



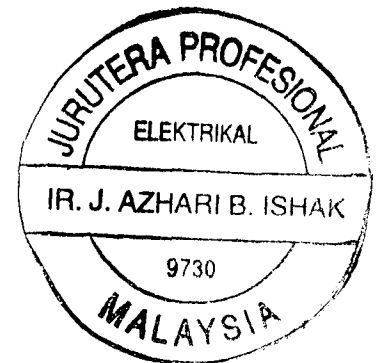
**TENAGA
NASIONAL BERHAD**

129, Jalan Bangsar, 50700 Kuala Lumpur

**SUPPLY, DELIVER, INSTALL, TESTING AND COMMISSIONING
OF ELV INSTALLATION FOR SECTOR C
STUDENT APARTMENT SA3-1, SA3-2 & MS
(INTERNAL TELEPHONE)**
CADANGAN MEREKABENTUK, MEMBINA DAN MENYIAPKAN
KOMPLEKS UNITEN TNB FASA KEDUA DIATAS LOT 559, SEBAHAGIAN
LOT 1054 DAN DI SEBAHAGIAN LOT 1413, MUKIM DENGKIL DAERAH
SEPANG, SELANGOR DARUL EHSAN

KONTRAK NO: TNB 323/97

**AS-BUILT DRAWINGS
TELEPHONE INSTALLATION
BUILDING LAYOUT & SCHEMATIC**



EMPLOYER'S AGENT

TNB PROPERTIES SDN. BHD.
ARAS 4 & 4, BLOCK C, TENGAH
PUSAT BANDAR DAMANSARA
50490 KUALA LUMPUR

TEL. NO: 03-2555677

TURNKEY CONTRACTOR

PERANGSANG INTERNATIONAL SDN. BHD.
TINGKAT 15, PLAZA PERANGSANG
PERSIARAN PERBANDARAN
40000 SHAH ALAM
SELANGOR DARUL EHSAN

TEL. NO: 03-55104462

CONSULTANT

PERUNDING HASHIM & NEH SDN.BHD.
62 & 64, JALAN SS2/72
43700 PETALING JAYA
SELANGOR DARUL EHSAN

TEL. NO: 03-7555088

CONTRACTOR

KEJURUTERAAN BROAD-WAY SDN. BHD.
NO. 29, JALAN JINTAN
TAMAN SUPREME, CHERAS
56100 KUALA LUMPUR

TEL. NO: 03-9317672

FAX NO: 03-9319735

**AS-BUILT DRAWINGS
TELEPHONE INSTALLATION
BUILDING LAYOUT & SCHEMATIC**

- PHNEH 253/T/SA-3-1/1/1
- PHNEH 253/T/SA-3-1/1/2
- PHNEH 253/T/SA-3-1/1/3
- PHNEH 253/T/SA-3-2/1/1
- PHNEH 253/T/SA-3-2/1/2
- PHNEH 253/T/SA-3-2/1/3
- PHNEH 253/T/MS/1/1
- PHNEH 253/T/MS/1/2

CADANGAN PEMBANGUNAN KOMPLEKS BARU (FASA 2) INSTITUT KEJURUTERAAN TEKNOLOGI TENAGA NASIONAL (IKATAN) DI ATAS LOT - LOT PT 566, 567, 568, 569, 570, 572, 573, 1050, 1051, 1054, 1067, 1165, 1166, 1168, 1169, 1170, 1171, 1172, 1173, 1174 DAN SEBAHAGIAN LOT PT 559 JALAN PUCHONG, MUKIM DENGKIL, DAERAH SEPANG SELANGOR DARUL EHSAN Untuk TENAGA NASIONAL BERHAD

LEGEND

- TELEPHONE POINT OUTLET (RJ11) C/W FACE PLATE (300MM F.F.I. FOR TV ACTIVITY ROOM) (1000MM F.F.I. FOR OFFICE.)
- PUBLIC TELEPHONE POINT C/W FACE PLATE (153MM FROM FIN. FLR.)
- RJ45 (BY OTHERS) (300MM F.F.I. FOR TV ACTIVITY ROOM) (1000MM F.F.I. FOR TYPICAL STUDENT & DISABLE APART.)

NOTE :

1. ALL TRUNKINGS & CONDUITS FROM TELEPHONE RISER TO TELEPHONE DATA OUTLET POINTS & RECESSED METAL CLAD BOX IS SUPPLY & INSTALL BY OTHERS CONTRACTORS.
2. FINAL WIRINGS FROM TELEPHONE DP TO TELEPHONE OUTLET POINTS INCLUDING TELEPHONE OUTLET POINTS (RJ11) FACE PLATE & TERMINATION SHALL BE SUPPLIED & INSTALL BY THIS CONTRACTORS.
3. ALL TELEPHONE INSTALLATION WORKS INSIDE MDF ROOM & TELEPHONE RISER (i.e. CABLE TRAY, DUCT, PHS, TEL. DP, CABLING & OTHER ACCESSORIES WORKS) SHALL BE SUPPLIED & INSTALLED BY THIS CONTRACTOR.

NOTA

BIL.	TARIKH	PERKARA

TANDATANGAN PEMILIK

PENCURUS PROJEK

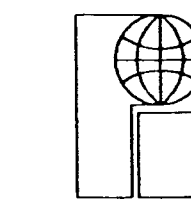
TENAGA NASIONAL PROPERTIES SDN.BHD.



Tingkat 3, Blok C, Tengah, Pusat Bandar Damansara, 50490 Kuala Lumpur
Tel: 03 296 5877 Fax: 03 296 6799

PERBORONG TURNKEY

PERANGSANG INTERNATIONAL SDN. BHD.



Tingkat 14, Plaza Perangsang, Persiaran Perangsang, Persiaran 40000 Shah Alam
Tel: 03 550 3583 Fax: 03 550 6742

Dengan Kerjasama :
TANDATANGAN AKITEK

MHD NAZAM MD KASSIM

Dip. Arch. Adv. Arch. (H.M.) Master in Urban Planning (Urban Design/Michigan) APAM
M.P.A. LAW No. A/M 23
"Saya menperakui bahawa segala butiran dalam plan-plan adalah menurut kehendak Undang-Undang Kecil Bangunan Seragam 1984 dan saya setuju untuk bertanggungjawab penuh dengan sewajarnya"



Suite 205, 2nd Flr, Wisma PerCorp, Jalan SS 17/1A, Subang Jaya, 47500 Petaling Jaya, Selangor Darul Ehsan
Tel: 03 752 0126 Fax: 03 752 0176

JURUTERA AWAM DAN STRUKTUR

PERUNDING (Consulting Engineers)



No. 9, Jalan SS 15/4C, Subang Jaya, 47500 Petaling Jaya, Selangor Darul Ehsan
Tel: 03 752 6829 Fax: 03 752 7921

JURUTERA MEKANIKA DAN ELEKTRIKAL

PERUNDING HASHIM & NEH SDN. BHD. (Jurutera Perunding)



47 & 43, Jalan SS 22/2, 47300 Petaling Jaya, Selangor Darul Ehsan
Tel: 03 752 5888 Fax: 03 752 5944

PERUNDING LANDSKAP

NR CONSULTANTS SDN. BHD.



Dan Berjaya Landscape/Interior/Planning
19-B, Jalan P5, 70/26, Bandar Sri Subang, 40150 Petaling Jaya, Selangor Darul Ehsan
Tel: 03 752 5639 Fax: 03 751 2820

TABUK LUKISAN

TELEFON INSTALLATION

TELEPHONE LAYOUT FOR GROUND FLOOR PLAN

SA-3-1: HIGHRISE STUDENT APARTMENT II STOREY 8 UNITS / FLOOR

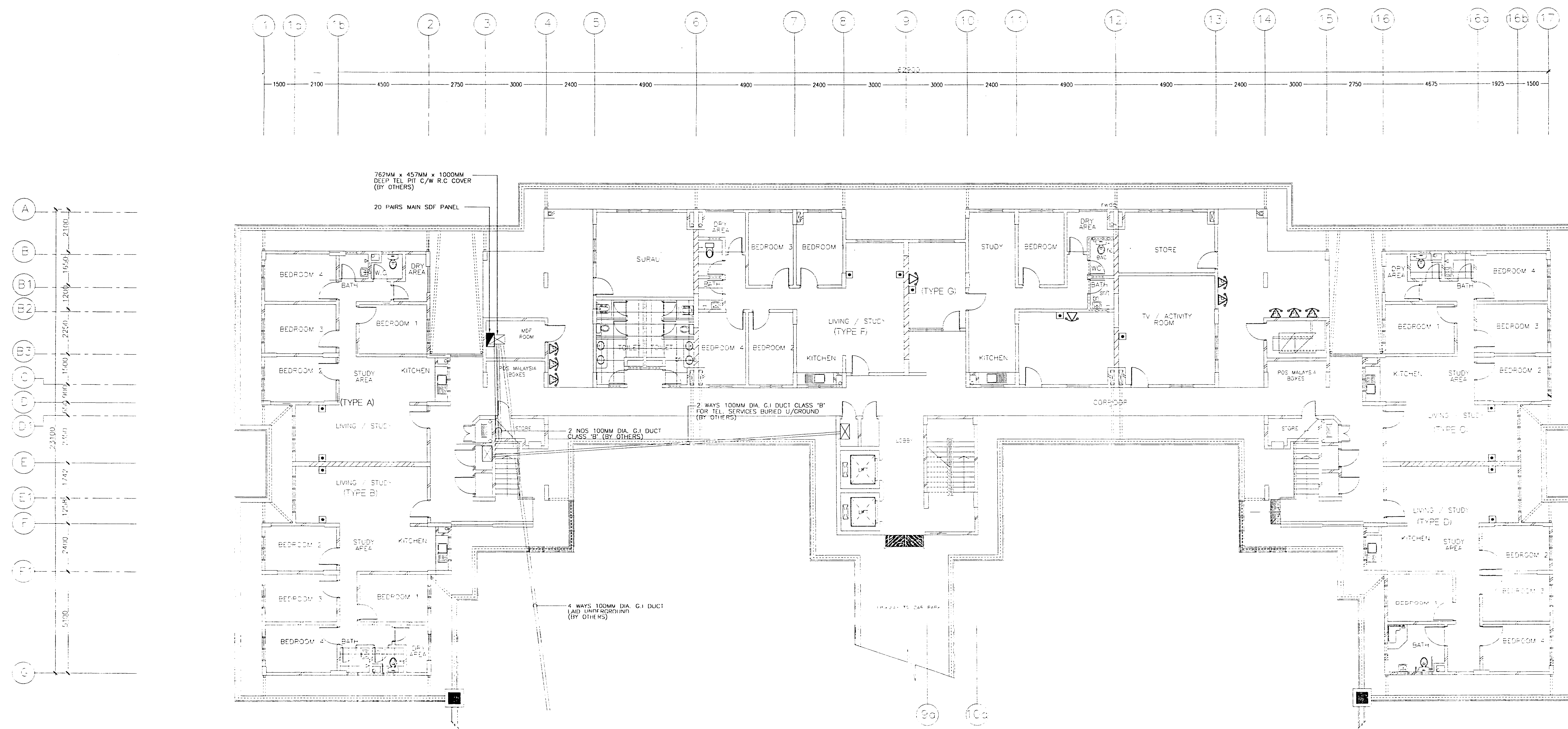
TARIKH : DIS. 1997 SKALA : 1 : 100

DILUKIS : FAUZYA DIPERIKSA OLEH : RAJA A/M

N.O. LUKISAN

PHNEH253 / T / SA - 3 - 1 / 1 / 1

This drawing is Copyright. All dimensions must be checked on site. Only figured dimensions are to be worked on. Discrepancies must be reported immediately to the Architect before proceeding.




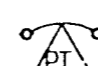

GROUND FLOOR PLAN

AS BUILT
DRAWING

P R O J E K

CADANGAN PEMBANGUNAN KOMPLEKS BARU (FASA 2) INSTITUT KEJURUTERAAN TEKNOLOGI TENAGA NASIONAL (IKATAN) DI ATAS LOT - LOT PT 566, 567, 568, 569, 570, 572, 573, 1050, 1051, 1054, 1067, 1165, 1166, 1168, 1169, 1170, 1171, 1172, 1173, 1174 DAN SEBAHAGIAN LOT PT 559 JALAN PUCHONG, MUKIM DENGKIL, DAERAH SEPANG SELANGOR DARUL EHSAN Untuk TENAGA NASIONAL BERHAD

LEGEND

-  TELEPHONE POINT OUTLET (RUBER C/W FACE PLATE) (000MM FFL FOR TV ACTIVITY ROOM) (000MM FFL FOR OFFICE)
-  PUBLIC TELEPHONE POINT C/W FACE PLATE (63MM FROM FIN FLOOR)
-  RUBS BY OTHERS (000MM FFL FOR TV ACTIVITY ROOM) (000MM FFL FOR TYPICAL STUDENT & DISABLE APART)

NOTE :

- 1 ALL TRUNKINGS & CONDUITS FROM TELEPHONE RERUN TO TELEPHONE DATA OUTLET POINTS & RECESSED METAL CABINETS SUPPLY & INSTALL BY OTHERS CONTRACTORS
- 2 FINAL WIRINGS FROM TELEPHONE DP TO TELEPHONE OUTLET POINTS INCLUDING TELEPHONE OUTLET POINTS RUBER FACE PLATE & TERMINATION SHALL BE SUPPLIED & INSTALLED BY THIS CONTRACTORS
- 3 ALL TELEPHONE INSTALLATION WORKS INSIDE MUF ROOM & TELEPHONE RERUN BY CABLE TRAY, DUCT, PITS, TEL DP, CABLES & OTHER ACCESSORIES WORKS SHALL BE SUPPLIED & INSTALLED BY THIS CONTRACTOR

NOTA

BIL.	TARIKH	PERKARA

TANDATANGAN PEMILIK

PENCURUS PROJEK

TENAGA NASIONAL PROPERTIES SDN.BHD.



Tingkat 3, Blok C, Tengah, Pusat Bandar Damansara, 50490 Kuala Lumpur
Tel: 03 225 5677 Fax: 03 225 8709

PEMBORONG TURNKEY

PERANGSANG INTERNATIONAL SDN. BHD.



Tingkat 14, Plaza Perangsang, Persiaran Perbangsan, 40000 Shah Alam
Tel: 03 550 3362 Fax: 03 550 3642

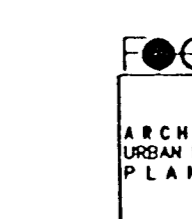
Dengan Kerjasama :

TANDATANGAN ARITEK

WONG AZAM MD KASSIM

Dir. Arch. Adv. Arch. (IM) Master in Urban Planning (Urban Design/Michigan) APAM
APK. LAM No: A/M/23

"Saya memperakui bahawa segala butiran dalam pelan-pelan adalah menurut kehendak Undang-Undang Kead Bangunan Sepang 1984 dan saya setuju teruna tanggungjawab pelan dengan sewajarnya"



Suite 2.05 2nd Fl. Wisma PadiCorp, Jalan SS 17/1A, Subang Jaya, 47500 Petaling Jaya, Selangor Darul Ehsan
Tel: 03 732 0126 Fax: 03 732 0126

JURUTERA AWAM DAN STRUKTUR

PERUNDING (Consulting Engineers)



No. 9, Jalan SS 15/4C, Subang Jaya, 47500 Petaling Jaya, Selangor Darul Ehsan
Tel: 03 733 6899 Fax: 03 734 7921

JURUTERA MEKANIKAL DAN ELETRIKAL

PERUNDING HASHIM & NEH SDN. BHD. (Jurutera Perunding)



62 & 63 Jalan SS 2/77, 47300 Petaling Jaya, Selangor Darul Ehsan
Tel: 03 755 5088 Fax: 03 755 5924

PERUNDING LANSKAP

NR CONSULTANTS SDN. BHD.



50a, Bangunan Arsitek, (International Plaza) 11th Fl, Jalan P2/10/24, Bandar 91, Klang, 48000 Petaling Jaya, Selangor Darul Ehsan
Tel: 03 736 5639 Fax: 03 731 2805

TAJUK LUKISAN

TELEPHONE INSTALLATION

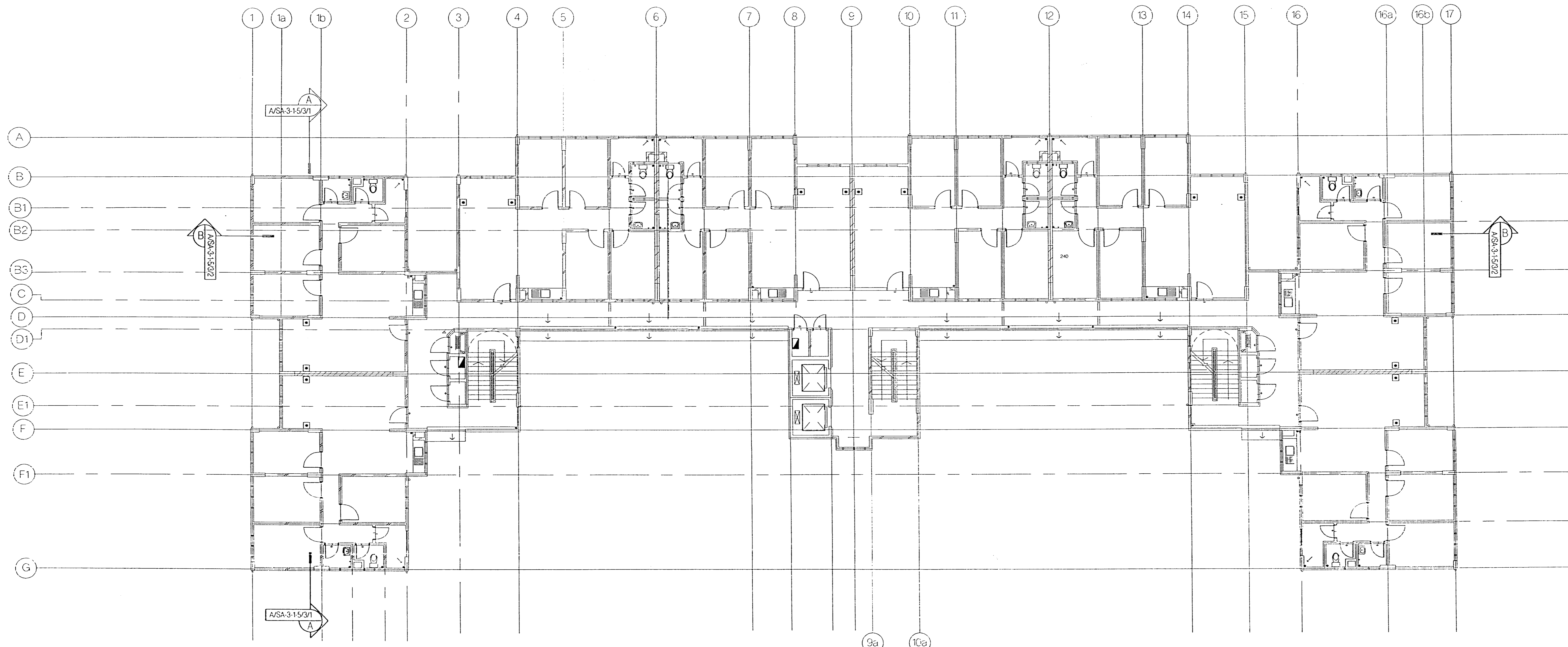
TELEPHONE LAYOUT FOR TYPICAL 1ST. - 9TH FLOOR PLAN

SA-3-1: HIGH RISE STUDENT APARTMENT 11 STOREY 8 UNITS / FLOOR

TARIKH : DIS. 1997 SKALA : 1 : 100
DILUKIS : FAUZAY DIPERIKSA OLEH : RAJA AZAM

NO. LUKISAN
PHNEH253 / T / SA - 3 - 1 / 1 / 2

This drawing is copyright. All dimensions must be checked on site. Only figures dimensions are to be worked on. Discrepancies must be reported immediately to the Architect before proceeding.



2ND, 3RD, 5TH, 6TH, 7TH, 8TH AND 9TH FLOOR PLAN

AS BUILT DRAWING

P R O J E K

CADANGAN PEMBANGUNAN KOMPLEKS BARU (FASA 2) INSTITUT KEJURUTERAAN TEKNOLOGI TENAGA NASIONAL (IKATAN) DI ATAS LOT - LOT PT 566, 567, 568, 569, 570, 572, 573, 1050, 1051, 1054, 1067, 1165, 1166, 1168, 1169, 1170, 1171, 1172, 1173, 1174 DAN SEBAHAGIAN LOT PT 559 JALAN PUCHONG, MUKIM DENGKIL, DAERAH SEPANG SELANGOR DARUL EHSAN Untuk TENAGA NASIONAL BERHAD

LEGEND

- TELEPHONE POINT OUTLET (RJ11) C/W FACE PLATE (300MM F.F.L FOR TV ACTIVITY ROOM) (1000MM F.F.L FOR OFFICE)
- PUBLIC TELEPHONE POINT C/W FACE PLATE (1534MM FROM FIN. FLR.)
- RJ45 (BY OTHERS) (300MM F.F.L FOR TV ACTIVITY ROOM) (1000MM F.F.L FOR TYPICAL STUDENT & DISABLE APART.)

NOTE :

1. ALL TRUNKINGS & CONDUITS FROM TELEPHONE RISER TO TELEPHONE DATA OUTLET POINTS & RECESSED METAL CLAD BOX IS SUPPLY & INSTALL BY OTHERS CONTRACTORS.
2. FINAL WIRINGS FROM TELEPHONE DP TO TELEPHONE OUTLET POINTS INCLUDING TELEPHONE OUTLET POINTS (RJ11), FACE PLATE & TERMINATION SHALL BE SUPPLIED & INSTALL BY THIS CONTRACTORS.
3. ALL TELEPHONE INSTALLATION WORKS INSIDE MDF ROOM & TELEPHONE RISER (i.e. CABLE TRAY, DUCT, PITS, TEL DP CABLING & OTHER ACCESSORIES WORKS) SHALL BE SUPPLIED & INSTALLED BY THIS CONTRACTOR.

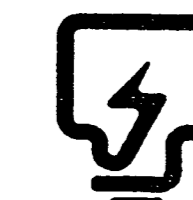
NOTA

BIL.	TARIKH	PERKARA

TANDATANGAN PEMILIK

PENGURUS PROJEK

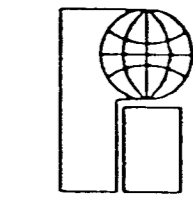
TENAGA NASIONAL PROPERTIES SDN.BHD.



Tingkat 3, Blok C, Tengah, Pusat Bandar Damansara, 50490 Kuala Lumpur
Tel: 03 255 5677 Fax: 03 255 6759

PEMBORONG TURNKEY

PERANGSANG INTERNATIONAL SDN. BHD.



Tingkat 14, Plaza Perangsang, Persiaran Perbandaran, 40000 Shah Alam
Tel: 03 550 3362 Fax: 03 550 3642

Dengan Kerjasama :

Ellis-Don

TANDATANGAN ARKITEK

MOHD NAZAM MO KASSIM
Dia Arch. Adv. Arch. (Ist) Master in Urban Planning (Urban Design/Michigan) APAM
APA LAM No: A/M 23

*Saya memperakui bahawa segala butiran dalam plan-plan adalah menurut ketentuan Undang-Undang Kecil Bangunan Sarang 1984 dan saya setuju terima tanggungjawab atas dengan sebarangnya



Suite 203 2nd Flr Wisma Pacific
Jalan SS 17/1A, Subang Jaya
47500 Petaling Jaya,
Selangor Darul Ehsan
Tel: 03-732 0128 Fax: 03-732 0126

JURUTERA AWAM DAN STRUKTUR

PERUNDING (Consulting Engineers)



No. 9, Jalan SS 15/4C, Subang Jaya,
47500 Petaling Jaya,
Selangor Darul Ehsan
Tel: 03 731 6899 Fax: 03 734 7921

JURUTERA MEKANIKAL DAN ELETRIKAL

PERUNDING HASHIM & NEH SDN. BHD. (Jurutera Perunding)



62 & 63 Jalan SS 2/72,
47300 Petaling Jaya,
Selangor Darul Ehsan
Tel: 03 755 5088 Fax: 03 755 5924

PERUNDING LANSKAP

NR CONSULTANTS SDN. BHD.



5th Stage, Jalan Karama, Petaling Jaya,
11800 Subang Jaya,
Selangor Darul Ehsan
Tel: 03 736 5639 Fax: 03 731 2605

TAJUK LUKISAN

TELEPHONE INSTALLATION

TELEPHONE LAYOUT FOR TYPICAL FOR 10TH FLOOR PLAN

SA - 3-1 : HIGH RISE STUDENT APARTMENT II STOREY, 8 UNIT / FLOOR

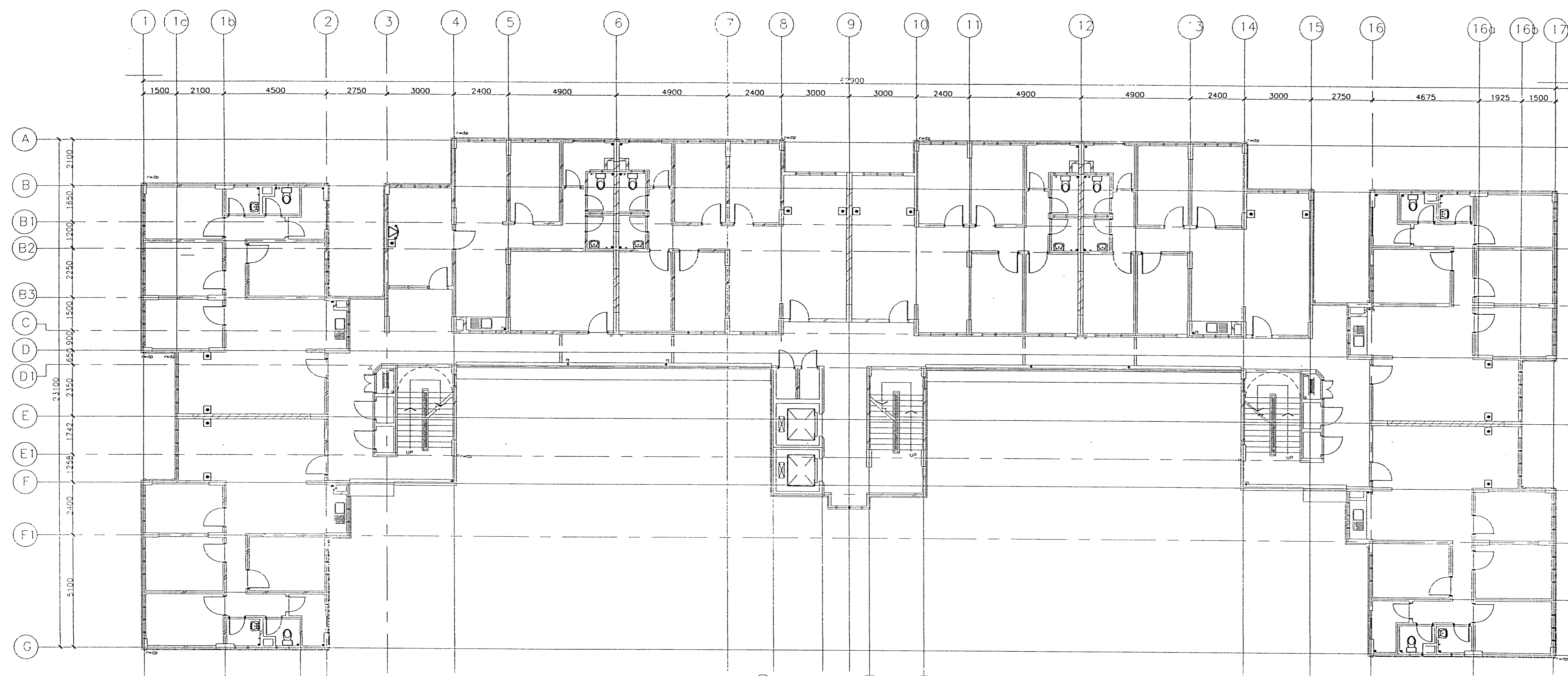
TARIKH : DIS. 1997 SKALA : 1 : 100

DILUKIS : FAUZAY DIPERIKSA OLEH : RAJA AZAM

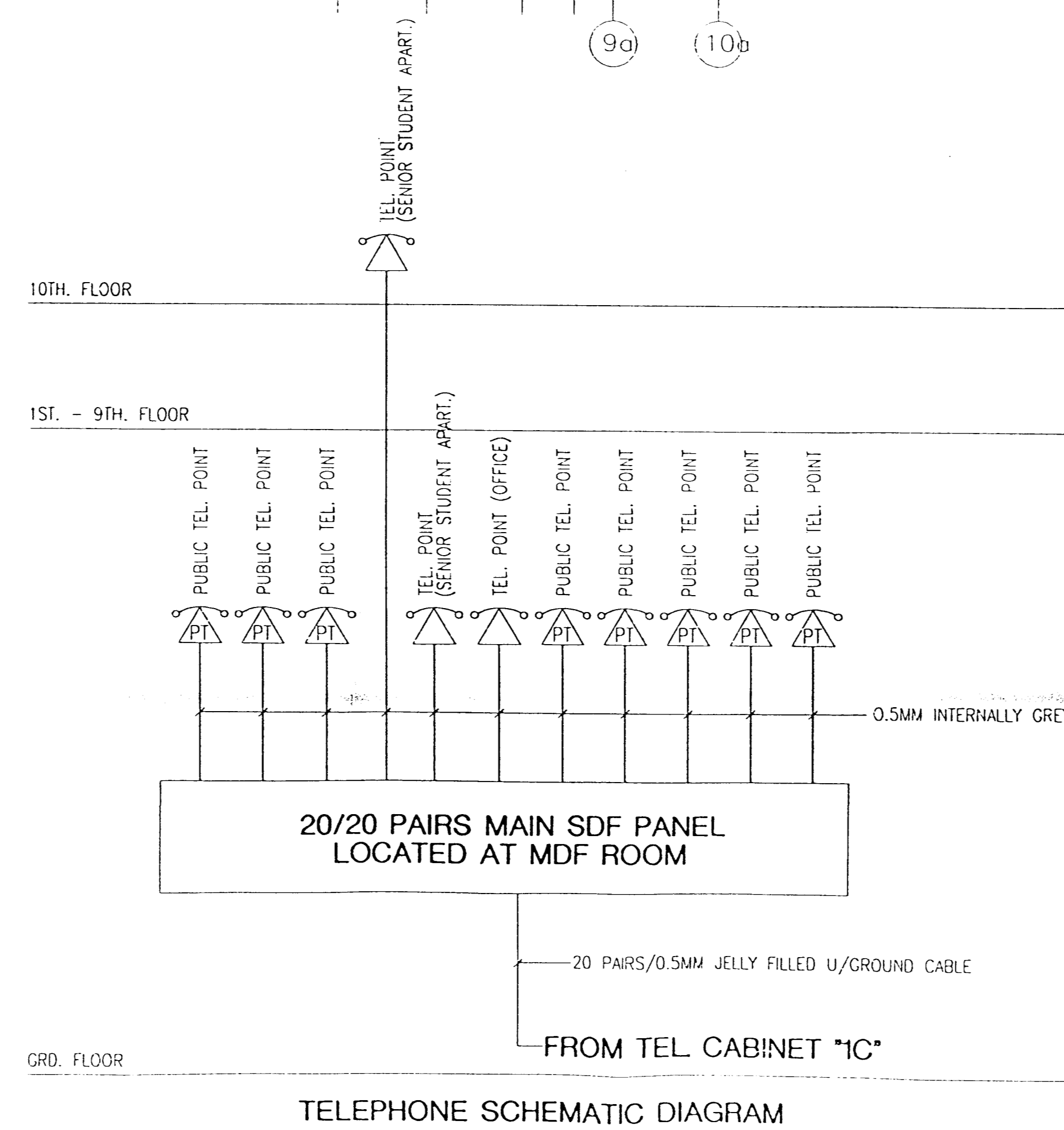
NO. LUKISAN

PHNEH253 / T / SA - 3 - 1 / 1 / 3

This drawing is copyright. All dimensions must be checked on site. Only figured dimensions are to be worked on. Discrepancies must be reported immediately to the Architect before proceeding.



10TH FLOOR PLAN



TELEPHONE SCHEMATIC DIAGRAM

AS BUILT DRAWING

D4

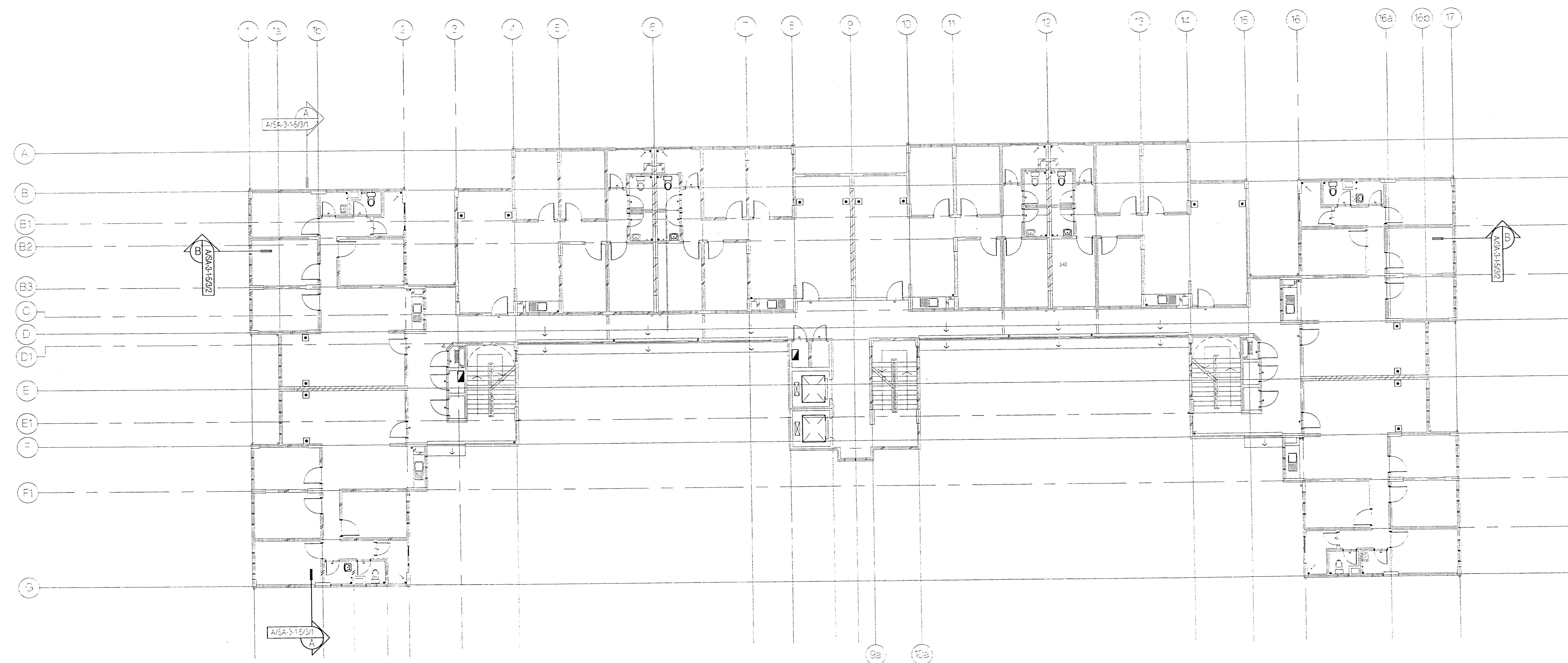
CADANGAN PEMBANGUNAN KOMPLEKS BARU (FASA 2) INSTITUT KEJURUTERAAN TEKNOLOGI TENAGA NASIONAL (IKATAN) DI ATAS LOT - LOT PT 566, 567, 568, 569, 570, 572, 573, 1050, 1051, 1054, 1067, 1165, 1166, 1168, 1169, 1170, 1171, 1172, 1173, 1174 DAN SEBAHAGIAN LOT PT 559 JALAN PUCHONG, MUKIM DENGKIL, DAERAH SEPANG SELANGOR DARUL EHSAN Untuk TENAGA NASIONAL BERHAD

LEGEND

- TELEPHONE POINT OUTLET BUTE C/W FACE PLATE (ROOM/F11 FOR TV ACTIVITY ROOM (ROOM/F11 FOR OFFICE))
- PUBLIC TELEPHONE POINT C/W FACE PLATE (ESKAMM FROM F11 FLR)
- PLUG BY OTHERS (ROOM/F11 FOR TV ACTIVITY ROOM (ROOM/F11 FOR TV ACTIVITY ROOM & DISABLE APART))

NOTE :

- 1 ALL TRUNKINGS & CONDUITS FROM TELEPHONE Riser TO TELEPHONE DATA OUTLET POINTS & RECESSED METAL CLOSET BOX TO SUPPLY & INSTALL BY OTHERS CONTRACTORS
- 2 FINAL WIRINGS FROM TELEPHONE DP TO TELEPHONE OUTLET POINTS INCLUDING TELEPHONE OUTLET POINTS BUTE FACE PLATE & TERMINATION SHALL BE SUPPLIED & INSTALLED BY THIS CONTRACTORS
- 3 ALL TELEPHONE INSTALLATION WORKS INSIDE MDF ROOM & TELEPHONE RISER & CABLE TRAY DUCT RYS, TEL DP, CABLING & OTHER ACCESSORIES WORKS SHALL BE SUPPLIED & INSTALLED BY THIS CONTRACTORS



1ST, 2ND, 3RD, 5TH, 6TH, 7TH, 8TH AND 9TH FLOOR PLAN

NOTA

BIL.	TARIKH	PERKARA

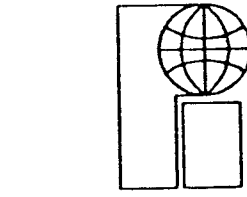
TANDATANGAN PEMILIK

PENGURUS PROJEK
TENAGA NASIONAL PROPERTIES SDN.BHD.



Tingkat 3, Blok C, Tengah,
Pusat Bandar Damansara,
50490 Kuala Lumpur
Tel: 03 255 5677 Fax: 03 255 6759

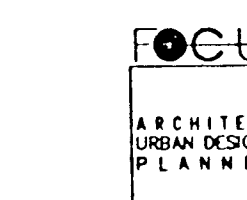
PEMBORONG TURNKEY
PERANGSANG INTERNATIONAL SDN. BHD.



Tingkat 14, Plaza Perangsang,
Persiaran Persekitaran,
40000 Shah Alam
Tel: 03 550 3392 Fax: 03 550 3642

Dengan Kerjasama :
TANDATANGAN AKITEK

MUHD NAZAM MD KASSIM
Dip. Arch. Adv. Arch. (ITM) Master in Urban
Planning (Urban Design, Michigan) APAM
M.A. LAM No. A/21 23
"Saya memperakui bahawa segala butiran dalam
perancangan adalah menurut kehendak Undang-Undang
Kecil-Bangunan Seragam 1984 dan saya setuju terima
tanggungjawab pelan dengan sewajarnya"

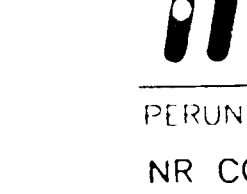


Suite 2.05 2nd Flr. Wema PodCorp
Jalan SS 17/1A, Subang Jaya,
47500 Petaling Jaya,
Selangor Darul Ehsan
Tel: 03-732 0128 Fax: 03-732 0126

JURUTERA AWAM DAN STRUKTUR
PERUNDING (Consulting Engineers)
BERSATU

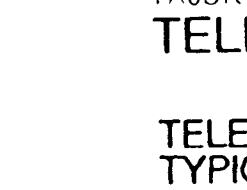
No. 8, Jalan SS 15/4C, Subang Jaya,
47500 Petaling Jaya,
Selangor Darul Ehsan
Tel: 03 733 8888 Fax: 03 734 7925

JURUTERA MEKANIKA DAN ELEKTRIKAL
PERUNDING HASHIM & NEH SDN. BHD. (Jurutera Perunding)



62 & 63, Jalan SS 2/22,
47300 Petaling Jaya,
Selangor Darul Ehsan
Tel: 03 760 5888 Fax: 03 760 5894

PERUNDING LANSKAP
NR CONSULTANTS SDN. BHD.



101, Jalan Puchong, Seksyen 17,
47100 Puchong, Selangor Darul Ehsan
Tel: 03 736 5638 Fax: 03 731 2802

TAJUK LUKISAN
TELEPHONE INSTALLATION

TELEPHONE LAYOUT FOR
TYPICAL 1ST - 9TH FLOOR PLAN
SA-3-2 : HIGH RISE STUDENT APARTMENT
11 STOREY 8 UNITS / FLOOR

TARIKH : DIS, 1997 SKALA : 1 : 100
DILUKIS : FAUZAY DIPERIKSA OLEH : RAJA AZAM

NO. LUKISAN
PHNEH253 / T / SA - 3 - 2 / 1 / 2

AS BUILT
DRAWING

This drawing is copyright. All dimensions must be checked on site.
Only figured dimensions are to be worked on. Discrepancies must
be reported immediately to the Architect before proceeding.

D6

F R O J E K

CADANGAN PEMBANGUNAN BARU (FASA 2) KOMPLEKS KEJURUTERAAN TEKNOLOGI TENAGA NASIONAL (IKATAN) DI ATAS LOT - LOT PT 566, 567, 568, 569, 570, 572, 573, 1050, 1051, 1054, 1067, 1165, 1166, 1168, 1169, 1170, 1171, 1172, 1173, 1174 DAN SEBAHAGIAN LOT PT 559 JALAN PUCHONG, MUKIM DENGKIL, DAERAH SEPANG SELANGOR DARUL EHSAN Untuk TENAGA NASIONAL BERHAD

LEGEND

- TELEPHONE POINT OUTLET (RJ11) C/W FACE PLATE (300MM F.F.L FOR TV ACTIVITY ROOM) (1000MM F.F.L FOR OFFICE)
- PUBLIC TELEPHONE POINT C/W FACE PLATE (1534MM FROM FIN. FLR.)
- RJ45 (BY OTHERS) (300MM F.F.L FOR TV ACTIVITY ROOM) (1000MM F.F.L FOR TYPICAL STUDENT & DISABLE APART.)

NOTE :

1. ALL DRAWINGS & CONDUITS FROM TELEPHONE RISER TO TELEPHONE - DATA OUTLET POINTS & RECESSED METAL CLAD BOX IS SUPPLY & INSTALL BY OTHERS CONTRACTORS.
2. FINAL WIRINGS FROM TELEPHONE DP TO TELEPHONE OUTLET POINTS INCLUDING TELEPHONE OUTLET POINTS (RJ11) FACE PLATE & TERMINATION SHALL BE SUPPLIED & INSTALLED BY THIS CONTRACTORS.
3. ALL TELEPHONE INSTALLATION WORKS INSIDE MDF ROOM & TELEPHONE RISER (i.e. CABLE TRAY, DUCT, PYS, TEL. DP, CABLING & OTHER ACCESSORIES WORKS) SHALL BE SUPPLIED & INSTALLED BY THIS CONTRACTOR.

NOTA

BIL.	TARIKH	PERKARA

TANDATANGAN PEMILIK

PENGURUS PROJEK
TENAGA NASIONAL PROPERTIES SDN.BHD.



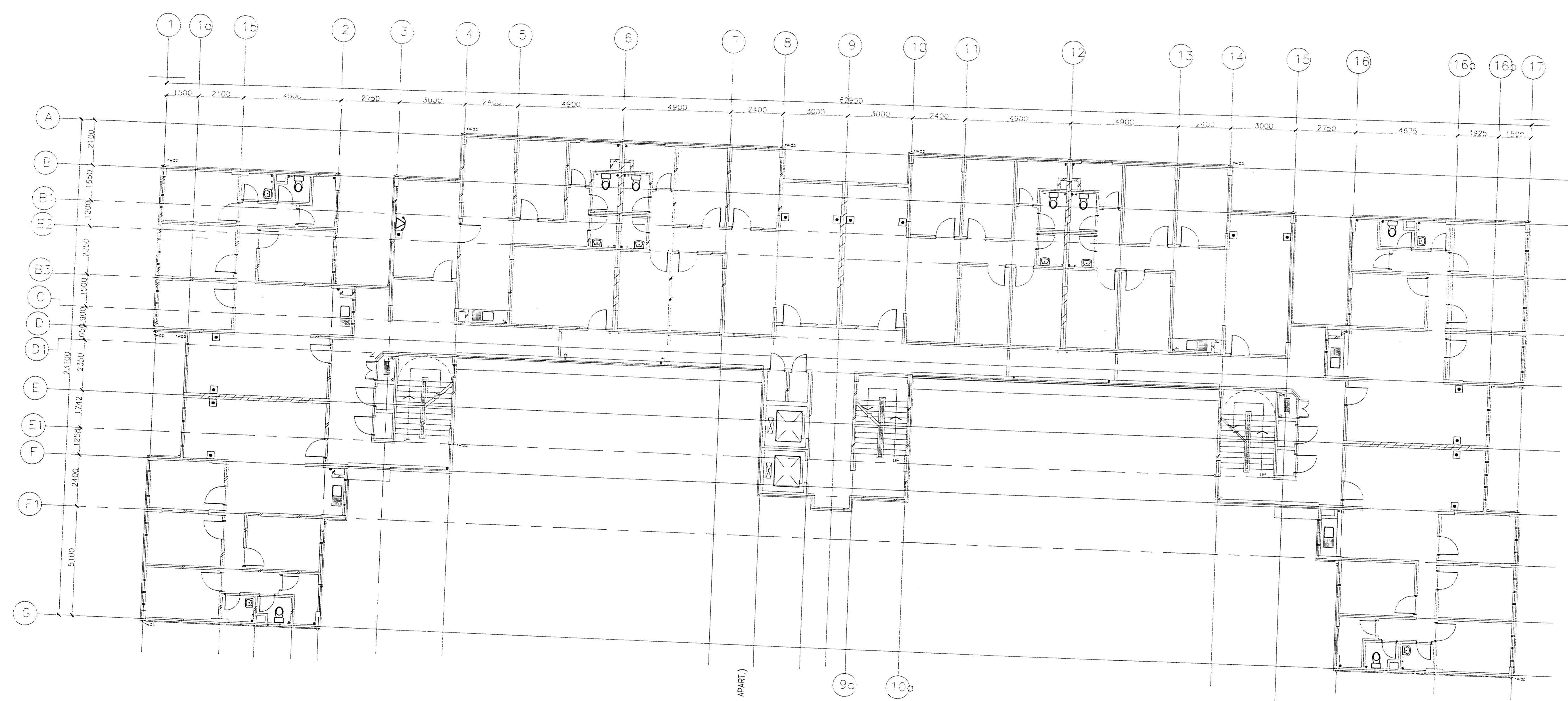
Tingkat 3, Blok C, Tengah,
Pusat Bandar Damansara,
50490, Kuala Lumpur
Tel:03 255 5677 Fax:03 255 6759

PERANGSANG INTERNATIONAL SDN. BHD.

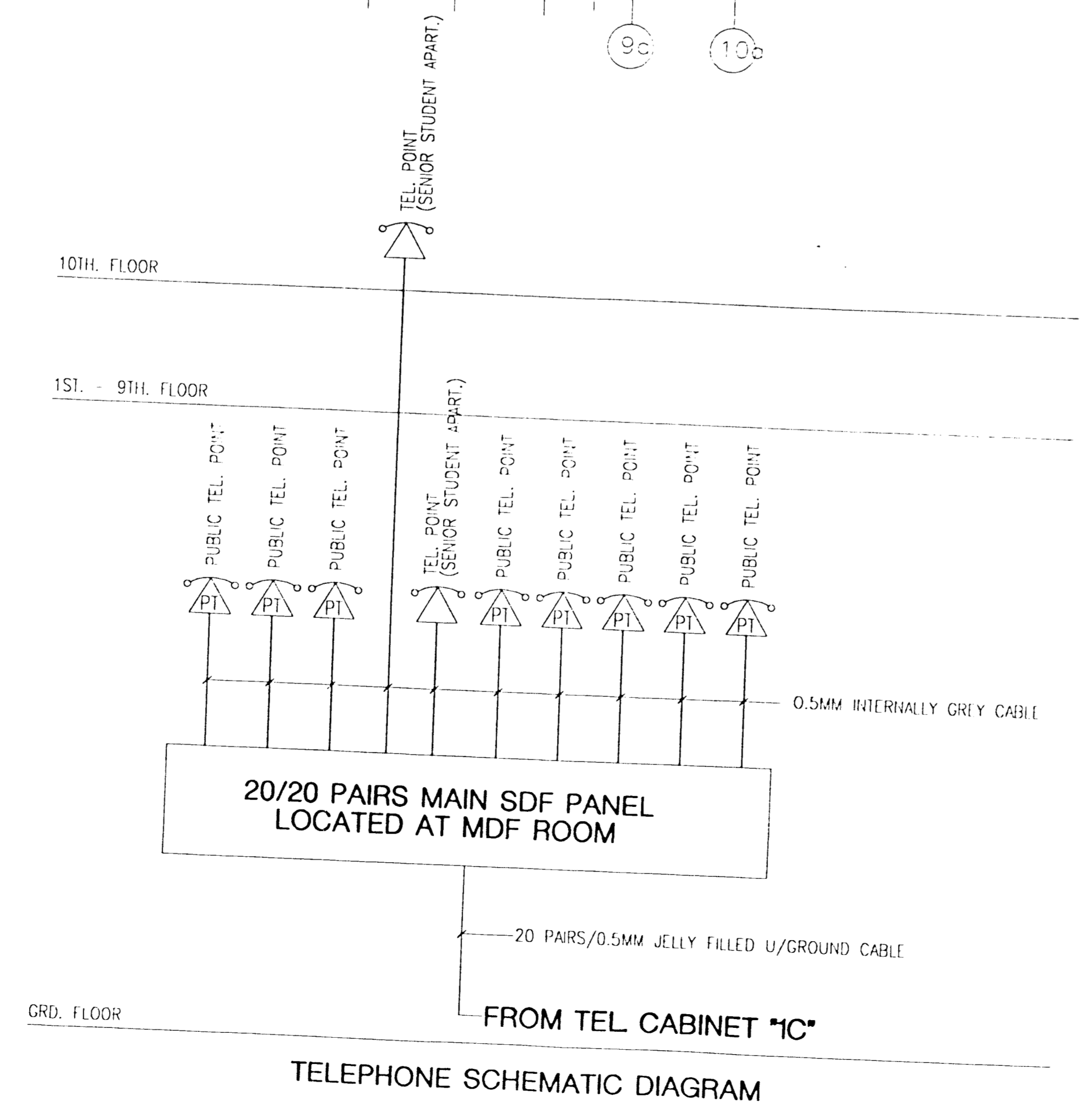


Tingkat 14, Plaza Perangsang,
Persiaran Perbandaran,
40000 Shah Alam,
Tel:03 550 3362 Fax:03 950 3642

Dengan Kerjasama : **Ellis-Don**
TANDATANGAN ARKITEK

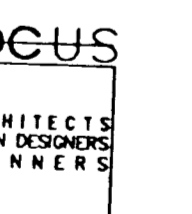


10TH FLOOR PLAN



TELEPHONE SCHEMATIC DIAGRAM

MOH'D NAZAM MD KASSIM
Dip. Arch. Adv. Arch. (196) Master in Urban Planning (Urban Design, Michigan) AFAM
APLA : LAI No: A/M 23
"Saya memperakui bahawa segala bualan dalam plan-plan adalah menurut Kertasah Undang-Undang Kaji-Bangunan Selangor 1984 dan saya, setuju terima tanggungjawab plan dengan sewajarnya"



Suite 2.05 2nd Fl. Wema PadiCorp
Jalan SS 17/1A, Subang Jaya
47500 Petaling Jaya
Selangor Darul Ehsan
Tel:03-251 0786 Fax:03-251 0796

JURUTERA AWAM DAN STRUKTUR
PERUNDING (Consulting Engineers)
BERSATU

No 9, Jalan SS 14/4C, Subang Jaya,
47500 Petaling Jaya,
Selangor Darul Ehsan
Tel:03 753 6896 Fax:03 756 7997

JURUTERA MEKANIKAL DAN ELETRIKAL
PERUNDING HASHIM & NEH SDN. BHD. (Jurutera Perunding)

62 & 63, Jalan SS 2/75,
47500 Petaling Jaya,
Selangor Darul Ehsan
Tel:03 755 5088 Fax:03 755 5826

PERUNDING LANDSKAP
NR CONSULTANTS SDN. BHD.

10th, 11th & 12th Floor, The Parkside,
110, Jalan PJS 11/15, Bandar Sri Petaling,
47500 Petaling Jaya,
Selangor Darul Ehsan
Tel:03 756 5639 Fax: 03 751 2620

TARJIK LUKISAN
TELEPHONE INSTALLATION

TELEPHONE LAYOUT FOR TYPICAL FOR 10TH FLOOR PLAN

SA - 3-2 : HIGH RISE STUDENT APARTMENT 11 STOREY, 8 UNIT / FLOOR

TARIKH : DIS. 1997 SKALA : 1 : 100
DIUKIS : FAUZYAH DIPERIKSA OLEH : RAJA AZAM

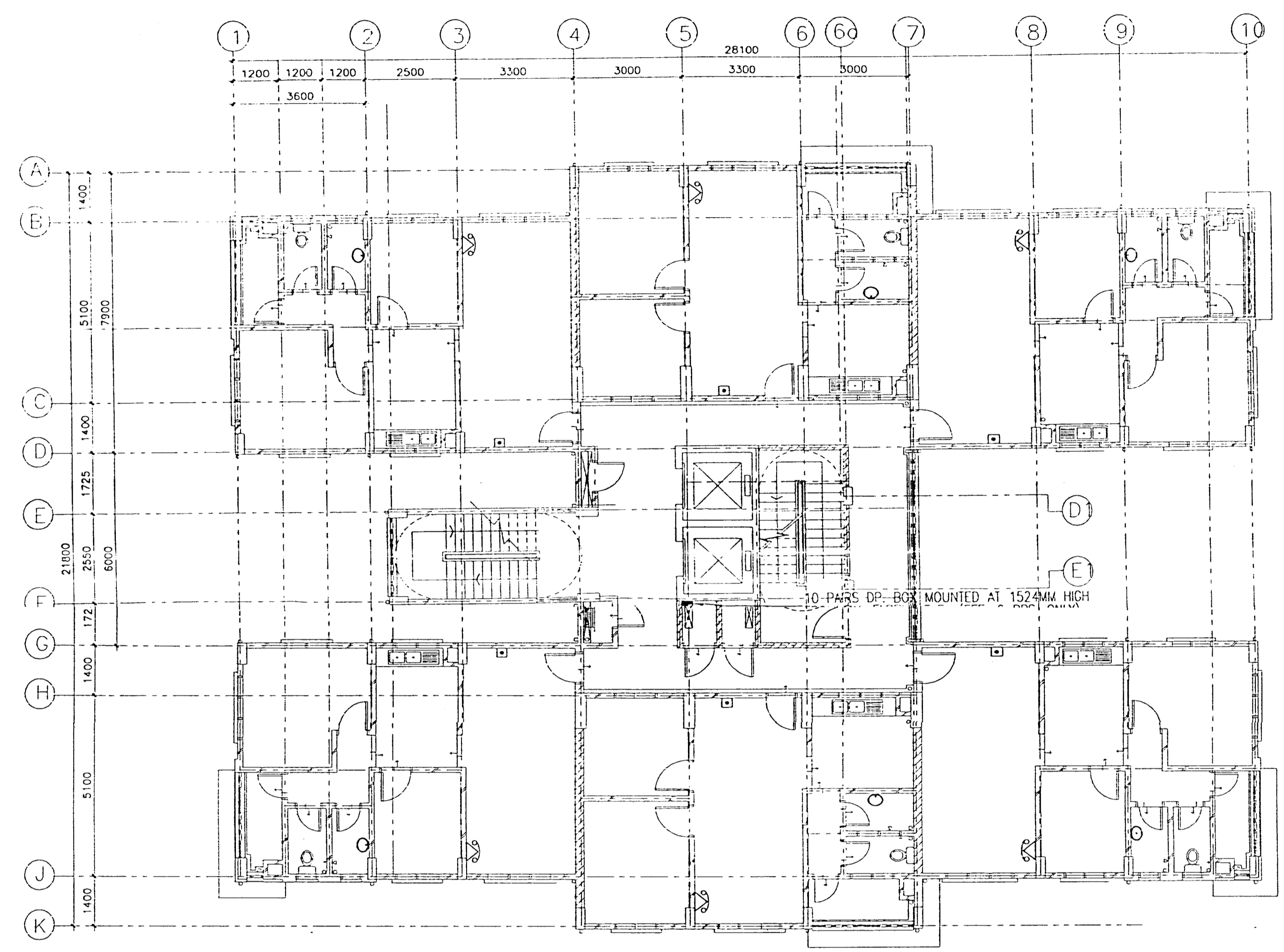
NO. LUKISAN
PHNEH253 / T / SA - 3 - 2 / 1 / 3

This drawing is copyright. All dimensions must be checked on site. Only figured dimensions are to be worked on. Discrepancies must be reported immediately to the Architect before proceeding.

AS BUILT DRAWING

P R O J E K

CADANGAN PEMBANGUNAN KOMPLEKS BARU (FASA 2) INSTITUT KEJURUTERAAN TEKNOLOGI TENAGA NASIONAL (IKATAN) DI ATAS LOT - LOT PT 566, 567, 568, 569, 570, 572, 573, 1050, 1051, 1054, 1067, 1165, 1166, 1168, 1169, 1170, 1171, 1172, 1173, 1174 DAN SEBAHAGIAN LOT PT 559 JALAN PUCHONG, MUKIM DENGKIL, DAERAH SEPANG SELANGOR DARUL EHSAN Untuk TENAGA NASIONAL BERHAD



1ST - 6TH FLOOR PLAN

LEGEND

- TELEPHONE POINT OUTLET (R11) C/W FACE PLATE (300MM FROM FIN. FLOOR)
- PUBLIC TELEPHONE POINT C/W FACE PLATE (1534MM FROM FIN. FLR.)
- R14S (BY OTHERS) (300MM FROM FIN. FLR.)

NOTE :

1. ALL TRUNKINGS & CONDUITS FROM TELEPHONE RISER TO TELEPHONE, DATA OUTLET POINTS & RECESSED METAL CLAD BOX IS SUPPLY & INSTALL BY OTHERS CONTRACTORS.
2. FINAL WIRINGS FROM TELEPHONE DP TO TELEPHONE OUTLET POINTS INCLUDING TELEPHONE OUTLET POINTS (R11), FACE PLATE & TERMINATION SHALL BE SUPPLIED & INSTALL BY THIS CONTRACTORS.
3. ALL TELEPHONE INSTALLATION WORKS INSIDE MOF ROOM & TELEPHONE RISER (i.e. CABLE TRAY, DUCT, PITS, TEL. DP, CABLING & OTHER ACCESSORIES WORKS) SHALL BE SUPPLIED & INSTALLED BY THIS CONTRACTOR.

NOTA

BIL.	TARIKH	PERKARA

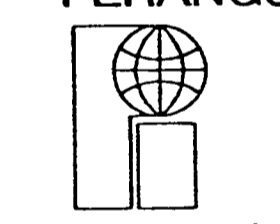
TANDATANGAN PEMILIK

PENCURUS PROJEK
TENAGA NASIONAL PROPERTIES SDN.BHD.



Tingkat 3, Blok C, Tengah,
Pusat Bandar Damansara,
50490 Kuala Lumpur
Tel:03 250 5677 Fax:03 250 6769

PEMBORONG TURNKEY
PERANGSANG INTERNATIONAL SDN. BHD.



Tingkat 14, Plaza Perangsang,
Persiaran Perbandaran,
40000 Shah Alam
Tel:03 550 3362 Fax:03 550 3642

Dengan Kerjasama :
TANDATANGAN AKITEK

Ellis-Don

MCHD NAZAM MD KASSIM
Dip. Arch. Advisor (EMA) Master in Urban Planning (Urban Design, Michigan) APAM
APA LAM No. A/M 23
"Saya memperakui bahawa segala butiran dalam pelan-pelan adalah menurut khidmat Undang-Undang Keil Bangunan Seragam 1984 dan saya setuju terima tanggungjawab pelan dengan sewajarnya"



Suite 2.05 2nd Flr Wisma PodCare
Jalan SS 17/1A Subang Jaya
47500 Petaling Jaya,
Selangor Darul Ehsan
Tel:03-732 0128 Fax:03-732 0126

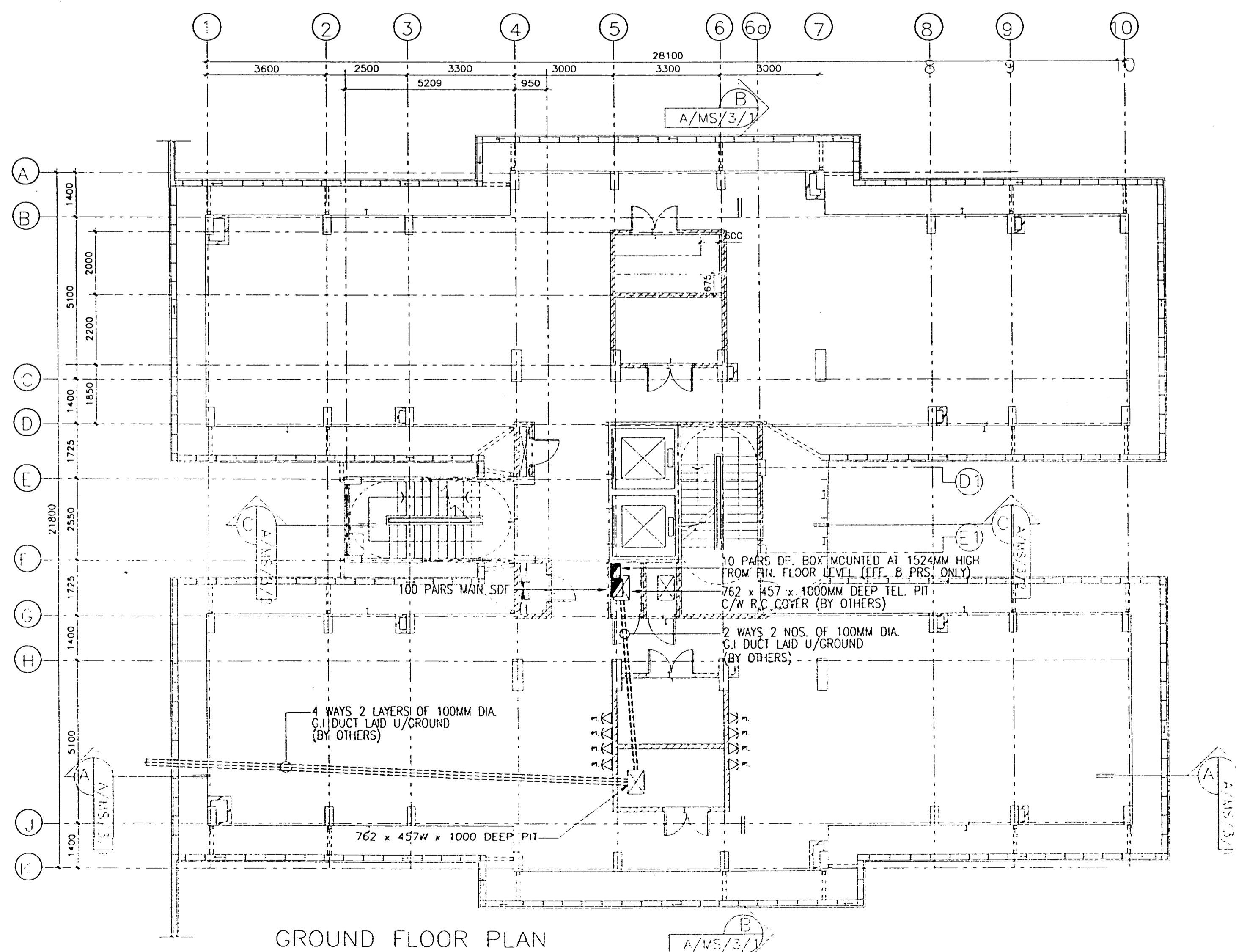
JURUTERA AWAM DAN STRUKTUR
PERUNDING (Consulting Engineers)
BERSATU
No 9, Jalan SS 15/4C, Subang Jaya,
47500 Petaling Jaya,
Selangor Darul Ehsan
Tel:03 733 6899 Fax:03 734 7921

JURUTERA MEKANIKAL DAN ELETRIKAL
PERUNDING HASHIM & NEH SDN. BHD. (Jurutera Perunding)
III
62 & 63, Jalan SS 2/22,
47300 Petaling Jaya,
Selangor Darul Ehsan
Tel:03 755 5088 Fax:03 755 5924

PERUNDING LANDSKAP
NR CONSULTANTS SDN. BHD.
NR
Ibn Badri Landscaping & Environmental Planning
19-B, Jalan P2 10/24, Bandar Sri Subang
46000 Petaling Jaya
Selangor Darul Ehsan
Tel:03 736 5639 Fax: 03 731 2805

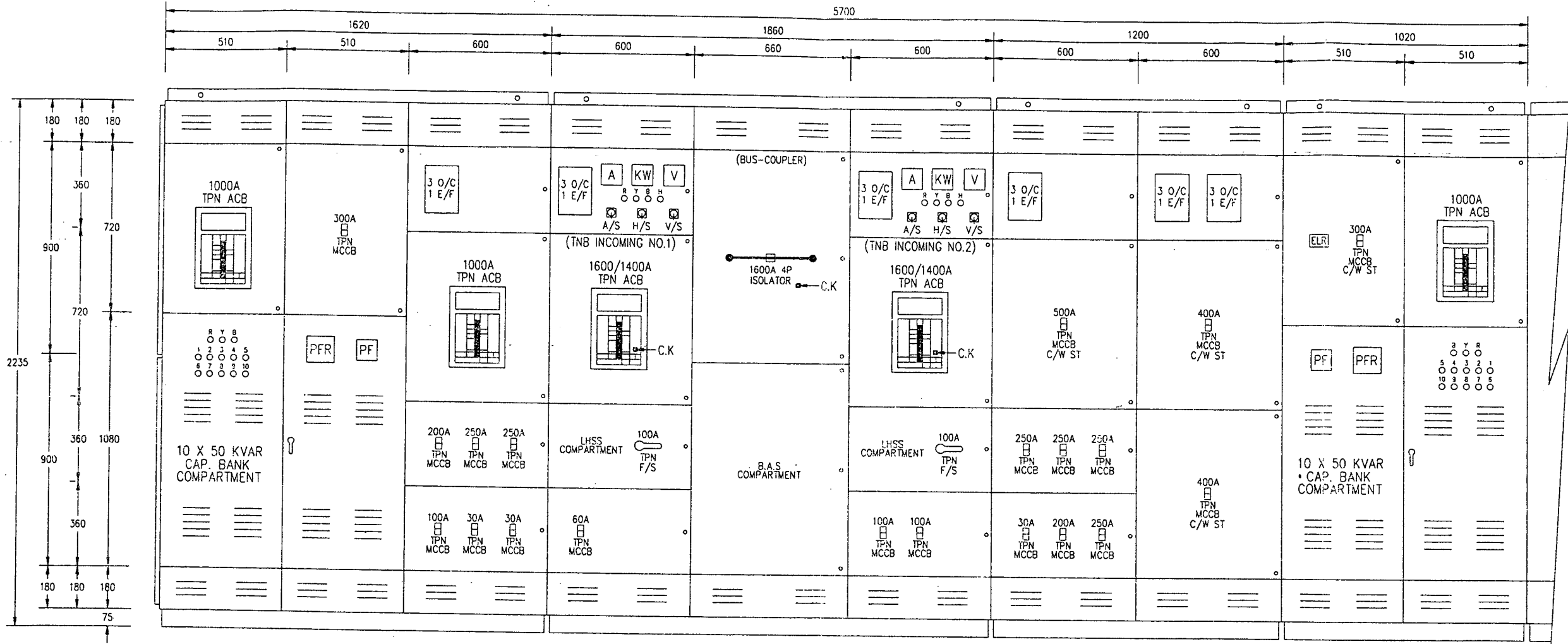
TAJUK LUKISAN
TELEPHONE INSTALLATION
TELEPHONE LAYOUT FOR
GROUND & TYPICAL 1ST. - 6TH FLOOR PLAN
MS : HIGH RISE MARRIED STUDENT APARTMENT
10TH STOREY 4 UNITS / FLOOR
TARIKH : DIS. 1997 SKALA : 1 : 100
DILUKIS : FAUZAY DIPERIKSA OLEH : RAJA AZAM
NO. LUKISAN
PHNEH253 / T / MS / 1 / 1

AS BUILT
DRAWING



GROUND FLOOR PLAN

This drawing is copyright. All dimensions must be checked on site. Only figured dimensions are to be worked on. Discrepancies must be reported immediately to the Architect before proceeding.



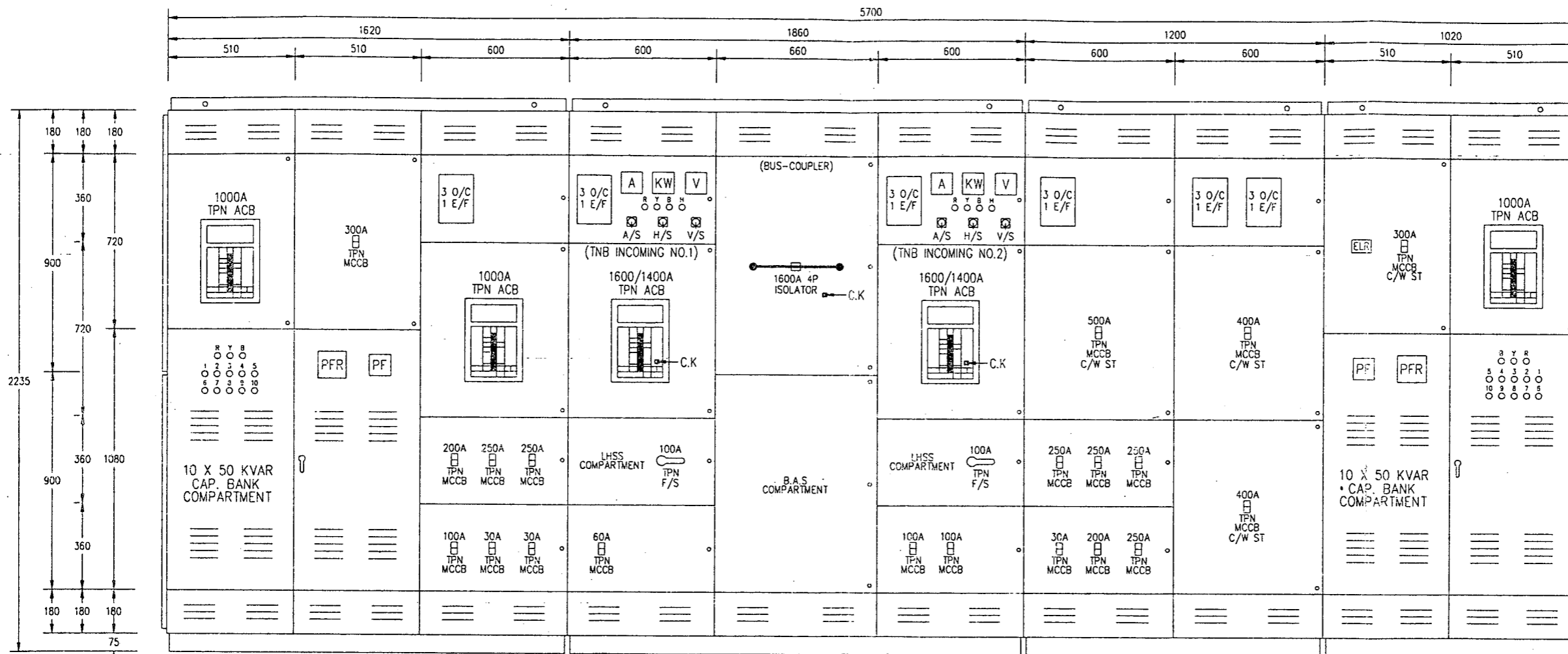
FRONT VIEW

CONTINUE TO NEXT SHEET
(REFER DRAWING NO.
SB 015/2/96-02)

CONSUMER'S MAIN SWITCHBOARD SE-1 & SE-2
(FLOOR STANDING MODULAR TYPE)

REV. NO.	DATE	DESCRIPTION OF AMENDMENT
A	14/5/96	ADD 6nos. 250A & 1no. 200A TPN MCCB

ELECTRICAL CONTRACTOR: SINAR LETRIK KEPONG SDN BHD NO.29,JALAN PJS 11/18, BANDAR SUNWAY, 46150 SELANGOR. TEL : 7318848 FAX : 7316108		CONSULTANT PERUNDING HASHIM & NEH SDN BHD. JURUTERA PERUNDING 62 & 63,JALAN SS2/72, 47300 PETALING JAYA,SELANGOR D.E. TEL : 7555088 FAX : 7555924		PROJECT: CADANGAN PEMBANGUNAN KOMPLEKS BARU INSTITUT KEJURUTERAAN TEKNOLOGI TENAGA NATIONAL (IKATAN) DI ATAS LOT PT 572,573,1164-1174 DAN DI SEBAHAGIAN LOT PT 559,566-570,1050,1051,1054 & 1413.MUKIM DENGKIL,BANGI,SELANGOR D.E. UNTUK TETUAN T.N.B.		MANUFACTURER: SUNCO SWITCHGEARS SDN. BHD. LOT NO. 14236, 6 1/2 MILES, JALAN PUCHONG, 58200 KUALA LUMPUR. TEL. NO.: 7920711 FAX. NO.: 7926867	
DRAWN: K S LOOI	DESIGNED:	DATE: 8/2/96	DATE OF ISSUED:	DRAWING TITLE: GENERAL ARRANGEMENT FOR CONSUMER'S MAIN SWITCHBOARD SE-1 & SE-2		JOB NO.: ST 689/11/95	REVISION NO.: A
CHECKED:	APPROVED:	SCALE: 1 TO 20	NO. OF SET: 1 OF 57			ACAD REF.: 9615-01	DRAWING NO.: SB 015/2/96-01



FRONT VIEW

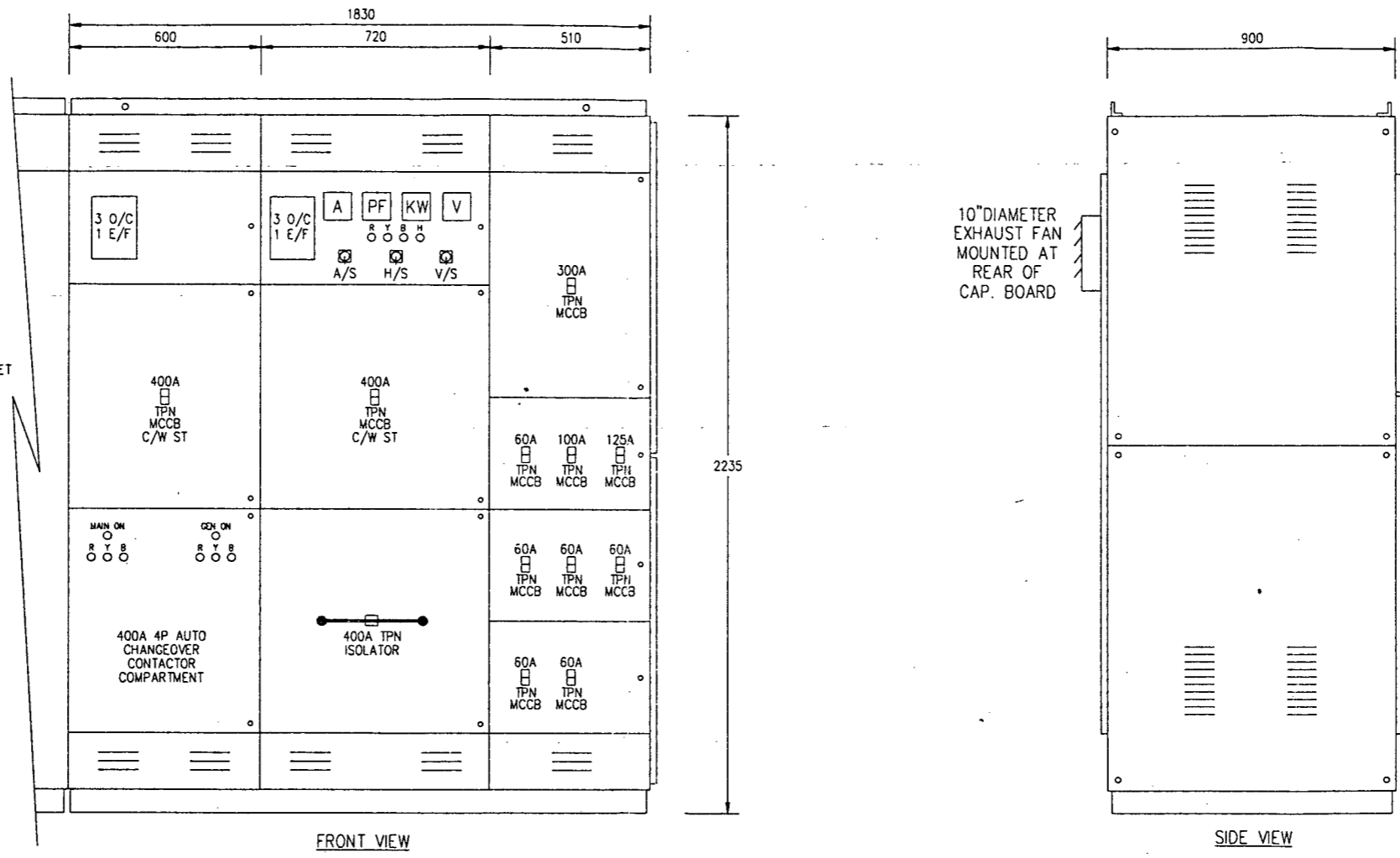
CONTINUE TO NEXT SHEET
(REFER DRAWING NO.
SB 015/2/96-02)

CONSUMER'S MAIN SWITCHBOARD SE-1 & SE-2
(FLOOR STANDING MODULAR TYPE)

REV. NO.	DATE	DESCRIPTION OF AMENDMENT
A	14/5/96	ADD 6nos. 250A & 1no. 200A TPN MCCB

ELECTRICAL CONTRACTOR: SINAR LETRIK KEPONG SDN BHD NO.29, JALAN PJS 11/18, BANDAR SUNWAY, 46150 SELANGOR. TEL : 7318848 FAX : 7316108		CONSULTANT PERUNDING HASHIM & NEH SDN BHD. JURUTERA PERUNDING 62 & 63, JALAN SS2/72, 47300 PETALING JAYA, SELANGOR D.E. TEL : 7555088 FAX : 7555924		PROJECT: CADANGAN PEMBANGUNAN KOMPLEKS BARU INSTITUT KEJURUTERAAN TEKNOLOGI TENAGA NATIONAL (IKATAN) DI ATAS LOT PT 572,573,1164-1174 DAN DI SEBAHAGIAN LOT PT 559,566-570,1050,1051,1054 & 1413.MUKIM DENGKIL, BANGI, SELANGOR D.E. UNTUK TETUAN T.N.B.		MANUFACTURER: SUNCO SWITCHGEARS SDN. BHD. LOT NO. 14236, 6 1/2 MILES, JALAN PUCHONG, 58200 KUALA LUMPUR. TEL. NO.: 7920711 FAX. NO.: 7926867	
DRAWN: K S LOOI	DESIGNED:	DATE: 8/2/96	DATE OF ISSUED:	DRAWING TITLE: GENERAL ARRANGEMENT FOR CONSUMER'S MAIN SWITCHBOARD SE-1 & SE-2	JOB NO.: ST 689/11/95	REVISION NO.:	A
CHECKED:	APPROVED:	SCALE: 1 TO 20	NG. OF SET: 1 OF 57		ACAD REF.: 9615-01	DRAWING NO.: SB 015/2/96-01	

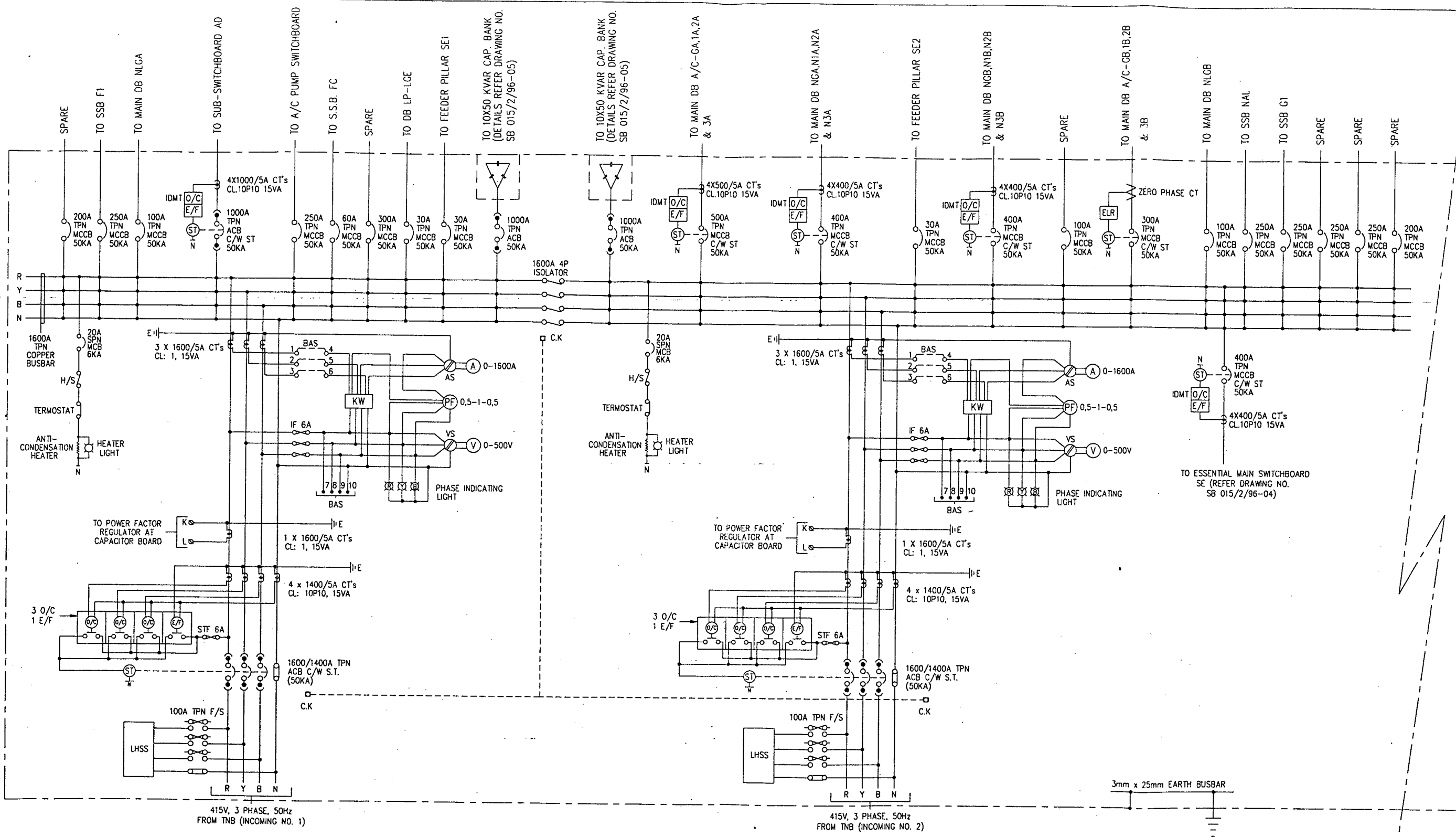
CONTINUE FROM PREVIOUS SHEET
(REFER DRAWING NO.
SB 015/2/96-01)



ESSENTIAL MAIN SWITCHBOARD SE
(FLOOR STANDING MODULAR TYPE)

REV. NO.	DATE	DESCRIPTION OF AMENDMENT
A	14/5/96	ADD 1no. 60A TPN MCCB

ELECTRICAL CONTRACTOR: SINAR LETRIK KEPONG SDN BHD NO.29, JALAN PJS 11/18, BANDAR SUNWAY, 46150 SELANGOR. TEL : 7318848 FAX :- 7316108		CONSULTANT PERUNDING HASHIM & NEH SDN BHD. JURUTERA PERUNDING 62 & 63, JALAN SS2/72, 47300 PETALING JAYA, SELANGOR D.E. TEL : 7555088 FAX : 7555924		PROJECT: CADANGAN PEMBANGUNAN KOMPLEKS BARU INSTITUT KEJURUTERAAN TEKNOLOGI TENAGA NATIONAL (IKATAN) DI ATAS LOT PT 572,573,1164-1174 DAN DI SEBAHAGIAN LOT-PT 559,566-570,1050,1051,1054 & 1413.MUKIM DENGKIL, BANGI, SELANGOR D.E. UNTUK TETUAN T.N.B.		MANUFACTURER: SUNCO SWITCHGEARS SDN. BHD. LOT NO. 14236, 6 1/2 MILES, JALAN PUCHONG, 58200 KUALA LUMPUR. TEL. NO.: 7920711 FAX. NO.: 7926867	
DRAWN: K S LOOI	DESIGNED:	DATE: 8/2/96	DATE OF ISSUED:	DRAWING TITLE: GENERAL ARRANGEMENT FOR ESSENTIAL MAIN SWITCHBOARD SE		JOB NO.: ST 689/11/95	REVISION NO.: A
CHECKED:	APPROVED:	SCALE: 1 TO 20	NO. OF SET: 2 OF 57			ACAD REF.: 9615-02	DRAWING NO.: SB 015/2/96-02

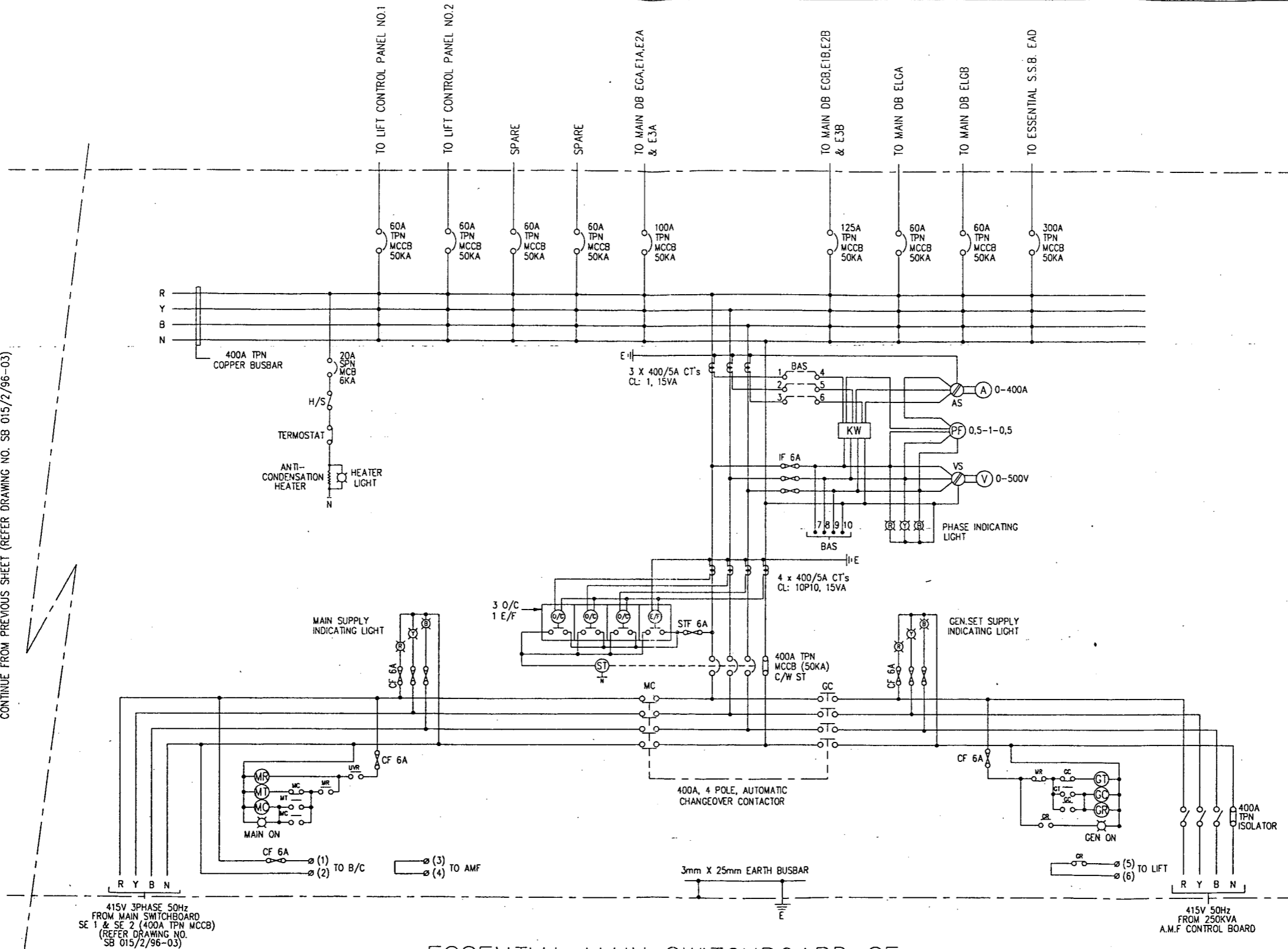


CONSUMER'S MAIN SWITCHBOARD SE-1 & SE-2

CONTINUE TO NEXT SHEET (REFER DRAWING NO. SB 015/2/96-04)

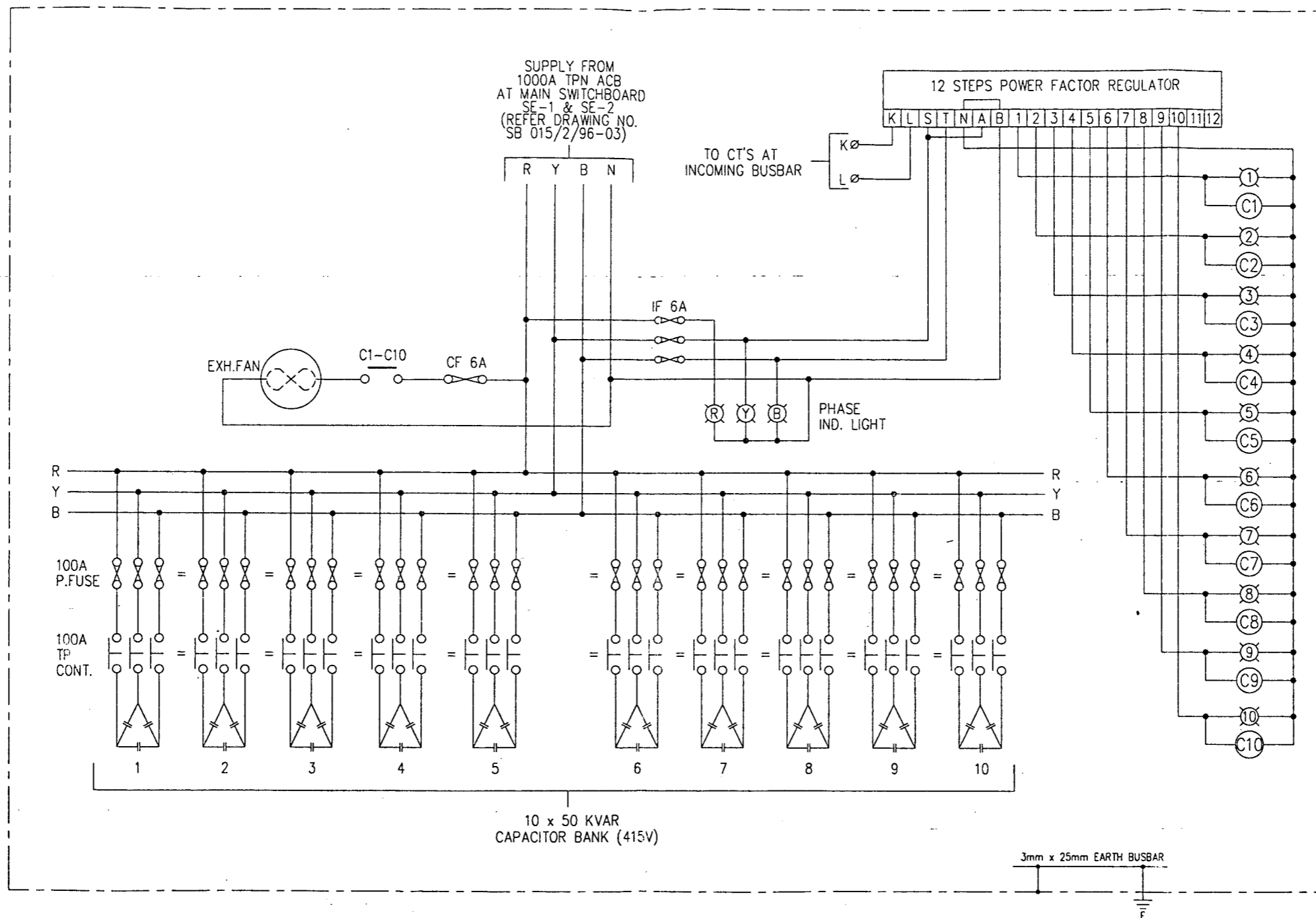
ELECTRICAL CONTRACTOR: SINAR LETRIK KEPONG SDN BHD NO.29,JALAN PJS 11/18, BANDAR SUNWAY, 46150 SELANGOR. TEL : 7318848 FAX : 7316108	CONSULTANT PERUNDING HASHIM & NEH SDN BHD. JURUTERA PERUNDING 62 & 63,JALAN SS2/72, 47300 PETALING JAYA,SELANGOR D.E. TEL : 7555088 FAX : 7555924	PROJECT: CADANGAN PEMBANGUNAN KOMPLEKS BARU INSTITUT KEJURUTERAAN TEKNOLOGI TENAGA NATIONAL (IKATAN) DI ATAS LOT PT 572,573,1164-1174 DAN DI SEBAHAGIAN LOT PT 559,566-570,1050,1051,1054 & 1413.MUKIM DENGKIL,BANGI,SELANGOR D.E.-UNTUK TETUAN T.N.B.	MANUFACTURER: SUNCO SWITCHGEARS SDN. BHD. LOT NO. 14236, 6 1/2 MILES, JALAN PUCHONG, 58200 KUALA LUMPUR. TEL. NO.: 7920711 FAX. NO.: 7926867	
DRAWN: K S LOOI CHECKED:	DESIGNED: APPROVED:	DATE: 8/2/96 SCALE: N.T.S	DATE OF ISSUED: NO. OF SET: 3 OF 57	DRAWING TITLE: SCHEMATIC DIAGRAM FOR CONSUMER'S MAIN SWITCHBOARD SE-1 & SE-2
		JOB NO.: ST 689/11/95		ACAD REF.: 9615-03
				DRAWING NO.: SB 015/2/96-03

CONTINUE FROM PREVIOUS SHEET (REFER DRAWING NO. SB 015/2/96-03)



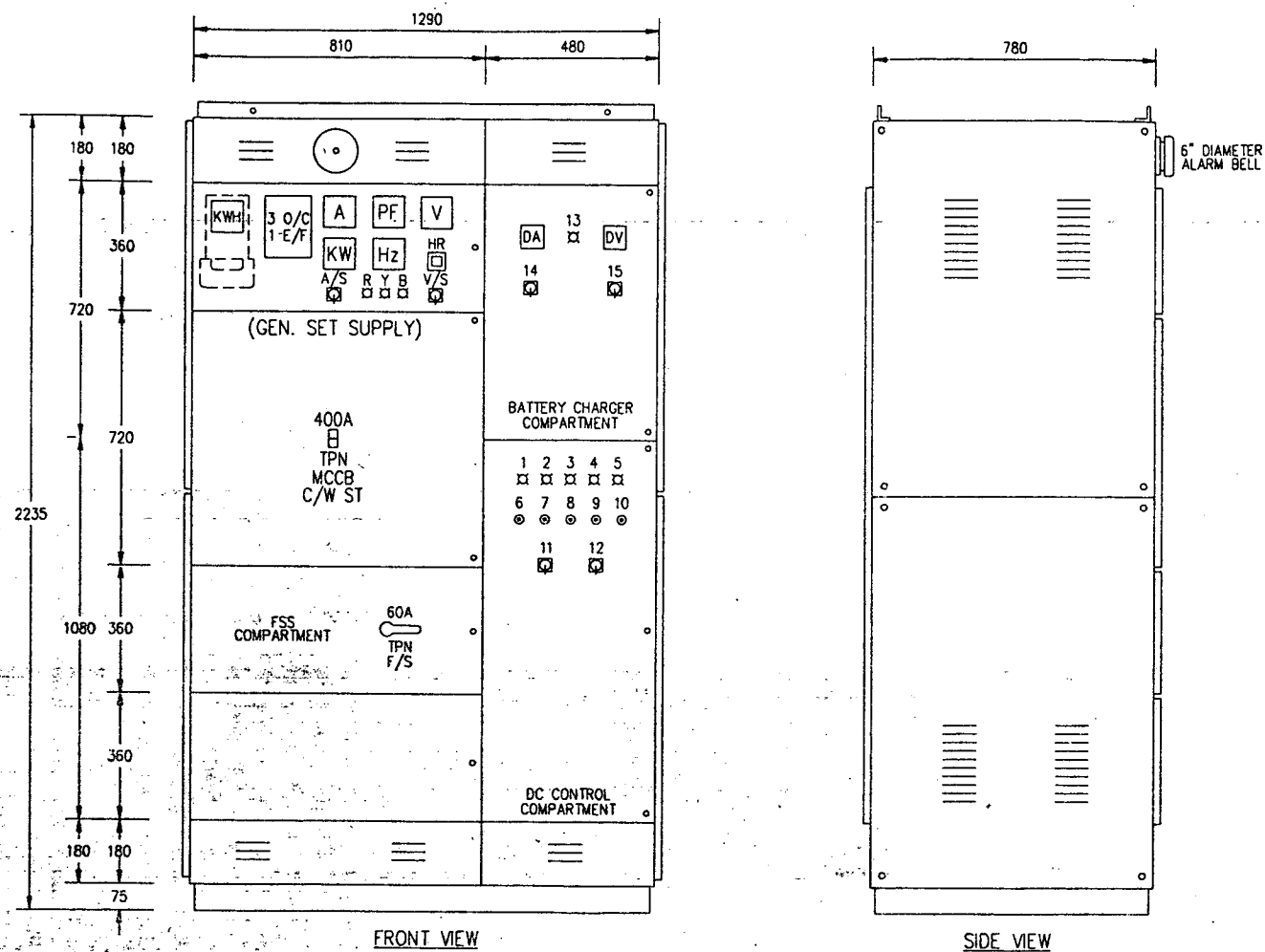
ESSENTIAL MAIN SWITCHBOARD SE

ELECTRICAL CONTRACTOR: SINAR LETRIK KEPONG SDN BHD NO.29, JALAN PJS 11/18, BANDAR SUNWAY, 46150 SELANGOR. TEL : 7318848 FAX : 7316108		CONSULTANT PERUNDING HASHIM & NEH SDN BHD. JURUTERA PERUNDING 62 & 63, JALAN SS2/72, 47300 PETALING JAYA, SELANGOR D.E. TEL : 7555088 FAX : 7555924		PROJECT: CADANGAN PEMBANGUNAN KOMPLEKS BARU INSTITUT KEJURUTERAAN TEKNOLOGI TENAGA NATIONAL (IKATAN) DI ATAS LOT PT 572,573,1164-1174 DAN DI SEBAHAGIAN LOT PT 559,566-570,1050,1051,1054 & 1413.MUKIM DENGKIL, BANGI, SELANGOR D.E. UNTUK TETUAN T.N.B.		MANUFACTURER: SUNCO SWITCHGEARS SDN. BHD. LOT NO. 14236, 6 1/2 MILES, JALAN PUCHONG, 58200 KUALA LUMPUR. TEL. NO.: 7920711 FAX. NO.: 7926867	
DRAWN: K S LOOI	DESIGNED:	DATE: 8/2/96	DATE OF ISSUED:	DRAWING TITLE: SCHEMATIC DIAGRAM FOR ESSENTIAL MAIN SWITCHBOARD SE	JOB NO.: ST 689/11/95		
CHECKED:	APPROVED:	SCALE: N.T.S	NO. OF SET: 4 OF 57		ACAD REF.: 9615-04	DRAWING NO.: SB 015/2/96-04	



10 X 50KVAR CAPACITOR BANK COMPARTMENT

ELECTRICAL CONTRACTOR: SINAR LETRIK KEPONG SDN BHD NO.29,JALAN PJS 11/18, BANDAR SUNWAY, 46150 SELANGOR. TEL : 7318848 FAX : 7316108		CONSULTANT PERUNDING HASHIM & NEH SDN BHD. JURUTERA PERUNDING 62 & 63,JALAN SS2/72, 47300 PETALING JAYA,SELANGOR D.E. TEL : 7555088 FAX : 7555924		PROJECT: CADANGAN PEMBANGUNAN KOMPLEKS BARU INSTITUT KEJURUTERAAN TEKNOLOGI TENAGA NATIONAL (IKATAN) DI ATAS LOT PT 572,573,1164-1174 DAN DI SEBAHAGIAN LOT PT 559,566-570,1050,1051,1054 & 1413.MUKIM DENGKIL,BANGI,SELANGOR D.E. UNTUK TETUAN T.N.B.		MANUFACTURER: SUNCO SWITCHGEARS SDN. BHD. LOT NO. 14236, 6 1/2 MILES, JALAN PUCHONG, 58200 KUALA LUMPUR. TEL: NO.: 7920711 FAX. NO.: 7926867	
DRAWN: K S LOOI	DESIGNED:	DATE: 8/2/96	DATE OF ISSUED:	DRAWING TITLE: SCHEMATIC DIAGRAM FOR 10 X 50KVAR CAPACITOR BANK	JOB NO.: ST 689/11/95		
CHECKED:	APPROVED:	SCALE: N.T.S	NO. OF SET: 5 OF 57		ACAD REF.: 9615-05	DRAWING NO.: SB 015/2/96-05	



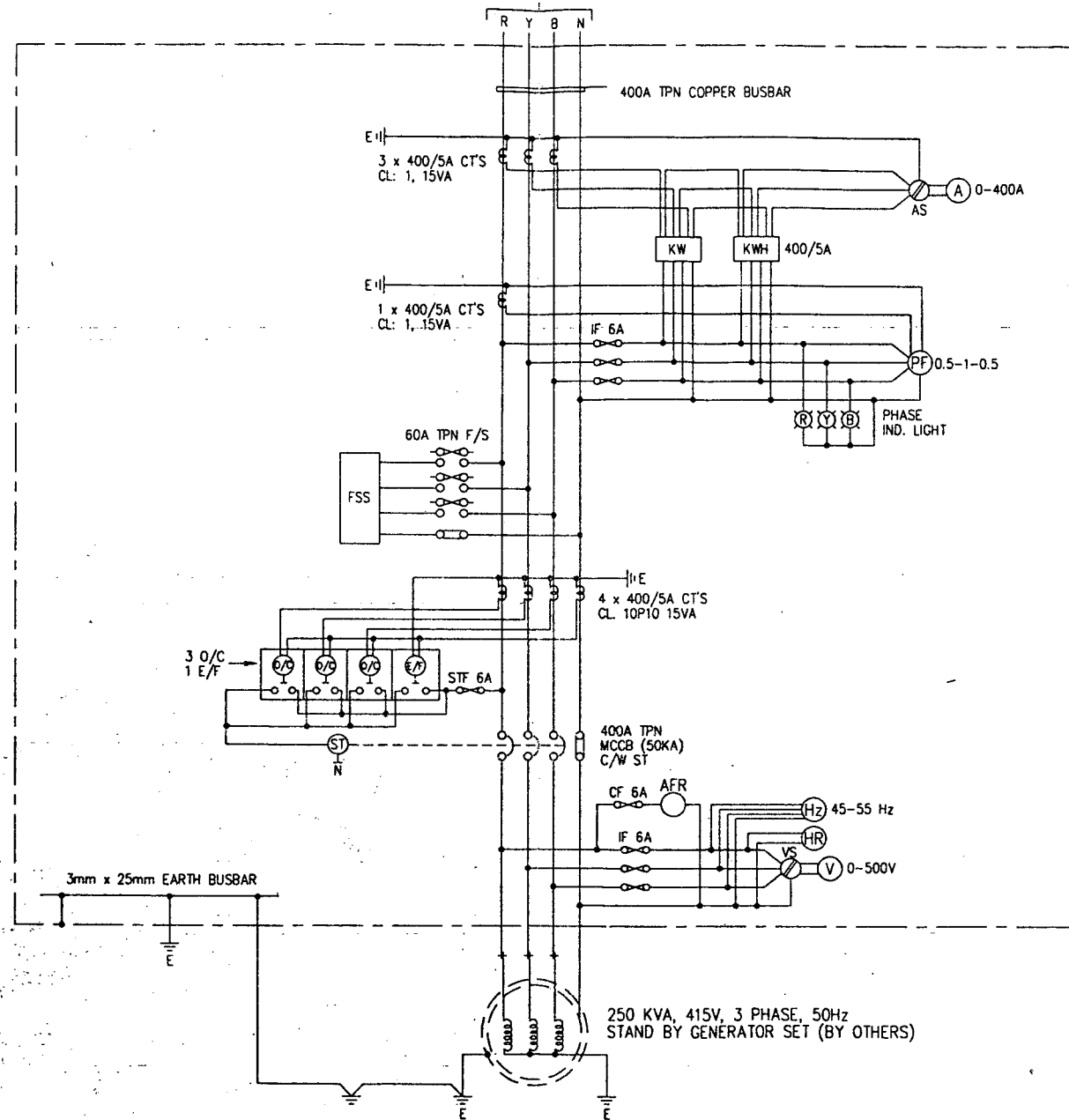
- LEGEND :-
- 1) FAIL TO START I/L
 - 2) LOW OIL PRESSURE I/L
 - 3) HIGH WATER TEMPERATURE I/L
 - 4) OVER SPEED I/L
 - 5) LOW FUEL LEVEL I/L
 - 6) START PUSH BUTTON
 - 7) RESET PUSH BUTTON
 - 8) ALARM CANCEL PUSH BUTTON
 - 9) LAMP TEST PUSH BUTTON
 - 10) EMERGENCY STOP PUSH BUTTON
 - 11) DC DP ON/OFF SWITCH
 - 12) AUTO/OFF/MANUAL/TEST SELECTOR SWITCH
 - 13) BATTERY CHARGER ON I/L
 - 14) BATTERY CHARGER ON/OFF SWITCH
 - 15) AUTO/BOOST SELECTOR SWITCH

250 KVA GEN. SET CONTROL PANEL

(FLOOR STANDING MODULAR TYPE)

ELECTRICAL CONTRACTOR: SINAR LETRIK KEPONG SDN BHD NO.29,JALAN PJS 11/18, BANDAR SUNWAY, 46150 SELANGOR. TEL : 7318848 FAX : 7316108		CONSULTANT PERUNDING HASHIM & NEH SDN BHD. JURUTERA PERUNDING 62 & 63,JALAN SS2/72, 47300 PETALING JAYA,SELANGOR D.E. TEL:-7555088 FAX : 7555924		PROJECT: CADANGAN PEMBANGUNAN KOMPLEKS BARU INSTITUT KEJURUTERAAN TEKNOLOGI TENAGA NATIONAL (IKATAN) DI ATAS LOT PT 572,573,1164-1174 DAN DI SEBAHAGIAN LOT PT 559,566-570,1050,1051,1054 & 1413.MUKIM DENGKIL,BANGI,SELANGOR D.E. UNTUK TETUAN T.N.B.		MANUFACTURER: SUNCO SWITCHGEARS SDN. BHD. LOT NO. 14236, 6 1/2 MILES, JALAN PUCHONG, 58200 KUALA LUMPUR. TEL. NO.: 7920711 FAX. NO.: 7926867	
DRAWN: K S LOOI	DESIGNED: - - -	DATE:- 8/2/96	DATE OF ISSUED:	DRAWING TITLE: GENERAL ARRANGEMENT FOR 250 KVA GEN. SET CONTROL PANEL	JOB NO.: ST 689/11/95		
CHECKED:	APPROVED:	SCALE: 1 TO 20	NO. OF SET: 6 OF 57	ACAD REF.: 9615-06		DRAWING NO.: SB 015/2/96-06	

415V 3 PHASE 50Hz SUPPLY
TO ESSENTIAL MAIN SWITCHBOARD SE
(REFER DRAWING NO. SB 015/2/96-04)



250 KVA GEN. SET CONTROL PANEL

ELECTRICAL CONTRACTOR:
SINAR LETRIK KEPONG SDN BHD
NO.29, JALAN PJS 11/18,
BANDAR SUNWAY,
46150 SELANGOR.
TEL : 7318848
FAX : 7316108

CONSULTANT
PERUNDING HASHIM & NEH SDN BHD.
JURUTERA PERUNDING
62 & 63, JALAN SS2/72,
47300 PETALING JAYA, SELANGOR D.E.
TEL : 7555088
FAX : 7555924

PROJECT:
CADANGAN PEMBANGUNAN KOMPLEKS BARU INSTITUT
KEJURUTERAAN TEKNOLOGI TENAGA NATIONAL (IKATAN)
DI ATAS LOT PT 572,573,1164-1174 DAN DI SEBAHAGIAN
LOT PT 559,566-570,1050,1051,1054 & 1413.MUKIM
DENGKIL, BANGI, SELANGOR D.E. UNTUK TETUAN T.N.B.

MANUFACTURER:
SUNCO SWITCHGEARS SDN. BHD.
LOT NO. 14236, 6 1/2 MILES,
JALAN PUCHONG,
58200 KUALA LUMPUR.
TEL. NO.: 7920711
FAX. NO.: 7926867

DRAWN: K_S LOOI

DESIGNED:

DATE: 8/2/96

DATE OF ISSUED:

DRAWING TITLE:

JOB NO.: ST 689/11/95

CHECKED:

APPROVED:

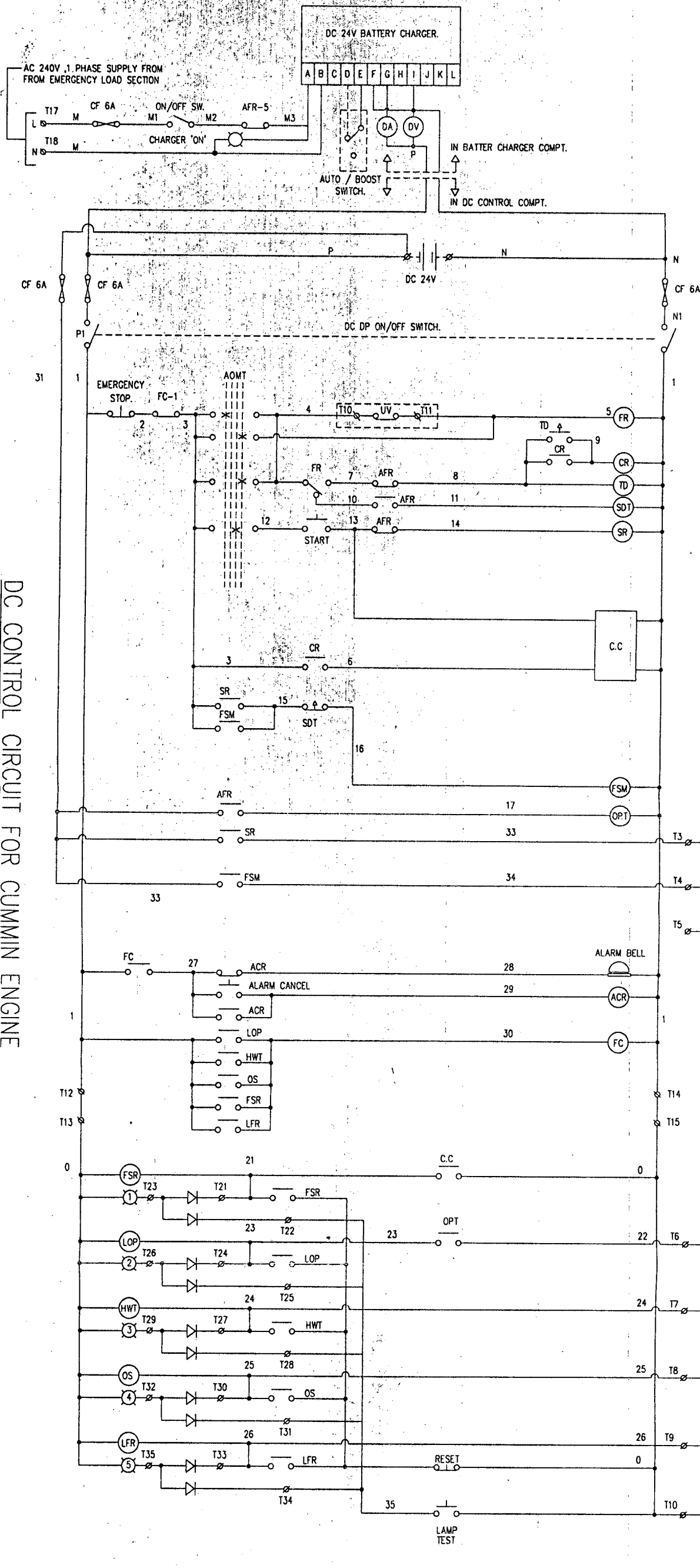
SCALE: N.T.S

NO. OF SET: 7 OF 57

SCHEMATIC DIAGRAM FOR 250 KVA GEN. SET CONTROL PANEL

ACAD REF.: 9615-07

DRAWING NO.: SB 015/2/96-07



DC CONTROL CIRCUIT FOR CUMMIN ENGINE

ELECTRICAL CONTRACTOR:
SINAR LETRIK KEPONG SDN BHD
 NO.29 JALAN PJS 11/18,
 BANDAR SUNWAY,
 46150 SELANGOR,
 TEL : 7318848
 FAX : 7316108

CONSULTANT
PERUNDING HASHIM & NEH SDN BHD.
 JURUTERA PERUNDING
 62 & 63, JALAN SS2/72,
 47300 PETALING JAYA, SELANGOR D.E.
 TEL : 7555088
 FAX : 7555924

PROJECT:
 CADANGAN PEMBANGUNAN KOMPLEKS BARU INSTITUT
 KEJURUTERAAN TEKNOLOGI TENAGA NATIONAL (IKATAN)
 DI ATAS LOT PT 572, 573, 1164-1174 DAN DI SEBAHAGIAN
 LOT PT 559, 566-570, 1050, 1051, 1054 & 1413, MUKIM
 DENGKIL BANGI, SELANGOR D.E. UNTUK TETUAN T.N.B.

MANUFACTURER:
SUNCO SWITCHGEARS SDN. BHD.
 LOT NO. 14236, 6 1/2 MILES,
 JALAN PUCHONG,
 58200 KUALA LUMPUR,
 TEL. NO.: 7920711
 FAX. NO.: 7926867

DRAWN: K S LOOI
CHECKED:

DESIGNED:
APPROVED:

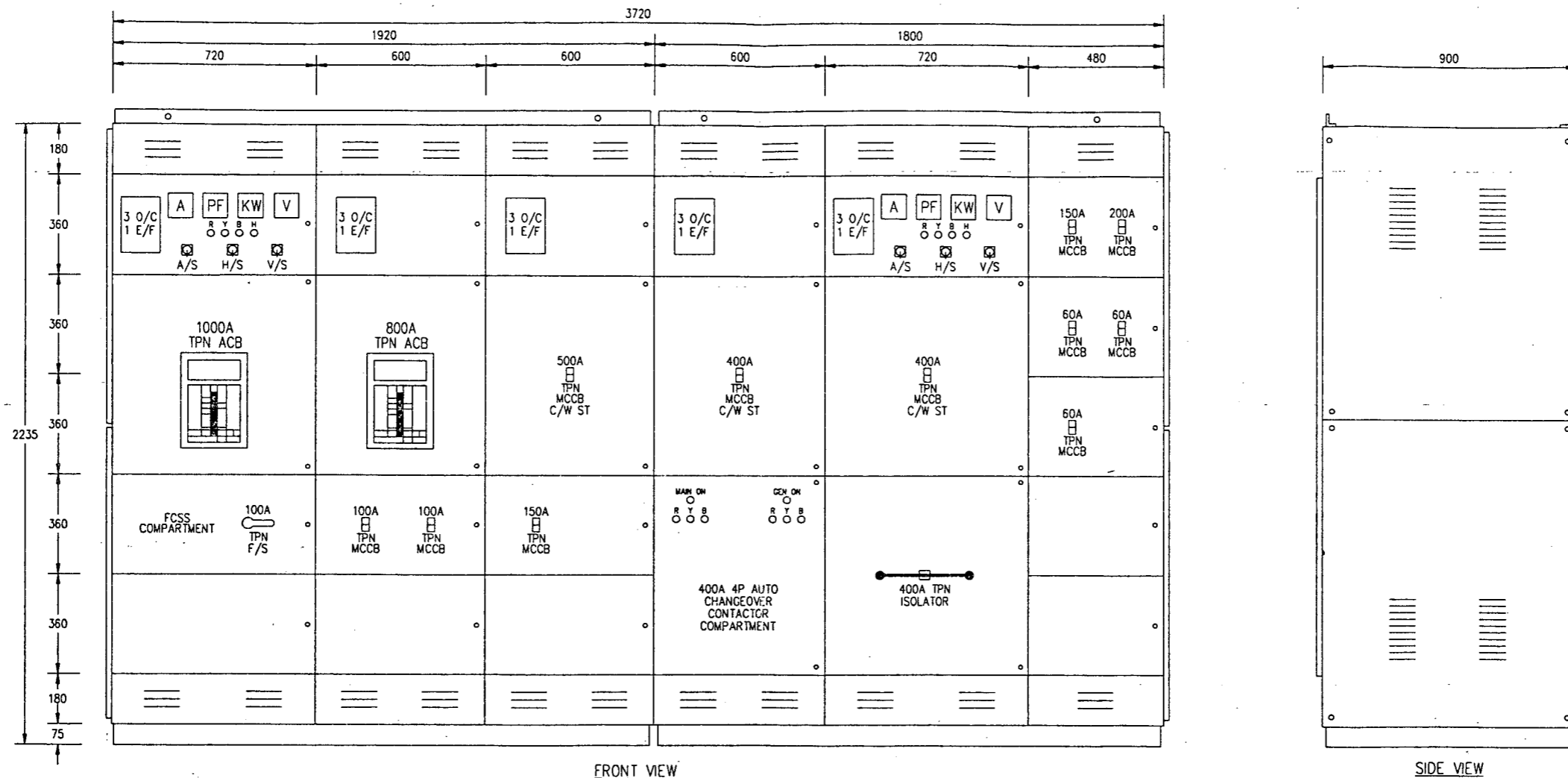
DATE: 8/2/96
SCALE: N.T.S

DATE OF ISSUED:
NO. OF SET: 8 OF 57

DRAWING TITLE:
 DC CONTROL CIRCUIT FOR 250 KVA GEN. SET CONTROL
 PANEL (FOR CUMMIN ENGINE)

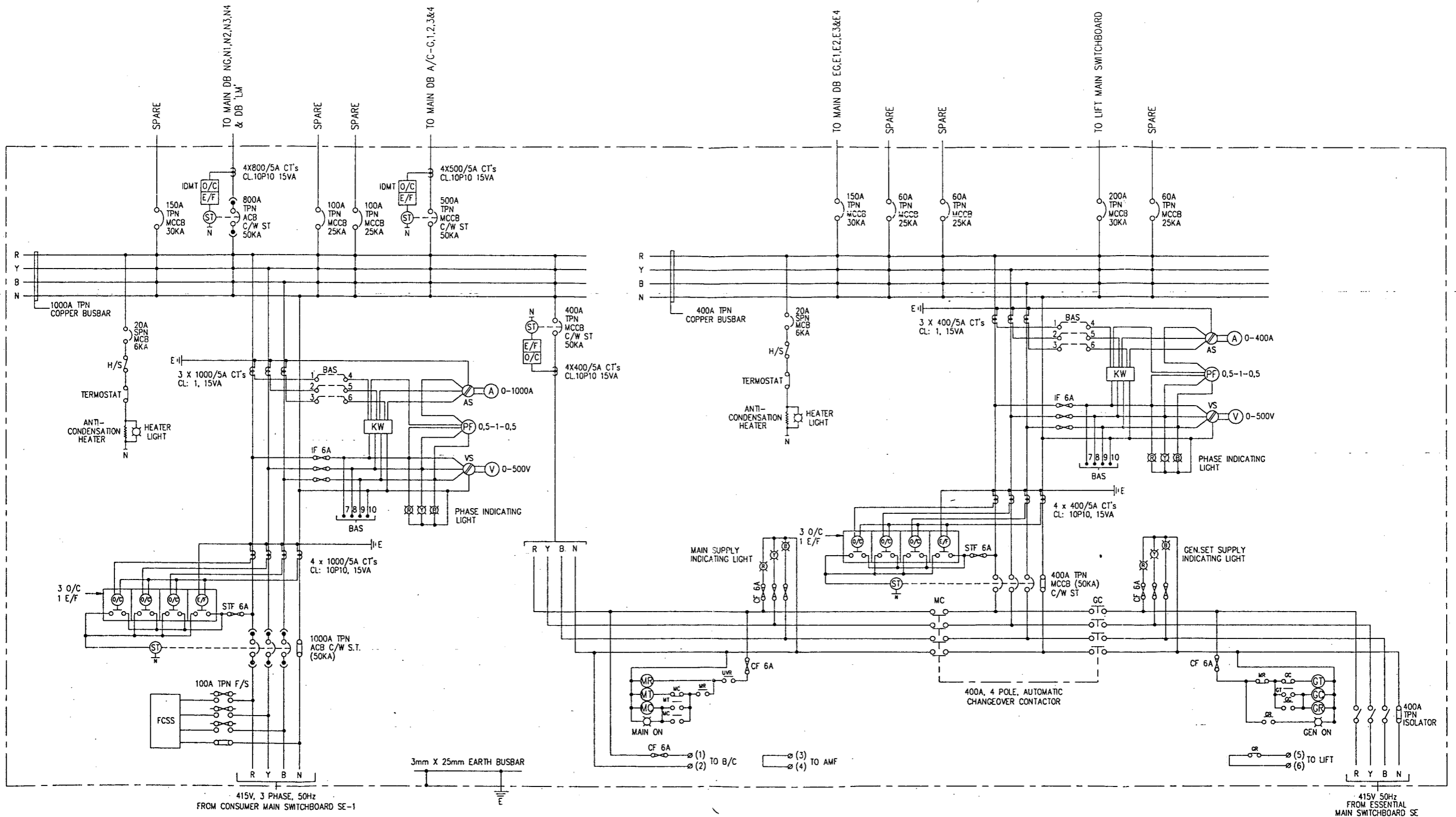
JOB NO.: ST 689/11/95
ACAD REF.: 9615-08

DRAWING NO.: SB 015/2/96-08



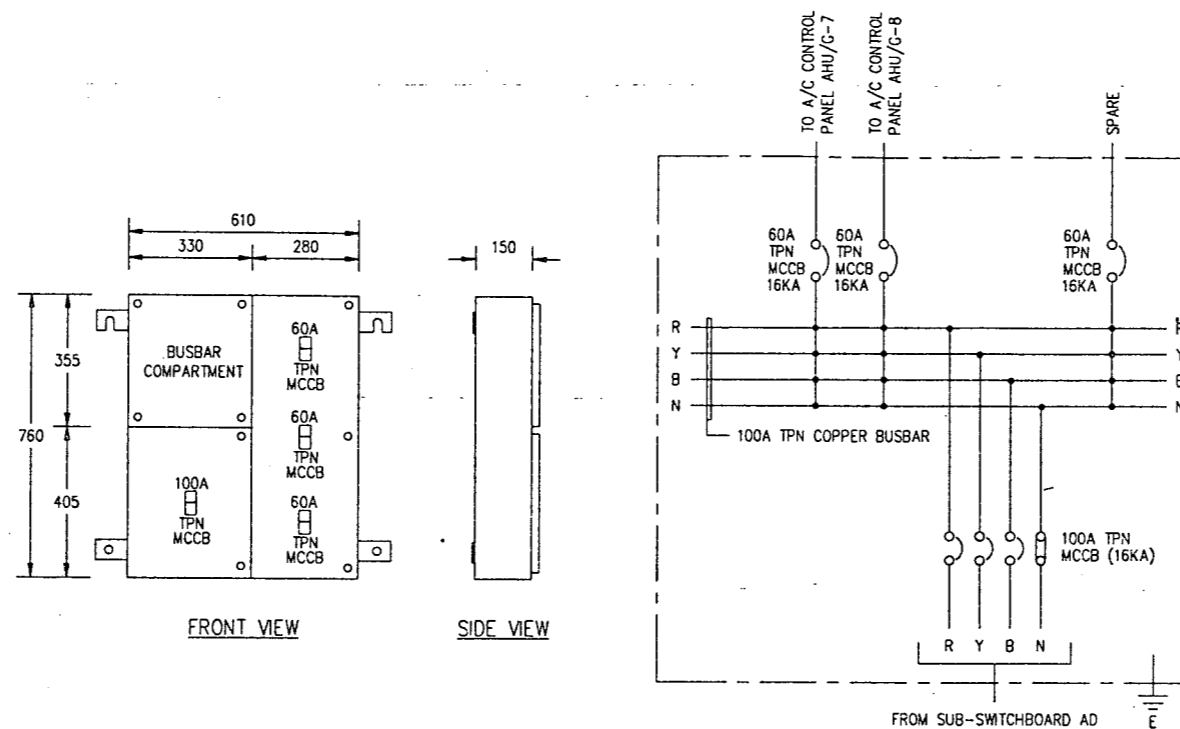
SUB-SWITCHBOARD AD/ESSENTIAL EAD
(FLOOR STANDING MODULAR TYPE)

ELECTRICAL CONTRACTOR: SINAR LETRIK KEPONG SDN BHD NO.29, JALAN PJS 11/18, BANDAR SUNWAY, 46150 SELANGOR. TEL : 7318848 FAX : 7316108		CONSULTANT PERUNDING HASHIM & NEH SDN BHD. JURUTERA PERUNDING 62 & 63, JALAN SS2/72, 47300 PETALING JAYA, SELANGOR D.E. TEL : 7555088 FAX : 7555924		PROJECT: CADANGAN PEMBANGUNAN KOMPLEKS BARU INSTITUT KEJURUTERAAN TEKNOLOGI TENAGA NATIONAL (IKATAN) DI ATAS LOT PT 572,573,1164-1174 DAN DI SEBAHAGIAN LOT PT. 559,566-570,1050,1051,1054 & 1413.MUKIM DENGKIL, BANGI, SELANGOR D.E. UNTUK TETUAN T.N.B.		MANUFACTURER: SUNCO SWITCHGEARS SDN. BHD. LOT NO. 14236, 6 1/2 MILES, JALAN PUCHONG, 58200 KUALA LUMPUR. TEL. NO.: 7920711 FAX. NO.: 7926867	
DRAWN: K S LOOI	DESIGNED:	DATE: 8/2/96	DATE OF ISSUED:	DRAWING TITLE: GENERAL ARRANGEMENT FOR SUB-SWITCHBOARD AD/ ESSENTIAL EAD		JOB NO.: ST 689/11/95	
CHECKED:	APPROVED:	SCALE: 1 TO 20	NO. OF SET: 9 OF 57	ACAD REF.: 9615-09		DRAWING NO.: SB 015/2/96-09	



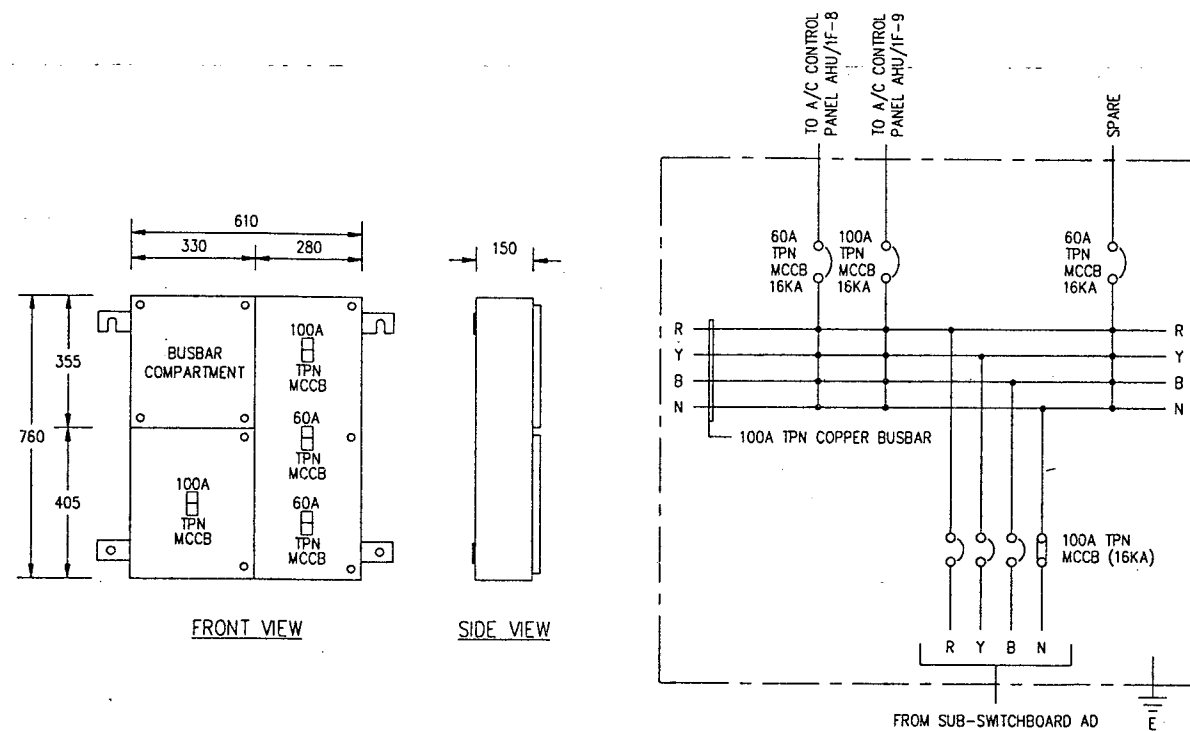
SUB-SWITCHBOARD AD/ESSENTIAL EAD

<p>ELECTRICAL CONTRACTOR: SINAR LETRIK KEPONG SDN BHD NO.29,JALAN PJS 11/18, BANDAR SUNWAY, 46150 SELANGOR. TEL : 7318848 FAX : 7316108</p>	<p>CONSULTANT PERUNDING HASHIM & NEH SDN BHD. JURUTERA PERUNDING 62 & 63,JALAN SS2/72, 47300 PETALING JAYA,SELANGOR D.E. TEL : 7555088 FAX : 7555924</p>	<p>PROJECT: CADANGAN PEMBANGUNAN KOMPLEKS BARU INSTITUT KEJURUTERAAN TEKNOLOGI TENAGA NATIONAL (IKATAN) DI ATAS LOT PT 572,573,1164-1174 DAN DI SEBAHAGIAN LOT PT 559,566-570,1050,1051,1054 & 1413.MUKIM DENGKIL,BANGI,SELANGOR D.E. UNTUK TETUAN T.N.B.</p>	<p>MANUFACTURER: SUNCO SWITCHGEARS SDN. BHD. LOT NO. 14236, 6 1/2 MILES, JALAN PUCHONG, 58200 KUALA LUMPUR. TEL. NO.: 7920711 FAX. NO.: 7926867</p>	
<p>DRAWN: K S LOOI</p>	<p>DESIGNED:</p>	<p>DATE: 8/2/96</p>	<p>DATE OF ISSUED:</p>	<p>JOB NO.: ST 689/11/95</p>
<p>CHECKED:</p>	<p>APPROVED:</p>	<p>SCALE: N.T.S</p>	<p>NO. OF SET: 10 OF 57</p>	<p>DRAWING TITLE: SCHEMATIC DIAGRAM FOR SUB-SWITCHBOARD AD/ ESSENTIAL EAD</p>
		<p>ACAD REF.: 9615-10</p>	<p>DRAWING NO.: SB 015/2/96-10</p>	



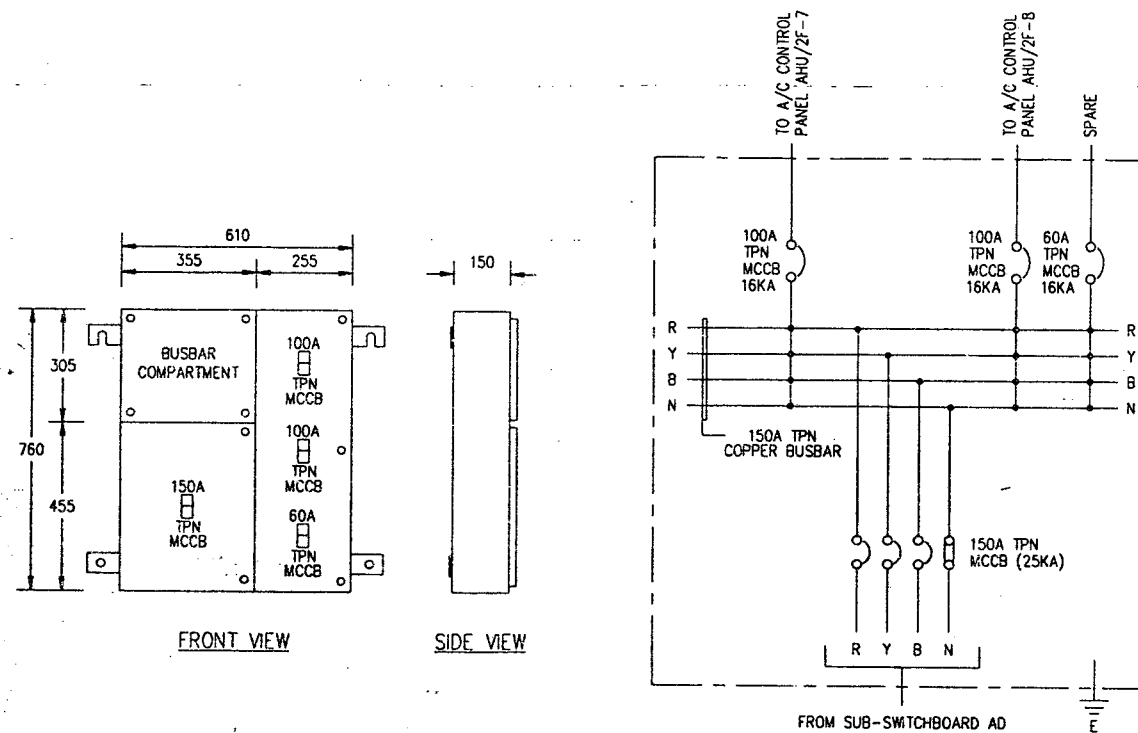
MAIN DB A/C-G
(WALL MOUNTING TYPE)

ELECTRICAL CONTRACTOR:- SINAR LETRIK KEPONG SDN BHD NO.29,JALAN PJS 11/18, BANDAR SUNWAY, 46150 SELANGOR. TEL : 7318848 FAX : 7316108		CONSULTANT PERUNDING HASHIM & NEH SDN BHD. JURUTERA PERUNDING 62 & 63,JALAN SS2/72, 47300 PETALING JAYA,SELANGOR D.E. TEL : 7555088 FAX : 7555924		PROJECT: CADANGAN PEMBANGUNAN KOMPLEKS BARU INSTITUT KEJURUTERAAN TEKNOLOGI TENAGA NATIONAL (IKATAN) DI ATAS LOT PT 572,573,1164-1174 DAN DI SEBAHAGIAN LOT PT 559,566-570,1050,1051,1054 & 1413.MUKIM DENGKIL,BANGI,SELANGOR D.E. UNTUK TETUAN T.N.B.		MANUFACTURER: SUNCO SWITCHGEARS SDN. BHD. LOT NO. 14236, 6 1/2 MILES, JALAN PUCHONG, 58200 KUALA LUMPUR. TEL NO.: 7920711 FAX. NO.: 7926867	
DRAWN: K S LOOI	DESIGNED:	DATE: 8/2/96	DATE OF ISSUED:	DRAWING TITLE: GENERAL ARRANGEMENT & SCHEMATIC DIAGRAM FOR MAIN DB A/C-G		JOB NO.: ST 689/11/95	
CHECKED:	APPROVED:	SCALE: 1 TO 20	NO. OF SET: 11 OF 57			ACAD REF.: 9615-11	DRAWING NO.: SB 015/2/96-11



MAIN DB A/C-1
(WALL MOUNTING TYPE)

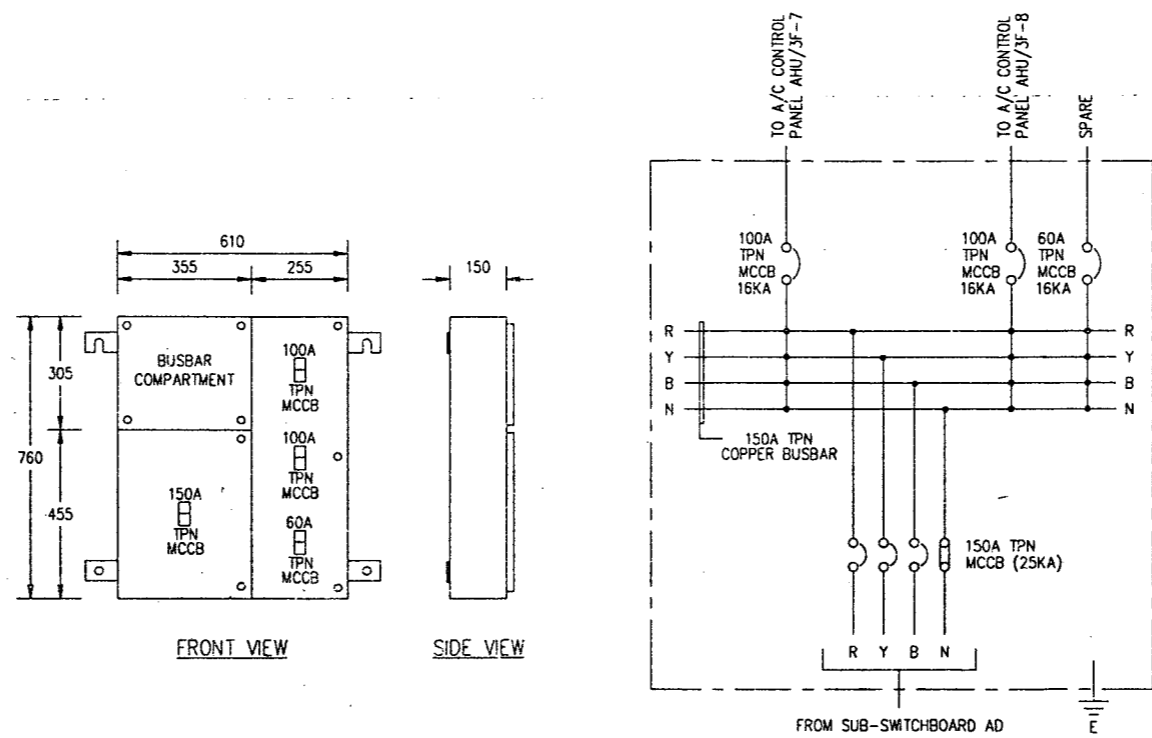
ELECTRICAL CONTRACTOR: SINAR LETRIK KEPONG SDN BHD NO.29,JALAN PJS 11/18, BANDAR SUNWAY, 46150 SELANGOR. TEL : 7318848 FAX : 7316108		CONSULTANT PERUNDING HASHIM & NEH SDN BHD. JURUTERA PERUNDING 62 & 63,JALAN SS2/72, 47300 PETALING JAYA,SELANGOR D.E. TEL : 7555088 FAX : 7555924		PROJECT: CADANGAN PEMBANGUNAN KOMPLEKS BARU INSTITUT KEJURUTERAAN TEKNOLOGI TENAGA NATIONAL (IKATAN) DI ATAS LOT PT 572,573,1164-1174 DAN DI SEBAHAGIAN LOT PT 559,566-570,1050;1051,1054 & 1413.MUKIM DENGKIL,BANGI,SELANGOR D.E. UNTUK TETUAN T.N.B.		MANUFACTURER: SUNCO SWITCHGEARS SDN. BHD. LOT NO. 14236, 6 1/2 MILES, JALAN PUCHONG, 58200 KUALA LUMPUR. TEL. NO.: 7920711 FAX. NO.: 7926867	
DRAWN: K S LOOI	DESIGNED:	DATE: 8/2/96	DATE OF ISSUED:	DRAWING TITLE: GENERAL ARRANGEMENT & SCHEMATIC DIAGRAM FOR MAIN DB A/C-1		JOB NO.: ST 689/11/95	
CHECKED:	APPROVED:	SCALE: 1 TO 20	NO. OF SET: 12 OF 57			ACAD REF.: 9615-12	DRAWING NO.: SB 015/2/96-12



MAIN DB A/C-2

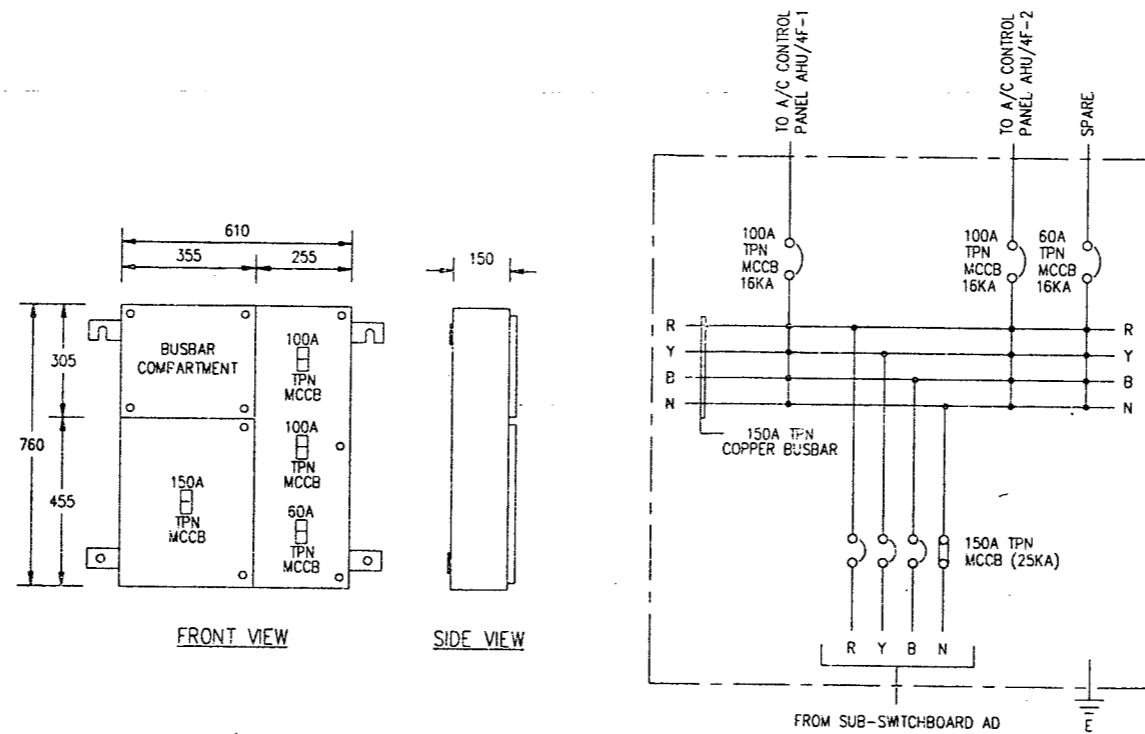
(WALL MOUNTING TYPE)

ELECTRICAL CONTRACTOR: SINAR LETRIK KEPONG SDN BHD NO.29, JALAN PJS 11/18, BANDAR SUNWAY, 46150 SELANGOR. TEL : 7318848 FAX : 7316108		CONSULTANT PERUNDING HASHIM & NEH SDN BHD. JURUTERA PERUNDING 62 & 63, JALAN SS2/72, 47300 PETALING JAYA, SELANGOR D.E. TEL : 7555088 FAX : 7555924		PROJECT: CADANGAN PEMBANGUNAN KOMPLEKS BARU INSTITUT KEJURUTERAAN TEKNOLOGI TENAGA NATIONAL (IKATAN) DI ATAS LOT PT 572,573,1164-1174 DAN DI SEBAHAGIAN LOT PT 559,566-570,1050,1051,1054 & 1413.MUKIM DENGKIL, BANGI, SELANGOR D.E. UNTUK TETUAN, T.N.B.		MANUFACTURER: SUNCO SWITCHGEARS SDN. BHD. LOT NO. 14236, 6 1/2 MILES, JALAN PUCHONG, 58200 KUALA LUMPUR. TEL. NO.: 7920711 FAX. NO.: 7926867	
DRAWN: K. S' LOOI	DESIGNED:	DATE: 8/2/96	DATE OF ISSUED:	DRAWING TITLE: GENERAL ARRANGEMENT & SCHEMATIC DIAGRAM FOR MAIN DB A/C-2		JOB NO.: ST 689/11/95	
CHECKED:	APPROVED:	SCALE: 1 TO 20	NO. OF SET: 13 OF 57	ACAD REF.: 9615-13		DRAWING NO.: SB 015/2/96-13	



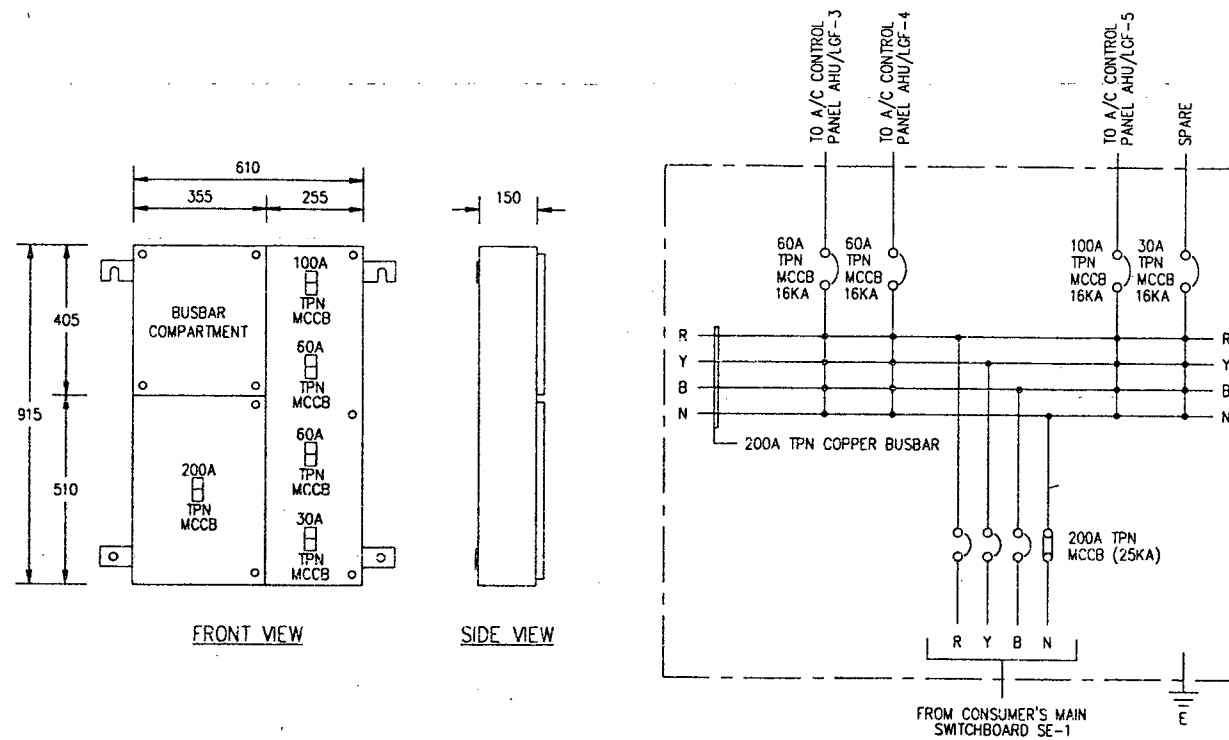
MAIN DB A/C-3
(WALL MOUNTING TYPE)

ELECTRICAL CONTRACTOR: SINAR LETRIK KEPONG SDN BHD NO.29,JALAN PJS 11/18, BANDAR SUNWAY, 46150 SELANGOR. TEL : 7318848 FAX : 7316108		CONSULTANT PERUNDING HASHIM & NEH SDN BHD. JURUTERA PERUNDING 62 & 63,JALAN SS2/72, 47300 PETALING JAYA,SELANGOR D.E. TEL : 7555088 FAX : 7555924		PROJECT: CADANGAN PEMBANGUNAN KOMPLEKS BARU INSTITUT KEJURUTERAAN TEKNOLOGI TENAGA NATIONAL (IKATAN) DI ATAS LOT PT 572,573,1164-1174 DAN DI SEBAHAGIAN LOT PT 559,566-570,1050,1051,1054 & 1413.MUKIM DENGKIL,BANGI,SELANGOR D.E. UNTUK TETUAN T.N.B.		MANUFACTURER: SUNCO SWITCHGEARS SDN. BHD. LOT NO. 14236, 6 1/2 MILES, JALAN PUCHONG, 58200 KUALA LUMPUR. TEL. NO.: 7920711 FAX. NO.: 7926867	
DRAWN: K. S LOOI	DESIGNED:	DATE: 8/2/96	DATE OF ISSUED:	DRAWING TITLE: GENERAL ARRANGEMENT & SCHEMATIC DIAGRAM FOR MAIN DB A/C-3		JOB NO.: ST 689/11/95	
CHECKED:	APPROVED:	SCALE: 1 TO 20	NO. OF SET: 14 OF 57			ACAD REF.: 9615-14	DRAWING NO.: SB 015/2/95-14



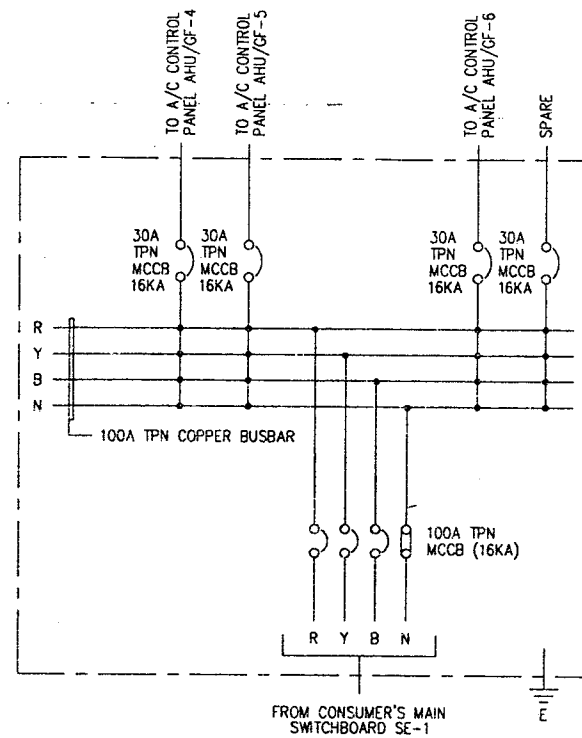
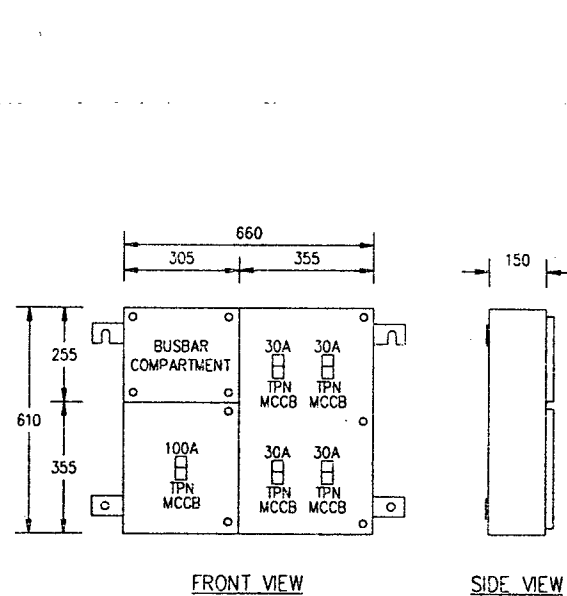
MAIN DB A/C-4
(WALL MOUNTING TYPE)

ELECTRICAL CONTRACTOR:- SINAR LETRIK KEPONG SDN BHD NO.29,JALAN PJS 11/18, BANDAR SUNWAY, 46150 SELANGOR. TEL : 7318848 FAX : 7316108		CONSULTANT PERUNDING HASHIM & NEH SDN BHD. JURUTERA PERUNDING 62 & 63,JALAN SS2/72, 47300 PETALING JAYA,SELANGOR D.E. TEL:- 7555088 FAX : 7555924		PROJECT: CADANGAN PEMBANGUNAN KOMPLEKS BARU INSTITUT KEJURUTERAAN TEKNOLOGI TENAGA NATIONAL (IKATAN) DI ATAS LOT PT 572,573,1164-1174 DAN DI SEBAHAGIAN LOT PT 559,566-570,1050,1051,1054 & 1413.MUKIM DENGKIL,BANGI,SELANGOR. D.E. UNTUK TETUAN T.N.B.		MANUFACTURER: SUNCO SWITCHGEARS SDN. BHD. LOT NO. 14236, 6 1/2 MILES, JALAN PUCHONG, 58200 KUALA LUMPUR. TEL. NO.: 7920711 FAX. NO.: 7926867	
DRAWN: K S LOOI	DESIGNED:	DATE: 8/2/96	DATE OF ISSUED:	DRAWING TITLE: GENERAL ARRANGEMENT & SCHEMATIC DIAGRAM FOR MAIN DB A/C-4		JOB NO.: ST 689/11/95	
CHECKED:	APPROVED:	SCALE: 1 TO 20	NO. OF SET: 15 OF 57			ACAD REF.: 9615-15	DRAWING NO.: SB 015/2/96-15



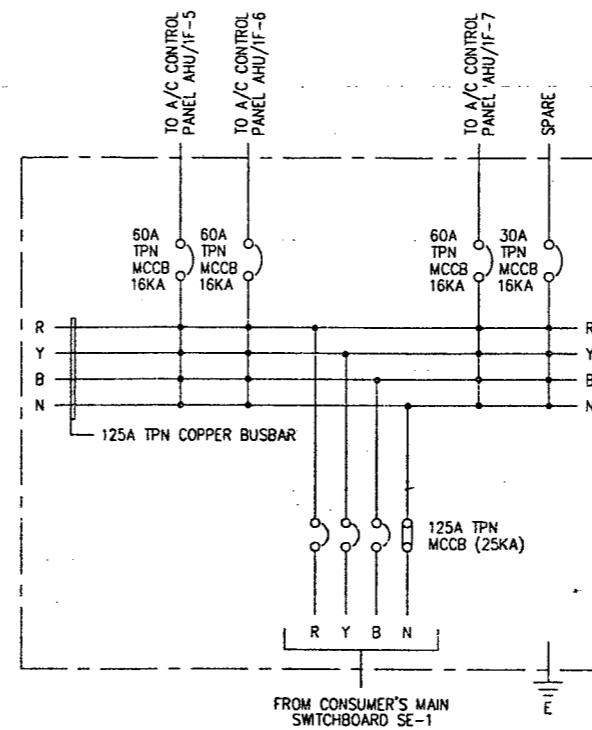
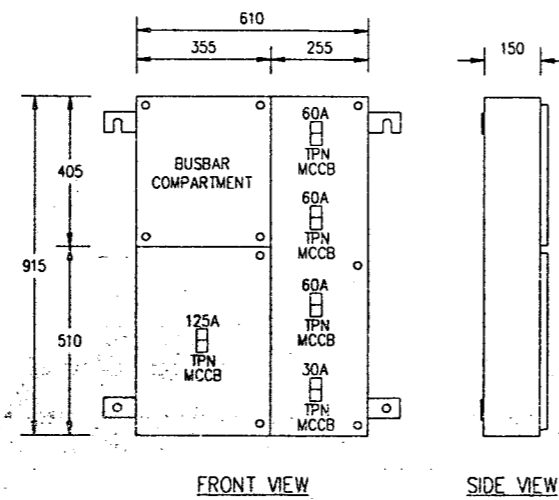
MAIN DB A/C-LGA
(WALL MOUNTING TYPE)

ELECTRICAL CONTRACTOR: SINAR LETRIK KEPONG SDN BHD NO.29, JALAN PJS 11/18, BANDAR SUNWAY, 46150 SELANGOR. TEL: -7318848 FAX: 7316108		CONSULTANT PERUNDING HASHIM & NEH SDN BHD. JURUTERA PERUNDING 62 & 63, JALAN SS2/72, 47300 PETALING JAYA, SELANGOR D.E. TEL: 7555088 FAX: 7555924		PROJECT: CADANGAN PEMBANGUNAN KOMPLEKS BARU INSTITUT KEJURUTERAAN TEKNOLOGI TENAGA NATIONAL (IKATAN) DI ATAS LOT PT 572,573,1164-1174 DAN DI SEBAHAGIAN LOT PT 559,566-570,1050,1051,1054 & 1413.MUKIM DENGKIL, BANGI, SELANGOR D.E. UNTUK TETUAN T.N.B.		MANUFACTURER: SUNCO SWITCHGEARS SDN. BHD. LOT NO. 14236, 6 1/2 MILES, JALAN PUCHONG, 58200 KUALA LUMPUR. TEL. NO.: 7920711 FAX. NO.: 7926867	
DRAWN: K S LOOI	DESIGNED:	DATE: 8/2/96	DATE OF ISSUED:	DRAWING TITLE: GENERAL ARRANGEMENT & SCHEMATIC DIAGRAM FOR MAIN DB A/C-LGA		JOB NO.: ST 689/11/95	
CHECKED:	APPROVED:	SCALE: 1 TO 20	NO. OF SET: 16 OF 57			ACAD REF.: 9615-16	DRAWING NO.: SB 015/2/96-16



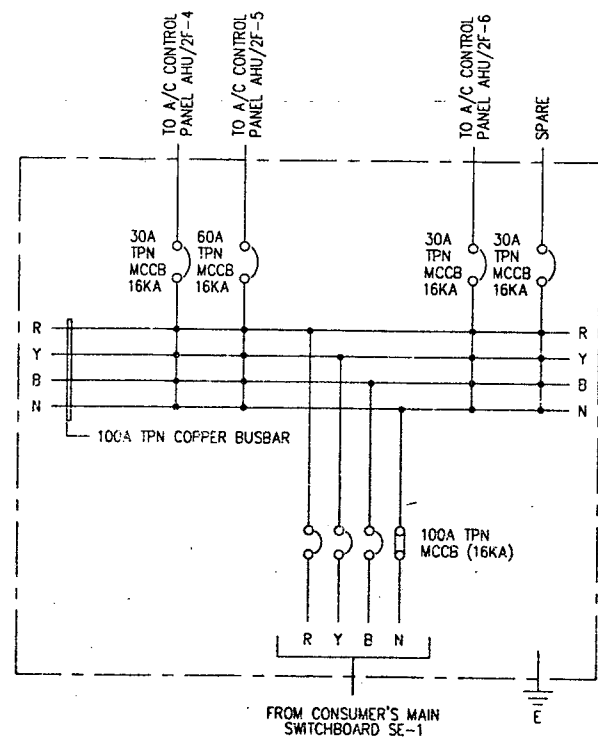
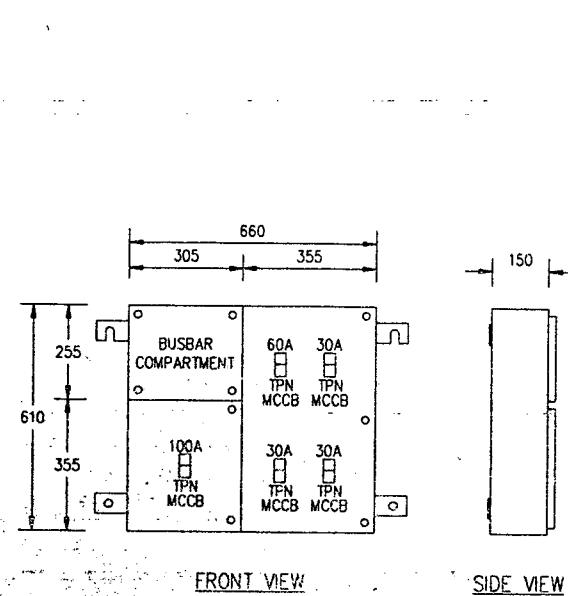
MAIN DB A/C-GA
(WALL MOUNTING TYPE)

ELECTRICAL CONTRACTOR: SINAR LETRIK KEPONG SDN BHD NO.29,JALAN PJS 11/18, BANDAR SUNWAY, 46150 SELANGOR. TEL : 7318848 FAX : 7316108		CONSULTANT PERUNDING HASHIM & NEH SDN BHD. JURUTERA PERUNDING 62 & 63,JALAN SS2/72, 47300 PETALING JAYA,SELANGOR D.E. TEL : 7555088 FAX : 7555924		PROJECT: CADANGAN PEMBANGUNAN KOMPLEKS BARU INSTITUT KEJURUTERAAN TEKNOLOGI TENAGA NATIONAL (IKATAN) DI ATAS LOT PT 572,573,1164-1174 DAN DI SEBAHAGIAN LOT PT 559,566-570,1050,1051,1054 & 1413.MUKIM DENGKIL,BANGI,SELANGOR D.E. UNTUK TETUAN T.N.B.		MANUFACTURER: SUNCO SWITCHGEARS SDN. BHD. LOT NO. 14236, 6 1/2 MILES, JALAN PUCHONG, 58200 KUALA LUMPUR. TEL. NO.: 7920711 FAX. NO.: 7926867	
DRAWN: K S LOOI	DESIGNED:	DATE: 8/2/96	DATE OF ISSUED:	DRAWING TITLE: GENERAL ARRANGEMENT & SCHEMATIC DIAGRAM FOR MAIN DB A/C-GA		JOB NO.: ST 689/11/95	
CHECKED:	APPROVED:	SCALE: 1 TO 20	NO. OF SET: 17 OF 57			ACAD REF.: 9615-17	DRAWING NO.: SB 015/2/96-17



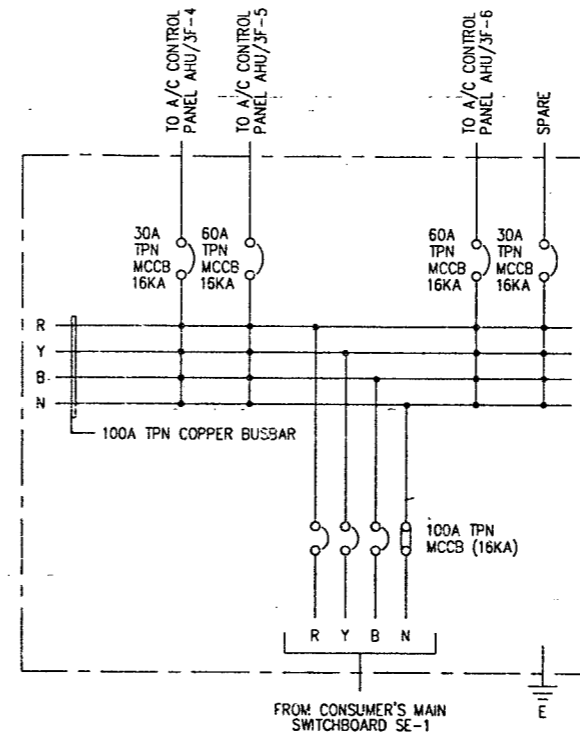
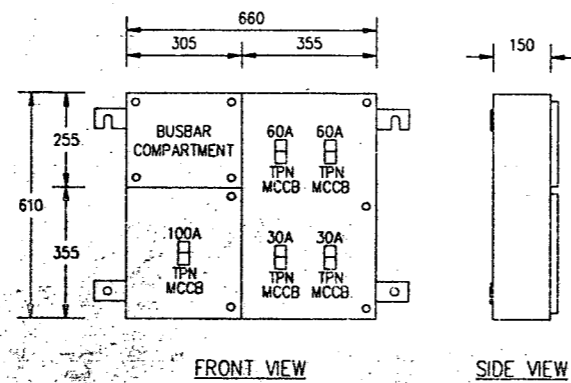
MAIN DB A/C-1A
(WALL MOUNTING TYPE)

ELECTRICAL CONTRACTOR: SINAR LETRIK KEPONG SDN BHD NO.29,JALAN PJS 11/18, BANDAR SUNWAY, 46150 SELANGOR. TEL : 7318848 FAX : 7316108		CONSULTANT PERUNDING HASHIM & NEH SDN BHD. JURUTERA PERUNDING 62 & 63,JALAN SS2/72, 47300 PETALING JAYA,SELANGOR D.E. TEL : 7555088 FAX : 7555924		PROJECT: CADANGAN PEMBANGUNAN KOMPLEKS BARU INSTITUT KEJURUTERAAN TEKNOLOGI TENAGA NATIONAL (IKATAN) DI ATAS LOT PT 572,573,1164-1174 DAN DI SEBAHAGIAN LOT PT 559,566-570,1050,1051,1054 & 1413.MUKIM DENGKIL,BANGI,SELANGOR D.E. UNTUK TETUAN T.N.B.		MANUFACTURER: SUNCO SWITCHGEARS SDN. BHD. LOT NO. 14236, 6 1/2 MILES, JALAN PUCHONG, 58200 KUALA LUMPUR. TEL NO.: 7920711 FAX NO.: 7926867	
DRAWN: K S LOOI	DESIGNED:	DATE: 8/2/96	DATE OF ISSUED:	DRAWING TITLE: GENERAL ARRANGEMENT & SCHEMATIC DIAGRAM FOR MAIN DB A/C-1A		JOB NO.: ST 689/11/95	
CHECKED:	APPROVED:	SCALE: 1 TO 20	NO. OF SET: 18 OF 57			ACAD REF.: 9615-18	DRAWING NO.: SB 015/2/96-18



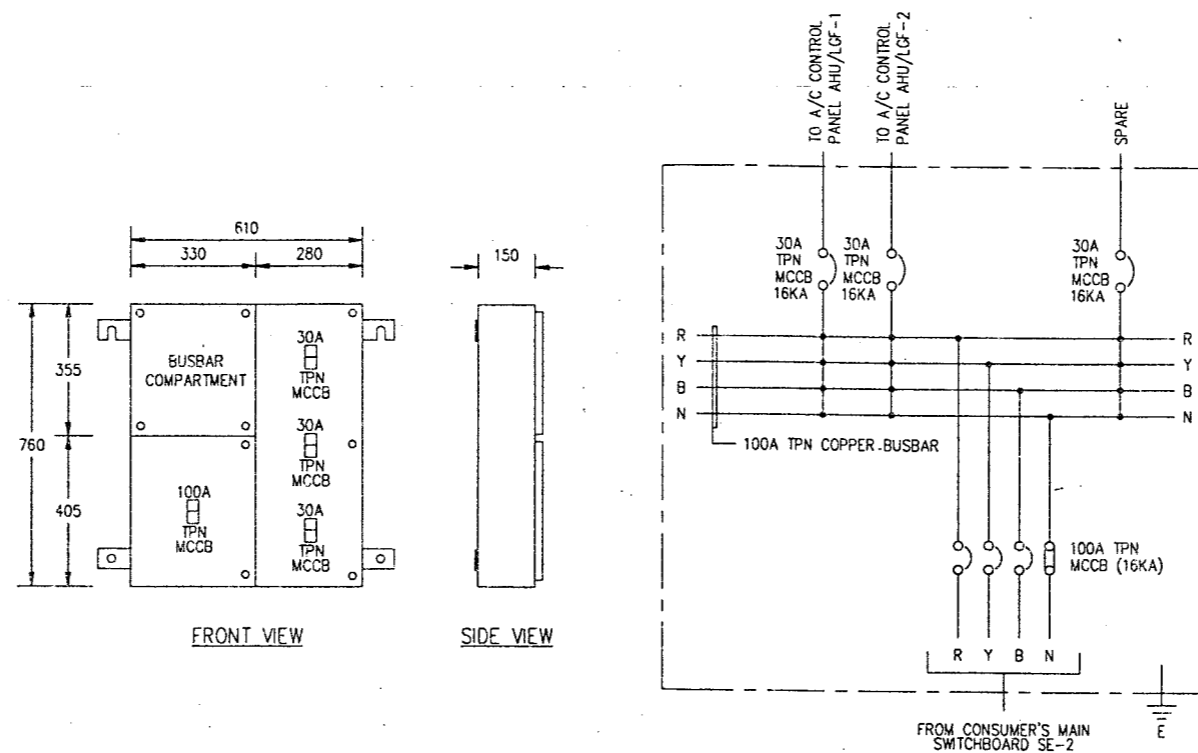
MAIN DB A/C-2A
(WALL MOUNTING TYPE)

ELECTRICAL CONTRACTOR: SINAR LETRIK KEPONG SDN BHD NO.29,JALAN PJS 11/18, BANDAR SUNWAY, 46150 SELANGOR. TEL : 7318848 FAX : 7316108		CONSULTANT PERUNDING HASHIM & NEH SDN BHD. JURUTERA PERUNDING 62 & 63,JALAN SS2/72, 47300 PETALING JAYA,SELANGOR D.E. TEL : 7555088 FAX : 7555924		PROJECT: CADANGAN PEMBANGUNAN KOMPLEKS BARU INSTITUT KEJURUTERAAN TEKNOLOGI TENAGA NATIONAL (IKATAN) DI ATAS LOT PT 572,573,1164-1174 DAN DI SEBAHAGIAN LOT PT 559,566-570,1050,1051,1054 & 1413.MUKIM DENGKIL,BANGI,SELANGOR D.E. UNTUK TETUAN T.N.B.		MANUFACTURER: SUNCO SWITCHGEARS SDN. BHD. LOT NO. 14236, 6 1/2 MILES, JALAN PUCHONG, 58200 KUALA LUMPUR. TEL. NO.: 7920711 FAX. NO.: 7926867	
DRAWN: K S LOOI	DESIGNED:	DATE: 8/2/96	DATE OF ISSUED:	DRAWING TITLE:		JOB NO.: ST 689/11/95	
CHECKED:	APPROVED:	SCALE: 1 TO 20	NO. OF SET: 19 OF 57	GENERAL ARRANGEMENT & SCHEMATIC DIAGRAM FOR MAIN DB A/C-2A		ACAD REF.: 9615-19	DRAWING NO.: SB 015/2/96-19



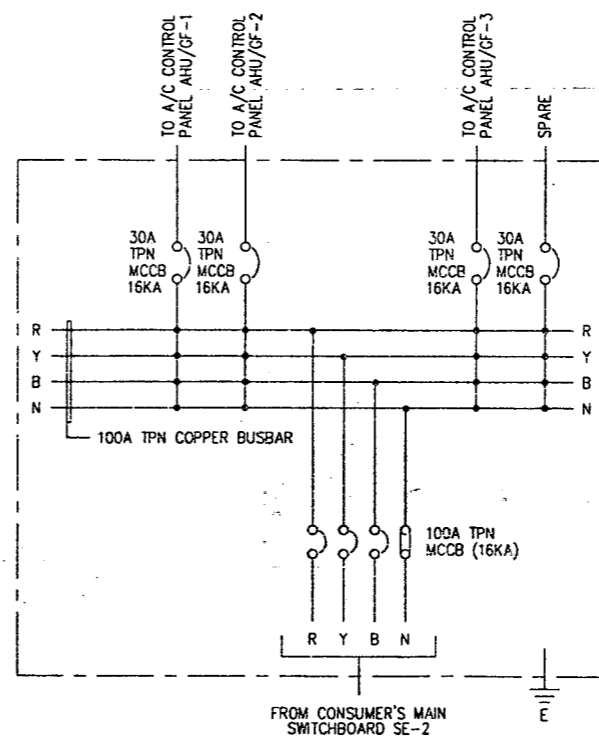
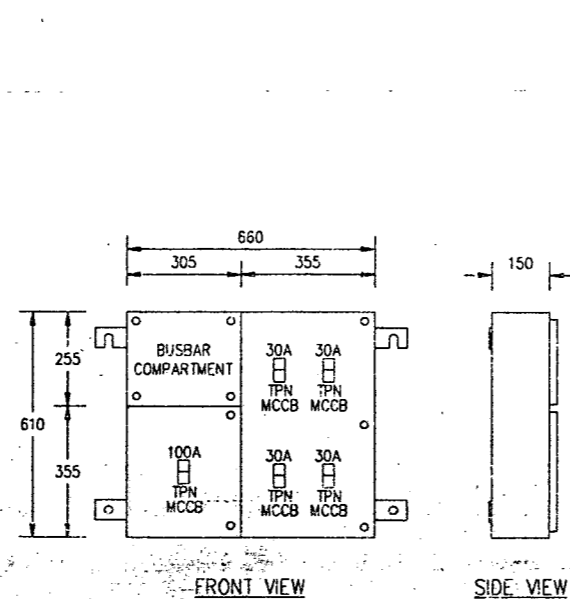
MAIN DB A/C-3A
(WALL MOUNTING TYPE)

ELECTRICAL CONTRACTOR: SINAR LETRIK KEPONG SDN BHD NO.29,JALAN PJS 11/18, BANDAR SUNWAY, 46150 SELANGOR. TEL : 7318848 FAX : 7316108		CONSULTANT PERUNDING HASHIM & NEH SDN BHD. JURUTERA PERUNDING 62 & 63,JALAN SS2/72, 47300 PETALING JAYA,SELANGOR D.E. TEL : 7555088 FAX : 7555924		PROJECT: CADANGAN PEMBANGUNAN KOMPLEKS BARU INSTITUT KEJURUTERAAN TEKNOLOGI TENAGA NATIONAL (IKATAN) DI ATAS LOT PT 572,573,1164-1174 DAN DI SEBAHAGIAN LOT PT 559,566-570,1050,1051,1054 & 1413.MUKIM DENGKIL,BANGI,SELANGOR D.E. UNTUK TETUAN T.N.B.		MANUFACTURER: SUNCO SWITCHGEARS SDN. BHD. LOT NO. 14236, 6 1/2 MILES, JALAN PUCHONG, 58200 KUALA LUMPUR. TEL. NO.: 7920711 FAX. NO.: 7926867	
DRAWN: K S LOOI	DESIGNED:	DATE: 8/2/96	DATE OF ISSUED:	DRAWING TITLE: GENERAL ARRANGEMENT & SCHEMATIC DIAGRAM FOR MAIN DB A/C-3A		JOB NO.: ST 689/11/95	
CHECKED:	APPROVED:	SCALE: 1 TO 20	NO. OF SET: 20 OF 57	ACAD REF.: 9615-20		DRAWING NO.: SB 015/2/96-20	



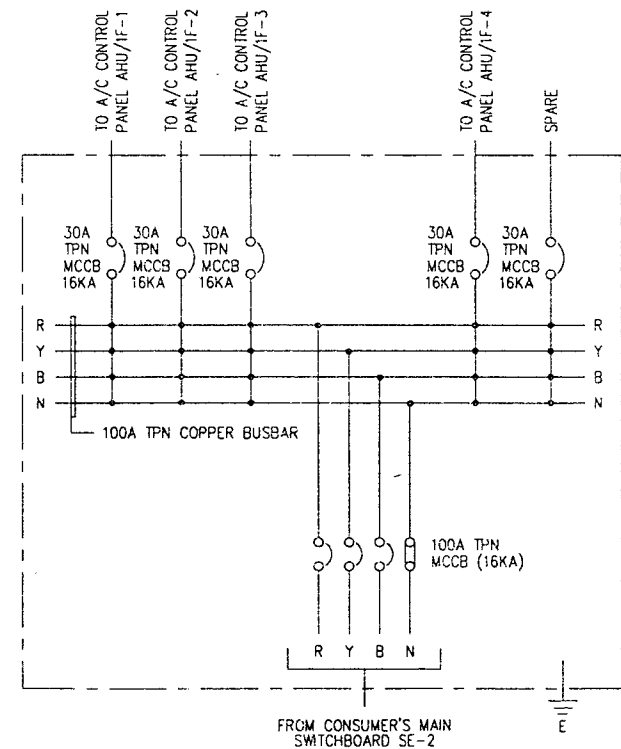
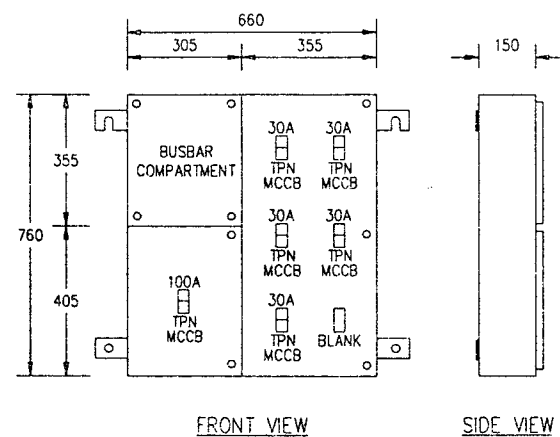
MAIN DB A/C-LGB
(WALL MOUNTING TYPE)

ELECTRICAL CONTRACTOR: SINAR LETRIK KEPONG SDN BHD NO.29, JALAN PJS 11/18, BANDAR SUNWAY, 46150 SELANGOR. TEL : 7318848 FAX : 7316108		CONSULTANT PERUNDING HASHIM & NEH SDN BHD. JURUTERA PERUNDING 62 & 63, JALAN SS2/72, 47300 PETALING JAYA, SELANGOR D.E. TEL : 7555088 FAX : 7555924		PROJECT: CADANGAN PEMBANGUNAN KOMPLEKS BARU INSTITUT KEJURUTERAAN TEKNOLOGI TENAGA NATIONAL (IKATAN) DI ATAS LOT PT. 572,573,1164-1174 DAN DI SEBAHAGIAN LOT. PT 559,566-570,1050,1051,1054 & 1413.MUKIM... DENGKIL, BANGI, SELANGOR D.E. UNTUK TETUAN T.N.B.		MANUFACTURER: SUNCO SWITCHGEARS SDN. BHD. LOT NO. 14236, 6 1/2 MILES, JALAN PUCHONG, 58200 KUALA LUMPUR. TEL. NO.: 7920711 FAX. NO.: 7926867	
DRAWN: K S LOOI	DESIGNED:	DATE: 8/2/96	DATE OF ISSUED:	DRAWING TITLE: GENERAL ARRANGEMENT & SCHEMATIC DIAGRAM FOR MAIN DB A/C-LGB		JOB NO.: ST 689/11/95	
CHECKED:	APPROVED:	SCALE: 1 TO 20	NO. OF SET: 21 OF 57			ACAD REF.: 9615-21	DRAWING NO.: SB 015/2/96-21



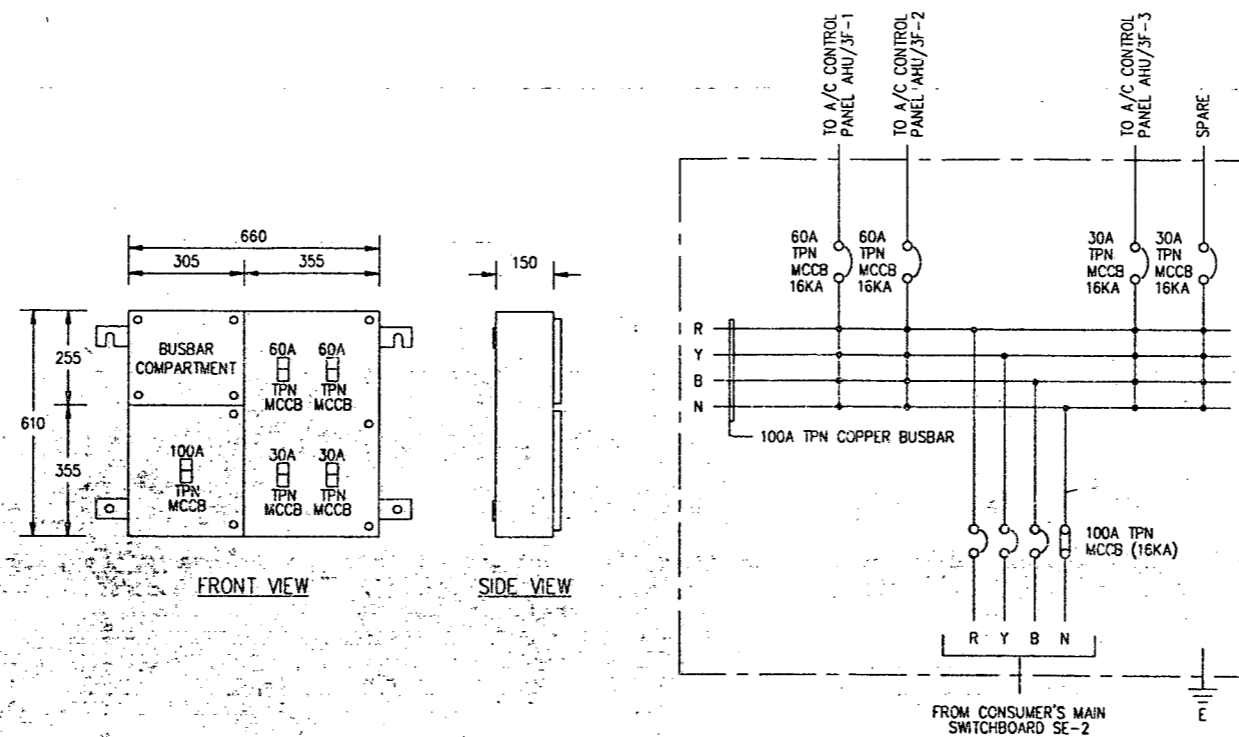
MAIN DB A/C-GB
(WALL MOUNTING TYPE)

ELECTRICAL CONTRACTOR: SINAR LETRIK KEPONG SDN BHD NO.29, JALAN PJS 11/18, BANDAR SUNWAY, 46150 SELANGOR. TEL : 7318848 FAX : 7316108		CONSULTANT PERUNDING HASHIM & NEH SDN BHD. JURUTERA PERUNDING 62 & 63, JALAN SS2/72, 47300 PETALING JAYA, SELANGOR D.E. TEL : 7555088 FAX : 7555924		PROJECT: CADANGAN PEMBANGUNAN KOMPLEKS BARU INSTITUT KEJURUTERAAN TEKNOLOGI TENAGA NATIONAL (IKATAN) DI ATAS LOT PT 572,573,1164-1174 DAN DI SEBAHAGIAN LOT PT 559,566-570,1050,1051,1054 & 1413.MUKIM DENGKIL, BANGI, SELANGOR D.E. UNTUK TETUAN T.N.B.		MANUFACTURER: SUNCO SWITCHGEARS SDN. BHD. LOT NO. 14236, 6 1/2 MILES., JALAN PUCHONG, 58200 KUALA LUMPUR. TEL. NO.: 7920711 FAX. NO.: 7926867	
DRAWN: K S LOOI	DESIGNED:	DATE: 8/2/96	DATE OF ISSUED:	DRAWING TITLE: GENERAL ARRANGEMENT & SCHEMATIC DIAGRAM FOR MAIN DB A/C-GB		JOB NO.: ST 689/11/95	
CHECKED:	APPROVED:	SCALE: 1 TO 20	NO. OF SET: 22 OF 57	ACAD REF.: 9615-22	DRAWING NO.: SB 015/2/96-22		



MAIN DB A/C-1B
(WALL MOUNTING TYPE)

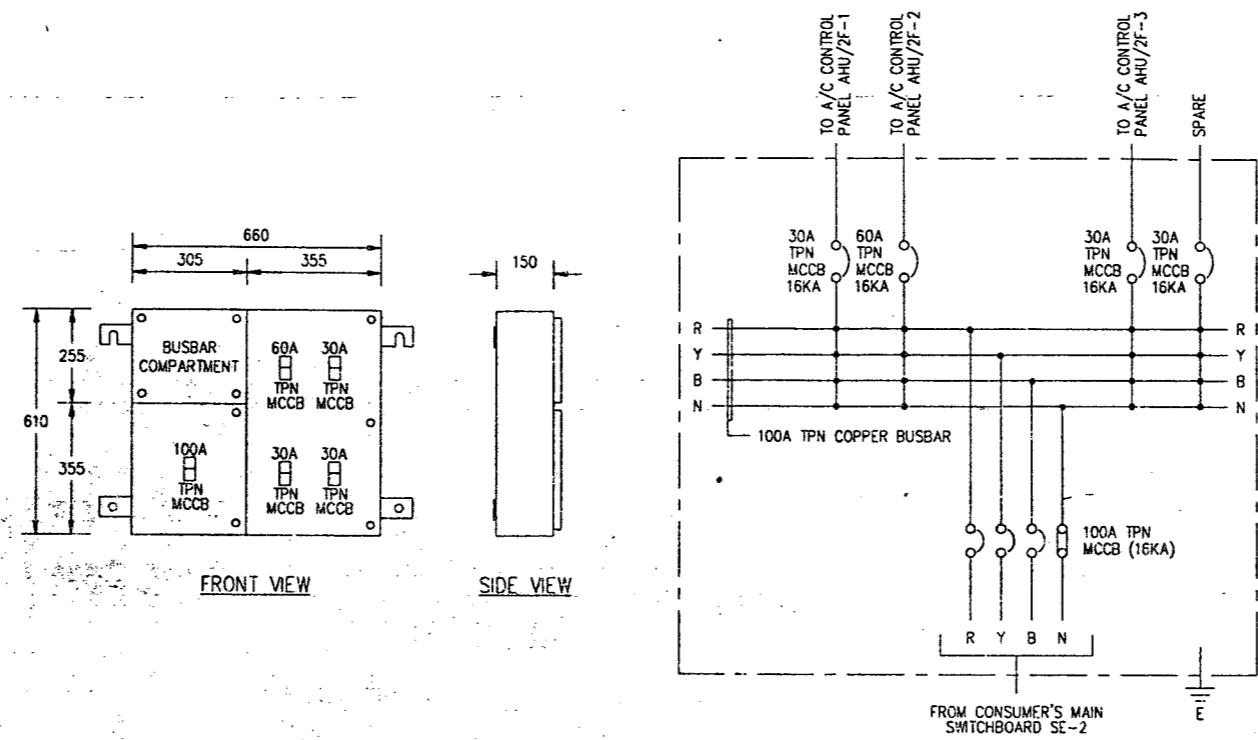
ELECTRICAL CONTRACTOR: SINAR LETRIK KEPONG SDN BHD NO.29,JALAN PJS 11/18, BANDAR SUNWAY, 46150 SELANGOR. TEL : 7318848 FAX : 7316108		CONSULTANT PERUNDING HASHIM & NEH SDN BHD. JURUTERA PERUNDING 62 & 63,JALAN SS2/72, 47300 PETALING JAYA,SELANGOR D.E. TEL : 7555088 FAX : 7555924		PROJECT: CADANGAN PEMBANGUNAN KOMPLEKS BARU INSTITUT KEJURUTERAAN TEKNOLOGI TENAGA NATIONAL (IKATAN) DI ATAS LOT PT 572,573,1164-1174 DAN DI SEBAHAGIAN LOT PT 559,566-570,1050,1051,1054 & 1413.MUKIM DENGKIL,BANGI,SELANGOR D.E. UNTUK TETUAN T.N.B.		MANUFACTURER: SUNCO SWITCHGEARS SDN. BHD. LOT NO. 14236, 6 1/2 MILES, JALAN PUCHONG, 58200 KUALA LUMPUR. TEL. NO.: 7920711 FAX. NO.: 7926867	
DRAWN: K S LOOI	DESIGNED:	DATE: 8/2/96	DATE OF ISSUED:	DRAWING TITLE: GENERAL ARRANGEMENT & SCHEMATIC DIAGRAM FOR MAIN DB A/C-1B		JOB NO.: ST 689/11/95	
CHECKED:	APPROVED:	SCALE: 1 TO 20	NO. OF SET: 23 OF 57	ACAD REF.: 9615-23		DRAWING NO.: SB 015/2/96-23	



MAIN DB A/C-3B

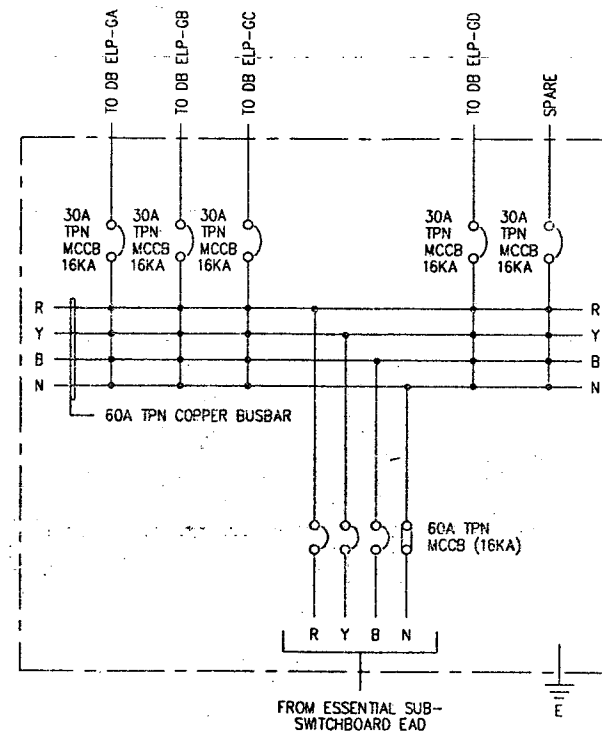
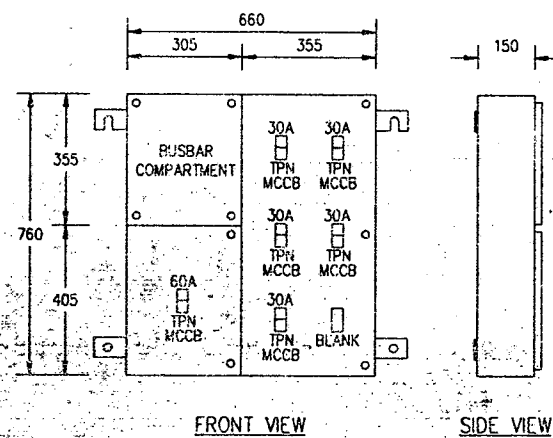
(WALL MOUNTING TYPE)

ELECTRICAL CONTRACTOR: SINAR LETRIK KEPONG SDN BHD NO.29, JALAN PJS 11/18, BANDAR SUNWAY, 46150 SELANGOR. TEL : 7318848 FAX : 7316108		CONSULTANT PERUNDING HASHIM & NEH SDN BHD. JURUTERA PERUNDING 62 & 63, JALAN SS2/72, 47300 PETALING JAYA, SELANGOR D.E. TEL : 7555088 FAX : 7555924		PROJECT: CADANGAN PEMBANGUNAN KOMPLEKS BARU INSTITUT KEJURUTERAAN TEKNOLOGI TENAGA NATIONAL (IKATAN) DI ATAS LOT PT 572,573,1164-1174 DAN DI SEBAHAGIAN LOT PT 559,566-570,1050,1051,1054 & 1413.MUKIM DENGKIL, BANGI, SELANGOR D.E. UNTUK TETUAN T.N.B.		MANUFACTURER: SUNCO SWITCHGEARS SDN. BHD. LOT NO: 14236, 6 1/2 MILES, JALAN PUCHONG, 58200 KUALA LUMPUR. TEL. NO.: 7920711 FAX. NO.: 7926867	
DRAWN: K S LOOI	DESIGNED:	DATE: 8/2/96	DATE OF ISSUED:	DRAWING TITLE: GENERAL ARRANGEMENT & SCHEMATIC DIAGRAM FOR MAIN DB A/C-3B		JOB NO.: ST 689/11/95	
CHECKED:	APPROVED:	SCALE: 1 TO 20	NO. OF SET: 25 OF 57	ACAD REF.: 9615-25		DRAWING NO.: SB 015/2/96-25	



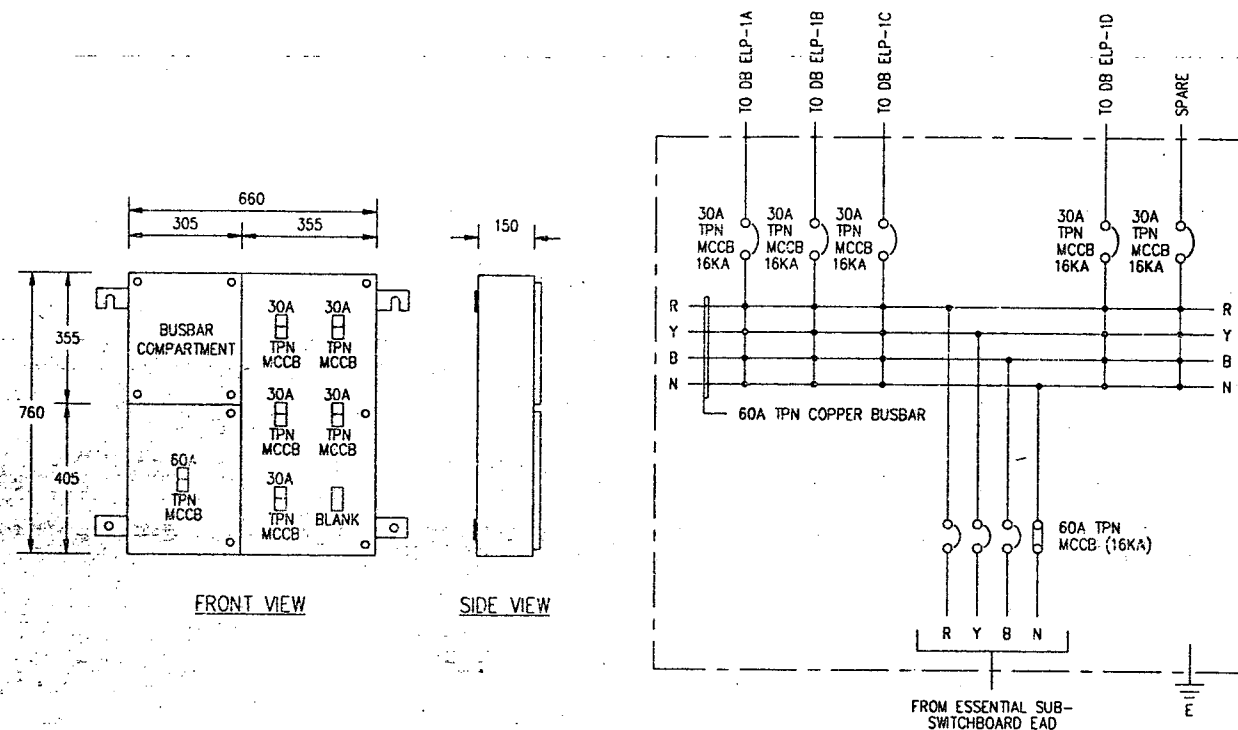
MAIN DB A/C-2B
(WALL MOUNTING TYPE)

ELECTRICAL CONTRACTOR:- SINAR LETRIK KEPONG SDN BHD NO.29, JALAN PJS 11/18, BANDAR SUNWAY, 46150 SELANGOR. TEL : 7318848 FAX : 7316108		CONSULTANT PERUNDING HASHIM & NEH SDN BHD. JURUTERA PERUNDING 62 & 63, JALAN SS2/72, 47300 PETALING JAYA, SELANGOR D.E. TEL : 7555088 FAX : 7555924		PROJECT: CADANGAN PEMBANGUNAN KOMPLEKS BARU INSTITUT KEJURUTERAAN TEKNOLOGI TENAGA NATIONAL (IKATAN) DI ATAS LOT PT 572,573,1164-1174 DAN DI SEBAHAGIAN LOT PT 559,566-570,1050,1051,1054 & 1413.MUKIM DENGKIL, BANGI, SELANGOR D.E. UNTUK JETUAN T.N.B.		MANUFACTURER: SUNCO SWITCHGEARS SDN. BHD. LOT NO. 14236, 6 1/2 MILES, JALAN PUCHONG, 58200 KUALA LUMPUR. TEL. NO.: 7920711 FAX. NO.: 7926867	
DRAWN: K S LOOI	DESIGNED:	DATE: 8/2/96	DATE OF ISSUED:	DRAWING TITLE: GENERAL ARRANGEMENT & SCHEMATIC DIAGRAM FOR MAIN DB A/C-2B		JOB NO.: ST 689/11/95	
CHECKED:	APPROVED:	SCALE: 1 TO 20	NO. OF SET: 24 OF 57			ACAD REF.: 9615-24	DRAWING NO.: SB 015/2/96-24



MAIN DB EG
(WALL MOUNTING TYPE)

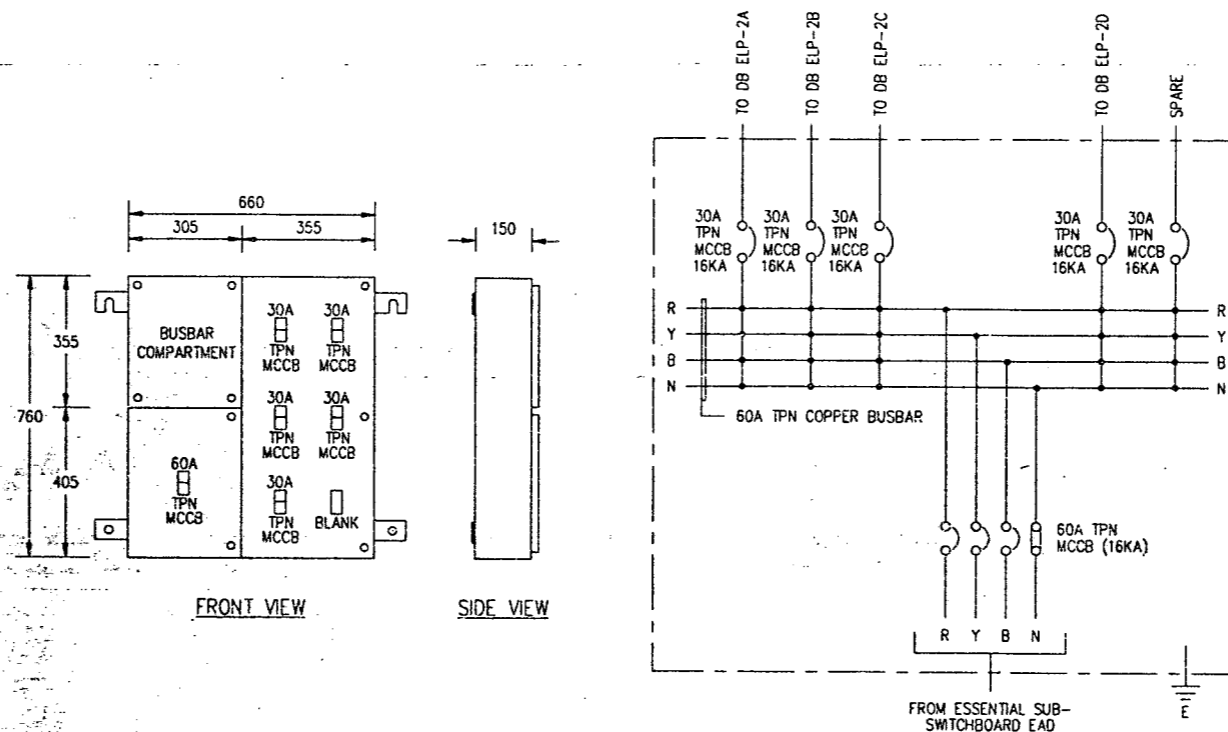
ELECTRICAL CONTRACTOR: SINAR LETRIK KEPONG SDN BHD NO.29, JALAN PJS 11/18, BANDAR SUNWAY, 46150 SELANGOR. TEL : 7318848 FAX : 7316108		CONSULTANT PERUNDING HASHIM & NEH SDN BHD. JURUTERA PERUNDING 62 & 63, JALAN SS2/72, 47300 PETALING JAYA, SELANGOR D.E. TEL : 7555088 FAX : 7555924		PROJECT: CADANGAN PEMBANGUNAN KOMPLEKS BARU INSTITUT KEJURUTERAAN TEKNOLOGI TENAGA NATIONAL (IKATAN) DI ATAS LOT PT 572,573,1164-1174 DAN DI SEBAHAGIAN LOT PT 559,566-570,1050,1051,1054 & 1413.MUKIM DENGKIL, BANGI, SELANGOR D.E.. UNTUK TETUAN T.N.B.		MANUFACTURER: SUNCO SWITCHGEARS SDN. BHD. LOT NO. 14236, 6 1/2 MILES, JALAN PUCHONG, 58200 KUALA LUMPUR. TEL. NO.: 7920711 FAX. NO.: 7926867	
DRAWN: K S LOOI	DESIGNED:	DATE: 8/2/96	DATE OF ISSUED:	DRAWING TITLE: GENERAL ARRANGEMENT & SCHEMATIC DIAGRAM FOR MAIN DB EG		JOB NO.: ST 689/11/95	
CHECKED:	APPROVED:	SCALE: 1 TO 20	NO. OF SET: 26 OF 57			ACAD REF.: 9615-26	DRAWING NO.: SB 015/2/96-26



MAIN DB E1

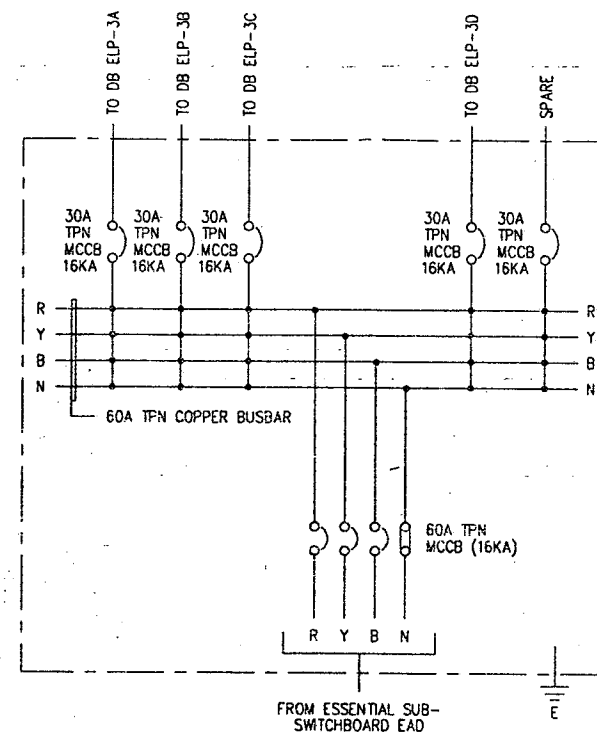
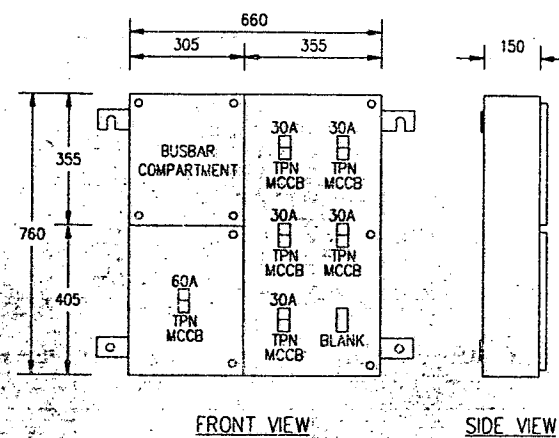
(WALL MOUNTING TYPE)

ELECTRICAL CONTRACTOR: SINAR LETRIK KEPONG SDN BHD NO.29, JALAN PJS 11/18, BANDAR SUNWAY, 46150 SELANGOR. TEL : 7318848 FAX : 7316108		CONSULTANT PERUNDING HASHIM & NEH SDN BHD. JURUTERA PERUNDING 62 & 63, JALAN SS2/72, 47300 PETALING JAYA, SELANGOR D.E. TEL : -7555088 FAX : 7555924		PROJECT: CADANGAN PEMBANGUNAN KOMPLEKS BARU INSTITUT KEJURUTERAAN TEKNOLOGI TENAGA NATIONAL (IKATAN) DI ATAS LOT PT 572,573,1164-1174 DAN DI SEBAHAGIAN LOT PT 559,566-570,1050,1051,1054 & 1413.MUKIM DENGKIL, BANGI, SELANGOR D.E. UNTUK TETUAN T.N.B.		MANUFACTURER: SUNCO SWITCHGEARS SDN. BHD. LOT NO. 14236, 6 1/2 MILES, JALAN PUCHONG, 58200 KUALA LUMPUR. TEL. NO.: 7920711 FAX. NO.: 7926867	
DRAWN: K S LOOI	DESIGNED:	DATE: 8/2/96	DATE OF ISSUED:	DRAWING TITLE: GENERAL ARRANGEMENT & SCHEMATIC DIAGRAM FOR MAIN DB E1		JOB NO.: ST 689/11/95	
CHECKED:	APPROVED:	SCALE: 1 TO 20	NO. OF SET: 27 OF 57	ACAD REF.: 9615-27	DRAWING NO.: SB 015/2/96-27		



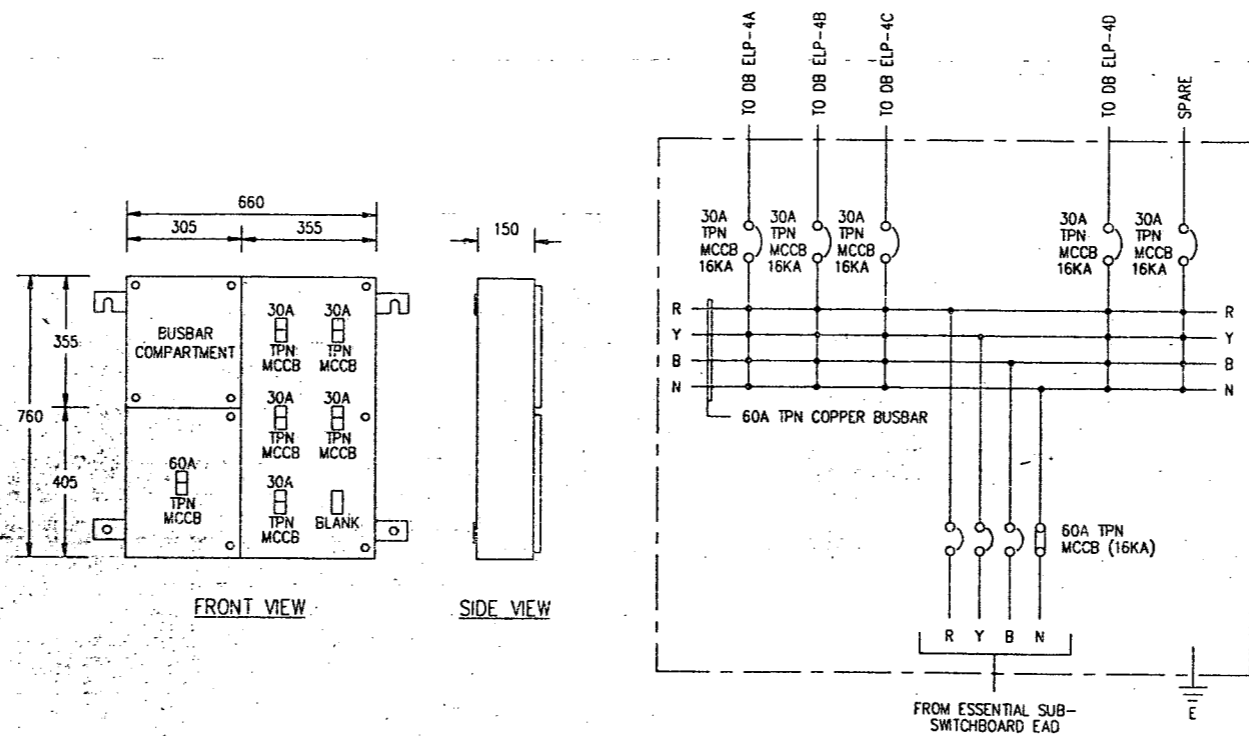
MAIN DB E2
(WALL MOUNTING TYPE)

ELECTRICAL CONTRACTOR:- SINAR LETRIK KEPONG SDN BHD NO.29,JALAN PJS 11/18, BANDAR SUNWAY, 46150 SELANGOR. TEL : 7318848 FAX : 7316108		CONSULTANT PERUNDING HASHIM & NEH SDN BHD. JURUTERA PERUNDING 62 & 63,JALAN SS2/72, 47300 PETALING JAYA,SELANGOR D.E. TEL : 7555088 FAX : 7555924		PROJECT: CADANGAN PEMBANGUNAN KOMPLEKS BARU INSTITUT KEJURUTERAAN TEKNOLOGI TENAGA NATIONAL (IKATAN) DI ATAS LOT PT 572,573,1164-1174 DAN DI SEBAHAGIAN LOT PT 559,566-570,1050,1051,1054 & 1413.MUKIM DENGKIL,BANGI,SELANGOR D.E. UNTUK TETUAN T.N.B.		MANUFACTURER: SUNCO SWITCHGEARS SDN. BHD. LOT NO. 14236, 6 1/2 MILES, JALAN PUCHONG, 58200 KUALA LUMPUR. TEL. NO.: 7920711 FAX. NO.: 7926867	
DRAWN: K S LOOI	DESIGNED:	DATE: 8/2/96	DATE OF ISSUED:	DRAWING TITLE: GENERAL ARRANGEMENT & SCHEMATIC DIAGRAM FOR MAIN DB E2		JOB NO.: ST 689/11/95	
CHECKED:	APPROVED:	SCALE: 1 TO 20	NO. OF SET: 28 OF 57			ACAD REF.: 9615-28	DRAWING NO.: SB 015/2/96-28



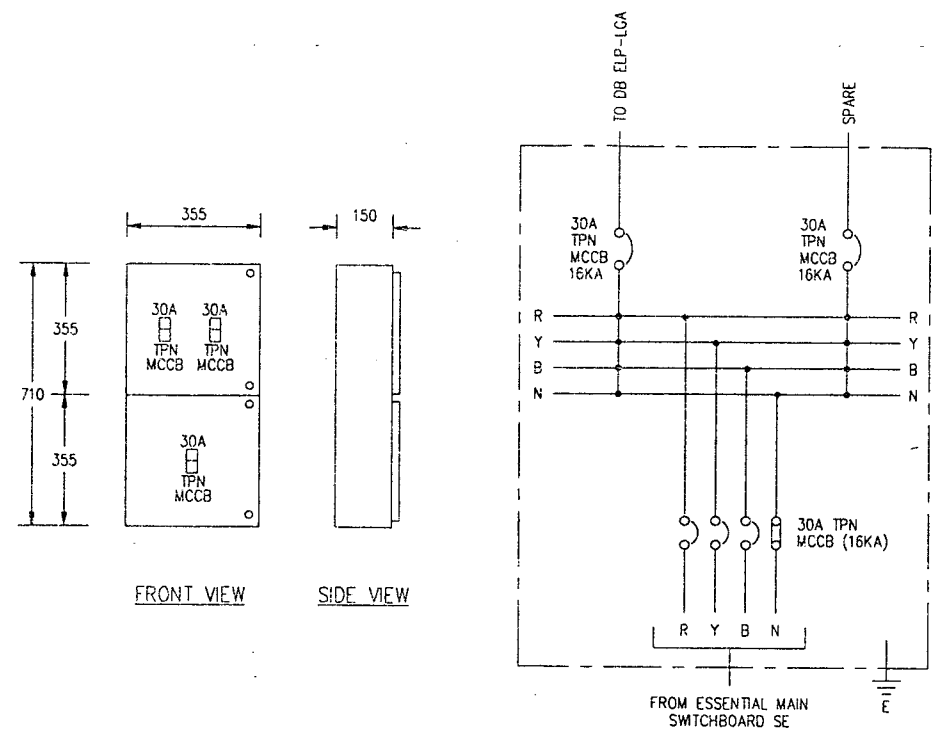
MAIN DB E3
(WALL MOUNTING TYPE)

ELECTRICAL CONTRACTOR:- SINAR LETRIK KEPONG SDN BHD NO.29,JALAN PJS 11/18, BANDAR SUNWAY, 46150 SELANGOR. TEL : 7318848 FAX : 7316108		CONSULTANT PERUNDING HASHIM & NEH SDN BHD. JURUTERA PERUNDING 62 & 63,JALAN SS2/72, 47300 PETALING JAYA,SELANGOR D.E. TEL : 7555088 FAX : 7555924		PROJECT: CADANGAN PEMBANGUNAN KOMPLEKS BARU INSTITUT KEJURUTERAAN TEKNOLOGI TENAGA NATIONAL (IKATAN) DI ATAS LOT PT 572,573,1164-1174 DAN DI SEBAHAGIAN LOT PT 559,566-570,1050,1051,1054 & 1413.MUKIM DENGKIL,BANGI,SELANGOR D.E. UNTUK TETUAN T.N.B.		MANUFACTURER: SUNCO SWITCHGEARS SDN. BHD. LOT NO. 14236, 6 1/2 MILES, JALAN PUCHONG, 58200 KUALA LUMPUR. TEL. NO.: 7920711 FAX. NO.: 7926867	
DRAWN: K S LOOI	DESIGNED:	DATE: 8/2/96	DATE OF ISSUED:	DRAWING TITLE: GENERAL ARRANGEMENT & SCHEMATIC DIAGRAM FOR MAIN DB E3		JOB NO.: ST 689/11/95	
CHECKED:	APPROVED:	SCALE: 1 TO 20	NO. OF SET: 29 OF 57			ACAD REF.: 9615-29	DRAWING NO.: SB 015/2/96-29



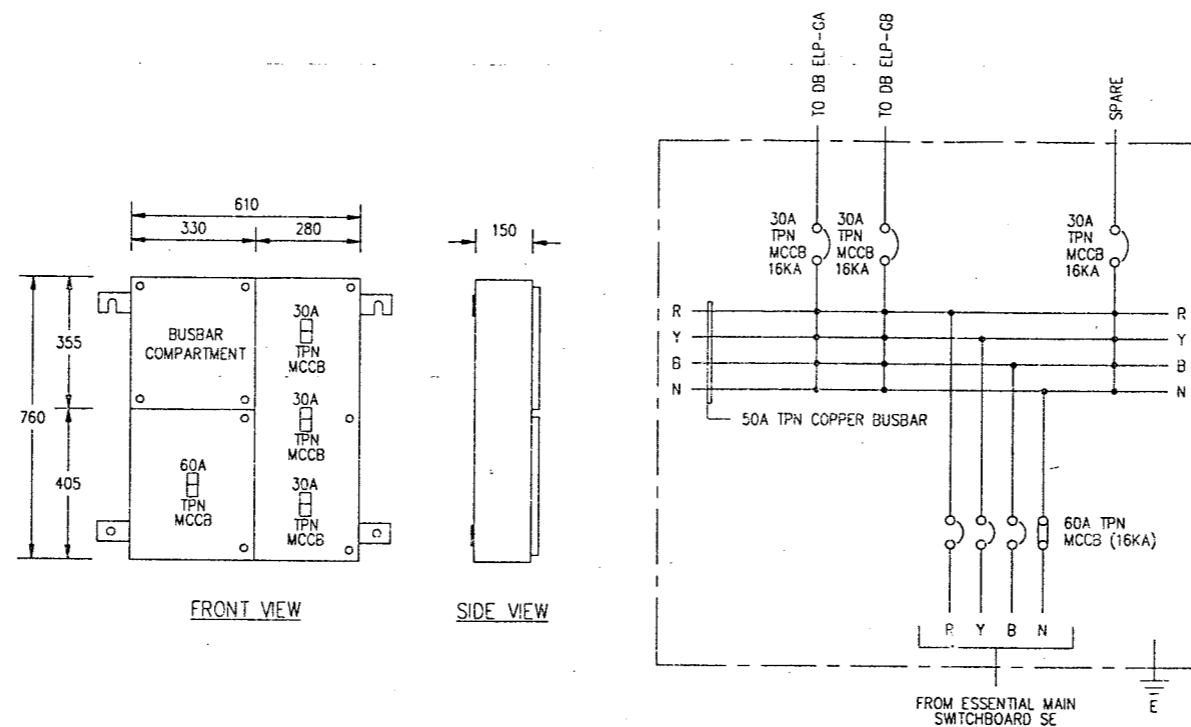
MAIN DB E4
(WALL MOUNTING TYPE)

ELECTRICAL CONTRACTOR: SINAR LETRIK KEPONG SDN BHD NO.29,JALAN PJS 11/18, BANDAR SUNWAY, 46150 SELANGOR. TEL : 7318848 FAX : 7316108		CONSULTANT PERUNDING HASHIM & NEH SDN BHD. JURUTERA PERUNDING 62 & 63,JALAN SS2/72, 47300 PETALING JAYA,SELANGOR D.E. TEL : 7555088 FAX:- 7555924		PROJECT: CADANGAN PEMBANGUNAN KOMPLEKS BARU INSTITUT KEJURUTERAAN TEKNOLOGI TENAGA NATIONAL (IKATAN) DI ATAS LOT PT 572,573,1164-1174 DAN DI SEBAHAGIAN LOT PT 559,566-570,1050,1051,1054 & 1413.MUKIM DENGKIL,BANGI,SELANGOR D.E. UNTUK TETUAN T.N.B.		MANUFACTURER: SUNCO SWITCHGEARS SDN. BHD. LOT NO. 14236, 6 1/2 MILES, JALAN PUCHONG, 58200 KUALA LUMPUR. TEL. NO.: 7920711 FAX. NO.: 7926867	
DRAWN: K S LOOI	DESIGNED:	DATE: 8/2/96	DATE OF ISSUED:	DRAWING TITLE: GENERAL ARRANGEMENT & SCHEMATIC DIAGRAM FOR MAIN DB E4		JOB NO.: ST 689/11/95	
CHECKED:	APPROVED:	SCALE: 1 TO 20	NO. OF SET: 30 OF 57			ACAD REF.: 9615-30	DRAWING NO.: SB 015/2/96-30



MAIN DB ELGA
(WALL MOUNTING TYPE)

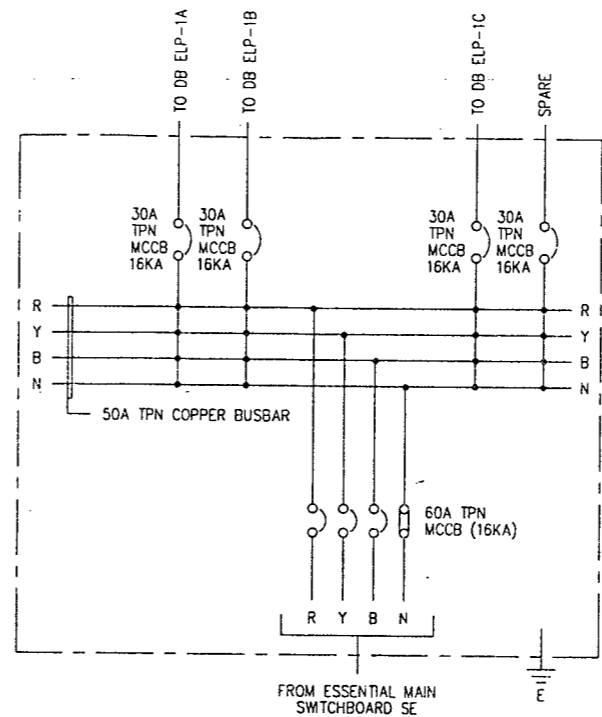
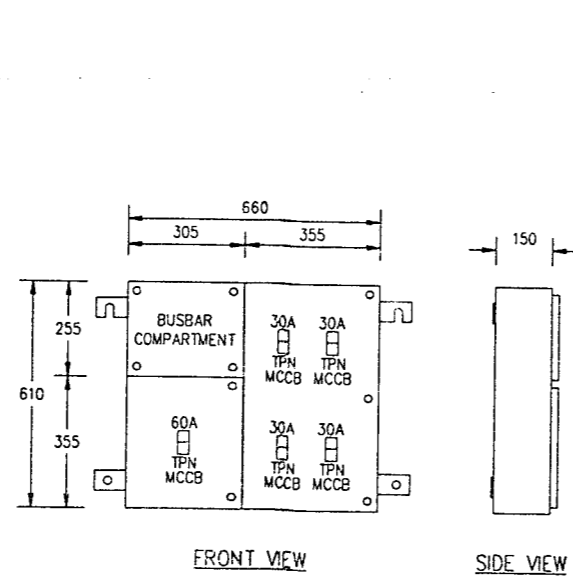
ELECTRICAL CONTRACTOR: SINAR LETRIK KEPONG SDN BHD NO.29,JALAN PJS 11/18, BANDAR SUNWAY, 46150 SELANGOR. TEL : 7318848 FAX : 7316108		CONSULTANT PERUNDING HASHIM & NEH SDN BHD. JURUTERA PERUNDING 62 & 63,JALAN SS2/72, 47300 PETALING JAYA,SELANGOR D.E. TEL : 7555088 FAX : 7555924		PROJECT: CADANGAN PEMBANGUNAN KOMPLEKS BARU INSTITUT KEJURUTERAAN TEKNOLOGI TENAGA NATIONAL (IKATAN) DI ATAS LOT PT 572,573,1164-1174 DAN DI SEBAHAGIAN LOT PT 559,566-570,1050,1051,1054 & 1413.MUKIM DENGKIL,BANGI,SELANGOR D.E. UNTUK TETUAN T.N.B.		MANUFACTURER: SUNCO SWITCHGEARS SDN. BHD. LOT NO. 14236, 6 1/2 MILES, JALAN PUCHONG, 58200 KUALA LUMPUR. TEL. NO.: 7920711 FAX. NO.: 7926867	
DRAWN: K S LOOI	DESIGNED:	DATE: 8/2/96	DATE OF ISSUED:	DRAWING TITLE: GENERAL ARRANGEMENT & SCHEMATIC DIAGRAM FOR MAIN DB ELGA		JOB NO.: ST 689/11/95	
CHECKED:	APPROVED:	SCALE: 1 TO 20	NO. OF SET: 31 OF 57			ACAD REF.: 9615-31	DRAWING NO.: SB 015/2/96-31



MAIN DB EGA

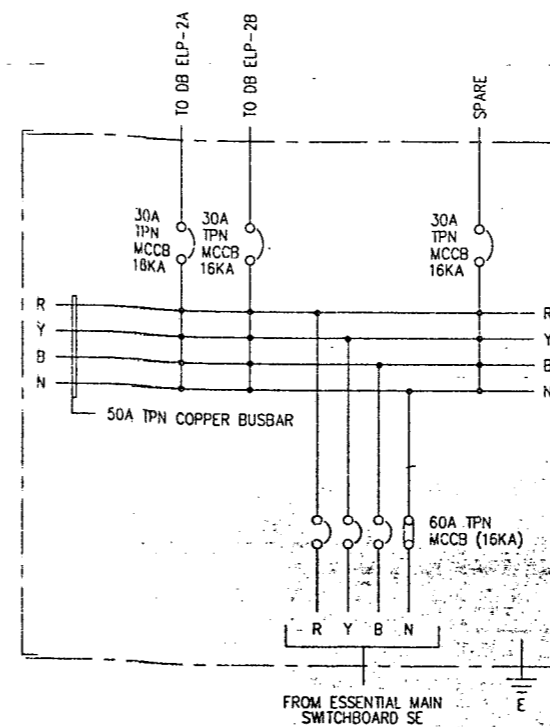
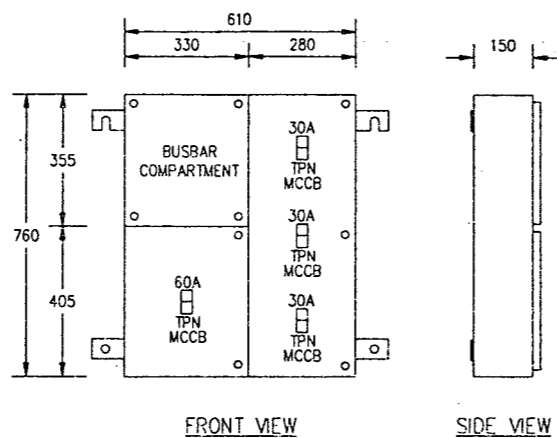
(WALL MOUNTING TYPE)

ELECTRICAL CONTRACTOR: SINAR LETRIK KEPONG SDN BHD NO.29,JALAN PJS 11/18, BANDAR SUNWAY, 46150 SELANGOR. TEL : 7318848 FAX : 7316108		CONSULTANT PERUNDING HASHIM & NEH SDN BHD. JURUTERA PERUNDING 62 & 63,JALAN SS2/72, 47300 PETALING JAYA,SELANGOR D.E. TEL : 7555088 FAX : 7555924		PROJECT: CADANGAN PEMBANGUNAN KOMPLEKS BARU INSTITUT KEJURUTERAAN TEKNOLOGI TENAGA NATIONAL (IKATAN) DI ATAS LOT PT 572,573,1164-1174 DAN DI SEBAHAGIAN LOT PT 559,566-570,1050,1051,1054 & 1413.MUKIM DENGKIL,BANGI,SELANGOR D.E. UNTUK TETUAN T.N.B.		MANUFACTURER: SUNCO SWITCHGEARS SDN. BHD. LOT NO. 14236, 6 1/2 MILES, JALAN PUCHONG, 58200 KUALA LUMPUR. TEL. NO.: 7920711 FAX. NO.: 7926867	
DRAWN: K S LOOI	DESIGNED:	DATE: 8/2/96	DATE OF ISSUED:	DRAWING TITLE: GENERAL ARRANGEMENT & SCHEMATIC DIAGRAM FOR MAIN DB EGA		JOB NO.: ST 689/11/95	
CHECKED:	APPROVED:	SCALE: 1 TO 20	NO. OF SET: 32 OF 57			ACAD REF.: 9615-32	DRAWING NO.: SB 015/2/96-32



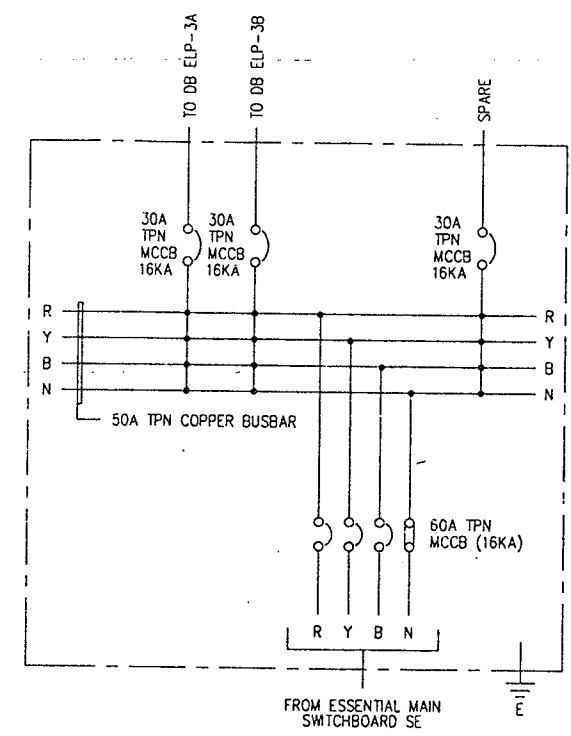
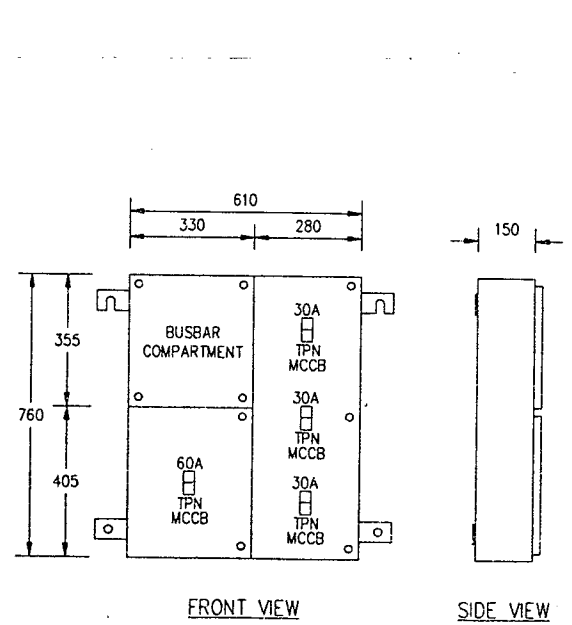
MAIN DB E1A
(WALL MOUNTING TYPE)

ELECTRICAL CONTRACTOR: SINAR LETRIK KEPONG SDN BHD NO.29, JALAN PJS 11/18, BANDAR SUNWAY, 46150 SELANGOR. TEL : 7318848 FAX : 7316108		CONSULTANT PERUNDING HASHIM & NEH SDN BHD. JURUTERA PERUNDING 62 & 63, JALAN SS2/72, 47300 PETALING JAYA, SELANGOR D.E. TEL : 7555088 FAX : 7555924		PROJECT: CADANGAN PEMBANGUNAN KOMPLEKS BARU INSTITUT KEJURUTERAAN TEKNOLOGI TENAGA NATIONAL (IKATAN) DI ATAS LOT PT 572,573,1164-1174 DAN DI SEBAHAGIAN LOT PT 559,566-570,1050,1051,1054 & 1413.MUKIM DENGKIL, BANGI, SELANGOR D.E. UNTUK TETUAN T.N.B.		MANUFACTURER: SUNCO SWITCHGEARS SDN. BHD. LOT NO. 14236, 6 1/2 MILES, JALAN PUCHONG, 58200 KUALA LUMPUR. TEL. NO.: 7920711 FAX. NO.: 7926867	
DRAWN: K S LOOI	DESIGNED:	DATE: 8/2/96	DATE OF ISSUED:	DRAWING TITLE: GENERAL ARRANGEMENT & SCHEMATIC DIAGRAM FOR MAIN DB E1A		JOB NO.: ST 689/11/95	
CHECKED:	APPROVED:	SCALE: 1 TO 20	NO. OF SET: 33 OF 57	ACAD REF.: 9615--33		DRAWING NO.: SB 015/2/96-33	



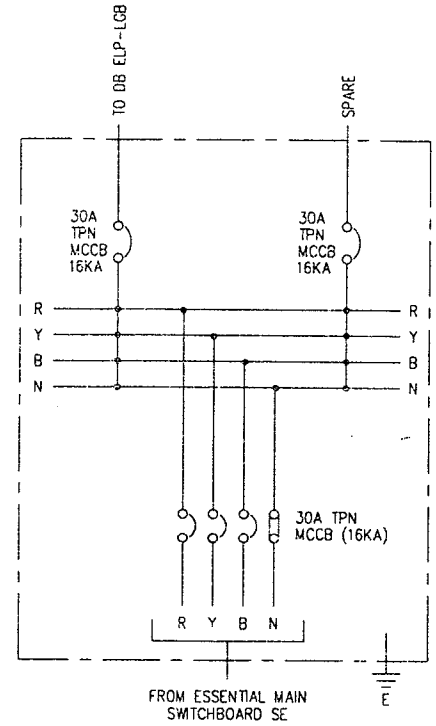
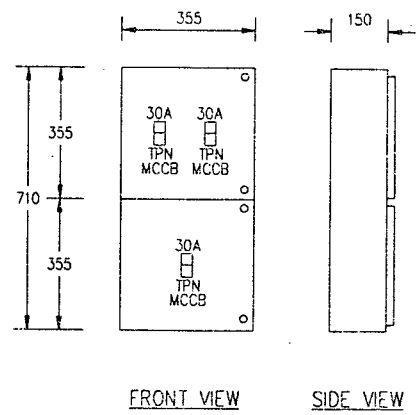
MAIN DB E2A
(WALL MOUNTING TYPE)

ELECTRICAL CONTRACTOR:- SINAR LETRIK KEPONG SDN BHD NO.29,JALAN PJS 11/18, BANDAR SUNWAY, 46150 SELANGOR. TEL : 7318848 FAX : 7316108		CONSULTANT PERUNDING HASHIM & NEH SDN BHD. JURUTERA PERUNDING 62 & 63,JALAN SS2/72, 47300 PETALING JAYA,SELANGOR D.E. TEL : 7555088 FAX : 7555924		PROJECT: CADANGAN PEMBANGUNAN KOMPLEKS BARU INSTITUT KEJURUTERAAN TEKNOLOGI TENAGA NATIONAL (IKATAN) DI ATAS LOT PT 572,573,1164-1174 DAN DI SEBAHAGIAN LOT PT 559,566-570,1050,1051,1054 & 1413.MUKIM DENCKIL,BANGI,SELANGOR D.E. UNTUK TETUAN T.N.B.		MANUFACTURER: SUNCO SWITCHGEARS SDN. BHD. LOT NO. 14236, 6 1/2 MILES, JALAN PUCHONG, 58200 KUALA LUMPUR. TEL. NO.: 7920711 FAX. NO.: 7926867	
DRAWN: K S LOOI	DESIGNED:	DATE: 8/2/96	DATE OF ISSUED:	DRAWING TITLE: GENERAL ARRANGEMENT & SCHEMATIC DIAGRAM FOR MAIN DB E2A		JOB NO.: ST 689/11/95-	
CHECKED:	APPROVED:	SCALE: 1 TO 20	NO. OF SET: 34 OF 57			ACAD REF.: 9615-34	DRAWING NO.: SB 015/2/96-34



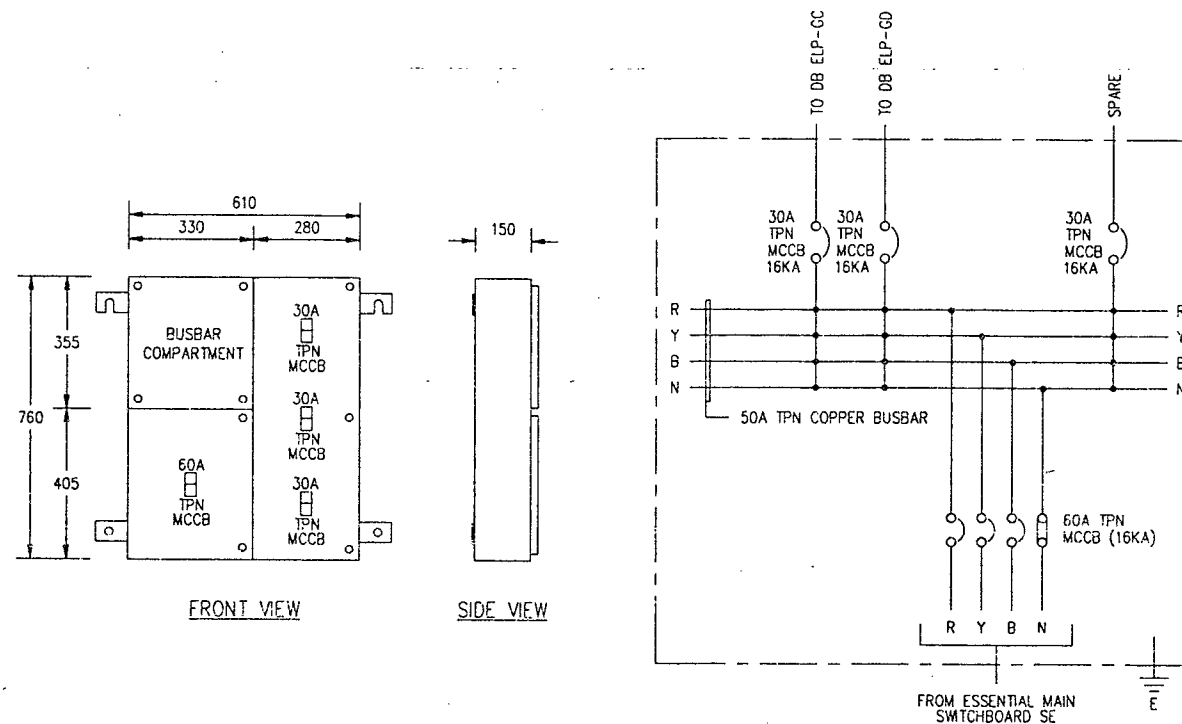
MAIN DB E3A
(WALL MOUNTING TYPE)

ELECTRICAL CONTRACTOR: SINAR LETRIK KEPONG SDN BHD NO.29, JALAN PJS 11/18, BANDAR SUNWAY, 46150 SELANGOR. TEL : 7318848 FAX : 7316108		CONSULTANT PERUNDING HASHIM & NEH SDN BHD. JURUTERA PERUNDING 62 & 63, JALAN SS2/72, 47300 PETALING JAYA, SELANGOR D.E. TEL : 7555088 FAX : 7555924		PROJECT: CADANGAN PEMBANGUNAN KOMPLEKS BARU INSTITUT KEJURUTERAAN TEKNOLOGI TENAGA NATIONAL (IKATAN) DI ATAS LOT PT 572,573,1164-1174 DAN DI SEBAHAGIAN LOT PT 559,566-570,1050,1051,1054 & 1413.MUKIM DENGKIL, BANGI, SELANGOR D.E. UNTUK TETUAN T.N.B.		MANUFACTURER: SUNCO SWITCHGEARS SDN. BHD. LOT NO. 14236, 6 1/2 MILES, JALAN PUCHONG, 58200 KUALA LUMPUR. TEL. NO.: 7920711 FAX. NO.: 7926867	
DRAWN: K S LOOI	DESIGNED:	DATE: 8/2/96	DATE OF ISSUED:	DRAWING TITLE: GENERAL ARRANGEMENT & SCHEMATIC DIAGRAM FOR MAIN DB E3A		JOB NO.: ST 689/11/95	
CHECKED:	APPROVED:	SCALE: 1 TO 20	NO. OF SET: 35 OF 57			ACAD REF.: 9615-35	DRAWING NO.: SB 015/2/96-35



MAIN DB ELGB
(WALL MOUNTING TYPE)

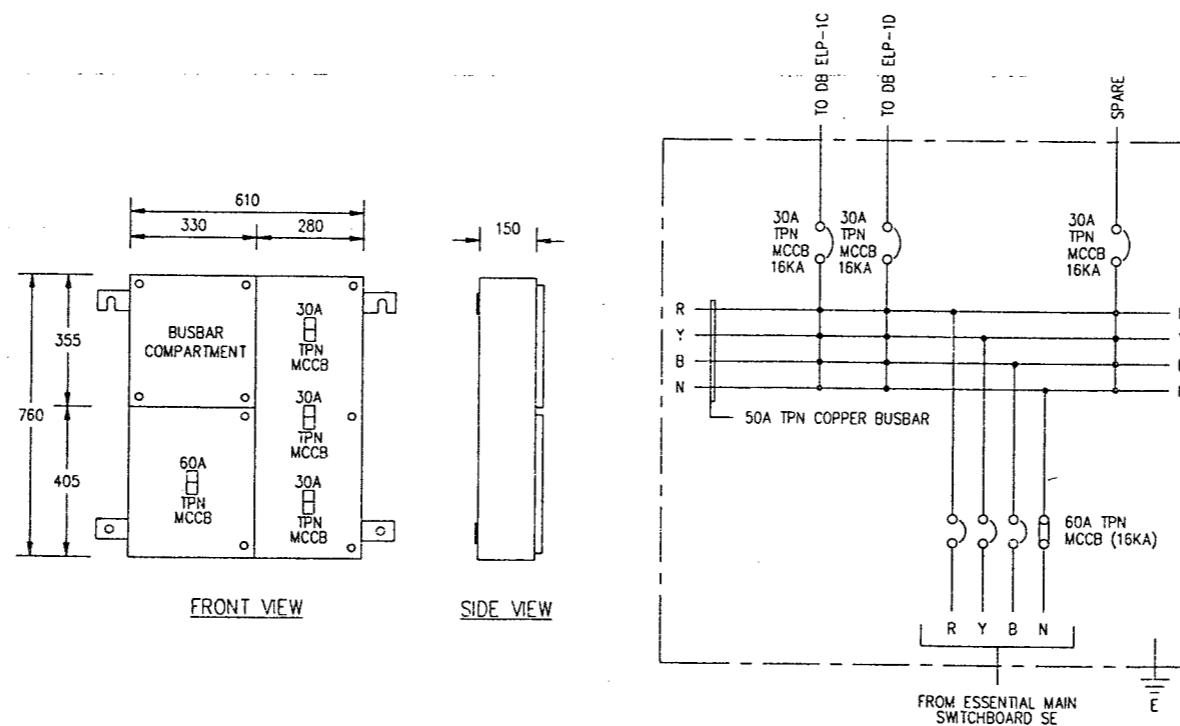
ELECTRICAL CONTRACTOR: SINAR LETRIK KEPONG SDN BHD NO.29,JALAN PJS 11/18, BANDAR SUNWAY, 46150 SELANGOR. TEL : 7318848 FAX : 7316108		CONSULTANT PERUNDING HASHIM & NEH SDN BHD. JURUTERA PERUNDING 62 & 63,JALAN SS2/72, 47300 PETALING JAYA,SELANGOR D.E. TEL : 7555088 FAX : 7555924		PROJECT: CADANGAN PEMBANGUNAN KOMPLEKS BARU INSTITUT KEJURUTERAAN TEKNOLOGI TENAGA NATIONAL (IKATAN) DI ATAS LOT PT 572,573,1164-1174 DAN DI SEBAHAGIAN LOT PT 559,566-570,1050,1051,1054 & 1413.MUKIM DENCKIL,BANGI,SELANGOR D.E. UNTUK TETUAN T.N.B.		MANUFACTURER: SUNCO SWITCHGEARS SDN. BHD. LOT NO. 14236, 6 1/2 MILES, JALAN PUCHONG, 58200 KUALA LUMPUR. TEL. NO.: 7920711 FAX. NO.: 7926867	
DRAWN: K S LOOI	DESIGNED:	DATE: 8/2/96	DATE OF ISSUED:	DRAWING TITLE: GENERAL ARRANGEMENT & SCHEMATIC DIAGRAM FOR MAIN DB ELGB		JOB NO.: ST 689/11/95	
CHECKED:	APPROVED:	SCALE: 1 TO 20	NO. OF SET: 36 OF 57			ACAD REF.: 9615-36	DRAWING NO.: SB 015/2/96-36



MAIN DB EGB

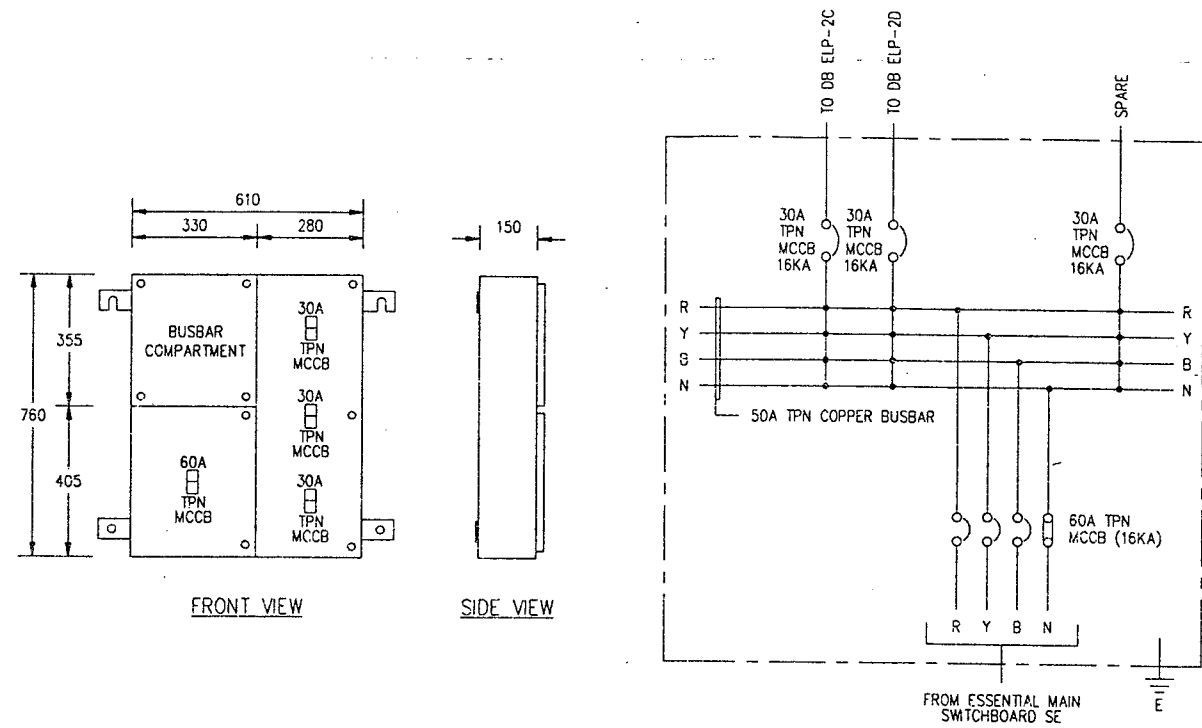
(WALL MOUNTING TYPE)

ELECTRICAL CONTRACTOR:- SINAR LETRIK KEPONG SDN BHD NO.29,JALAN PJS 11/18, BANDAR SUNWAY, 46150 SELANGOR. TEL : 7318848 FAX : 7316108		CONSULTANT PERUNDING HASHIM & NEH SDN BHD. JURUTERA PERUNDING 62 & 63,JALAN SS2/72, 47300 PETALING JAYA,SELANGOR D.E. TEL : 7555088 FAX : 7555924		PROJECT: CADANGAN PEMBANGUNAN KOMPLEKS BARU INSTITUT KEJURUTERAAN TEKNOLOGI TENAGA NATIONAL (IKATAN) DI ATAS LOT PT 572,573,1164-1174 DAN DI SEBAHAGIAN LOT PT 559,566-570,1050,1051,1054 & 1413.MUKIM DENGKIL,BANGI,SELANGOR D.E. UNTUK TETUAN T.N.B.		MANUFACTURER: SUNCO SWITCHGEARS SDN. BHD. LOT NO. 14236, 6 1/2 MILES, JALAN PUCHONG, 58200 KUALA LUMPUR. TEL. NO.: 7920711 FAX. NO.: 7926867	
DRAWN: K S LOOI	DESIGNED:	DATE: 8/2/96	DATE OF ISSUED:	DRAWING TITLE: GENERAL ARRANGEMENT & SCHEMATIC DIAGRAM FOR MAIN DB EGB		JOB NO.: ST 689/11/95	
CHECKED:	APPROVED:	SCALE: 1 TO 20	NO. OF SET: 37 OF 57			ACAD REF.: 9615-37	DRAWING NO.: SB 015/2/96-37



MAIN DB E1B
(WALL MOUNTING TYPE)

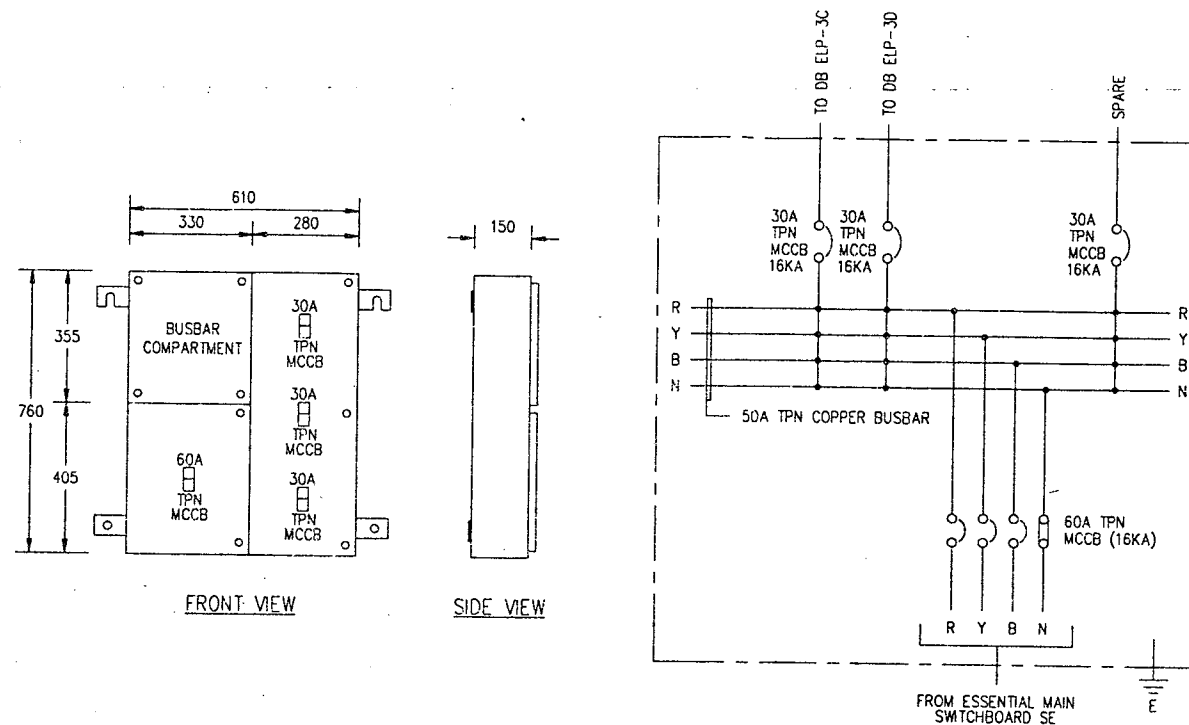
ELECTRICAL CONTRACTOR: SINAR LETRIK KEPONG SDN BHD NO.29, JALAN PJS 11/18, BANDAR SUNWAY, 46150 SELANGOR. TEL : 7318848 FAX : 7316108		CONSULTANT PERUNDING HASHIM & NEH SDN BHD. JURUTERA PERUNDING 62 & 63, JALAN SS2/72, 47300 PETALING JAYA, SELANGOR D.E. TEL : 7555088 FAX : 7555924		PROJECT: CADANGAN PEMBANGUNAN KOMPLEKS BARU INSTITUT KEJURUTERAAN TEKNOLOGI TENAGA NATIONAL (IKATAN) DI ATAS LOT PT 572,573,1164-1174 DAN DI SEBAHAGIAN LOT PT 559,566-570,1050,1051,1054 & 1413.MUKIM DENGKIL, BANGI, SELANGOR D.E. UNTUK TETUAN T.N.B.		MANUFACTURER: SUNCO SWITCHGEARS SDN. BHD. LOT NO. 14236, 6 1/2 MILES, JALAN PUCHONG, 58200 KUALA LUMPUR. TEL. NO.: 7920711 FAX. NO.: 7926867	
DRAWN: K S LOOI	DESIGNED:	DATE: 8/2/96	DATE OF ISSUED:	DRAWING TITLE: GENERAL ARRANGEMENT & SCHEMATIC DIAGRAM FOR MAIN DB E1B		JOB NO.: ST 689/11/95	
CHECKED:	APPROVED:	SCALE: 1 TO 20	NO. OF SET: 38 OF 57			ACAD REF.: 9615-38	DRAWING NO.: SB 015/2/96-38



MAIN DB E2B

(WALL MOUNTING TYPE)

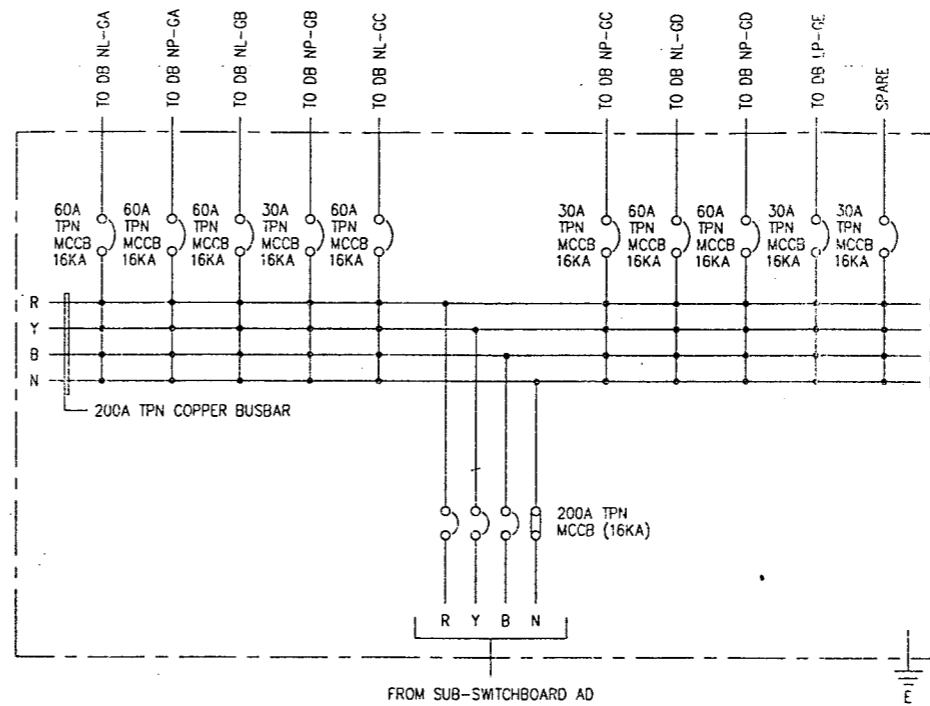
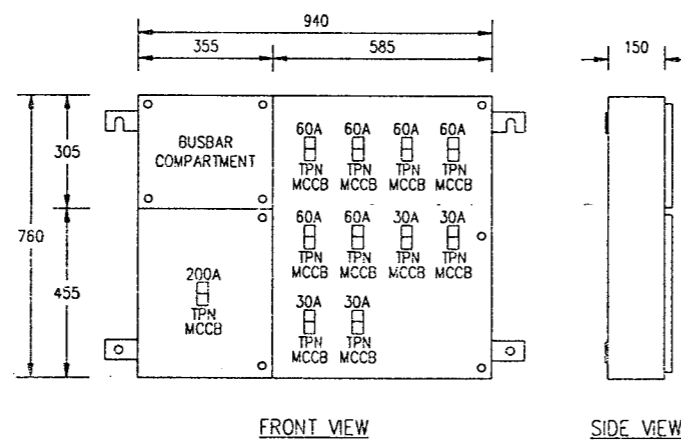
ELECTRICAL CONTRACTOR: SINAR LETRIK KEPONG SDN BHD NO.29, JALAN PJS 11/18, BANDAR SUNWAY, 46150 SELANGOR. TEL: 7318848 FAX: 7316108		CONSULTANT PERUNDING HASHIM & NEH SDN BHD. JURUTERA PERUNDING 62 & 63, JALAN SS2/72, 47300 PETALING JAYA, SELANGOR D.E. TEL: 7555088 FAX: 7555924		PROJECT: CADANGAN PEMBANGUNAN KOMPLEKS BARU INSTITUT KEJURUTERAAN TEKNOLOGI TENAGA NATIONAL (IKATAN) DI ATAS LOT PT 572,573,1164-1174 DAN DI SEBAHAGIAN LOT PT 559,566-570,1050,1051,1054 & 1413.MUKIM DENGKIL, BANGI, SELANGOR D.E. UNTUK TETUAN T.N.B.		MANUFACTURER: SUNCO SWITCHGEARS SDN. BHD. LOT NO. 14236, 6 1/2 MILES, JALAN PUCHONG, 58200 KUALA LUMPUR. TEL. NO.: 7920711 FAX. NO.: 7926867	
DRAWN: K.S LOOI	DESIGNED:	DATE: 8/2/96	DATE OF ISSUED:	DRAWING TITLE: GENERAL ARRANGEMENT & SCHEMATIC DIAGRAM FOR MAIN DB E2B		JOB NO.: ST 689/11/95	
CHECKED:	APPROVED:	SCALE: 1 TO 20	NO. OF SET: 39 OF 57			ACAD REF.: 9615-39	DRAWING NO.: SB 015/2/96-39



MAIN DB E3B

(WALL MOUNTING TYPE)

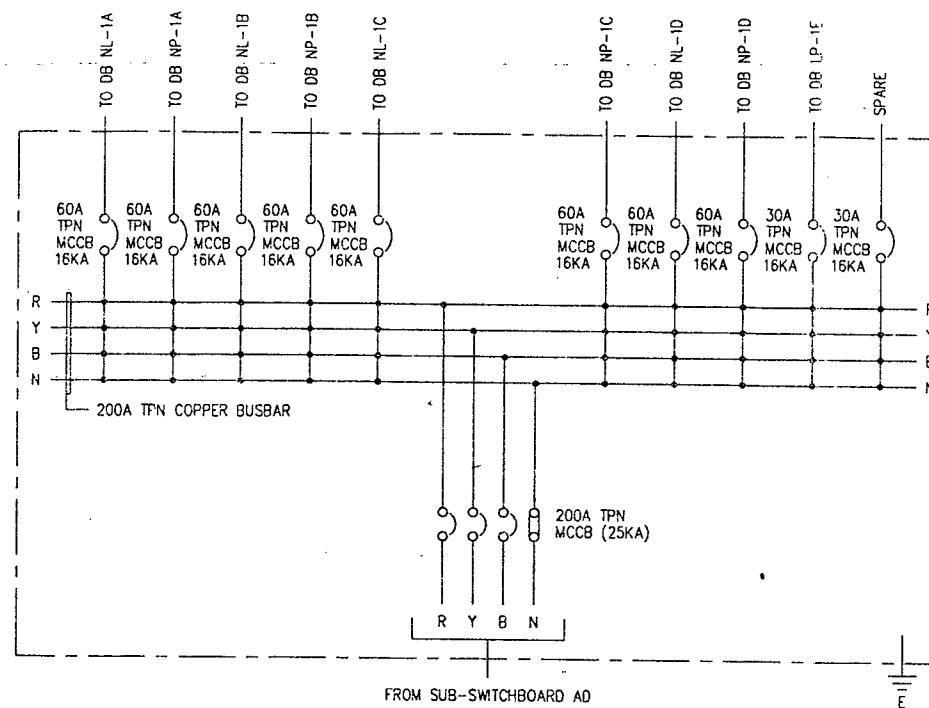
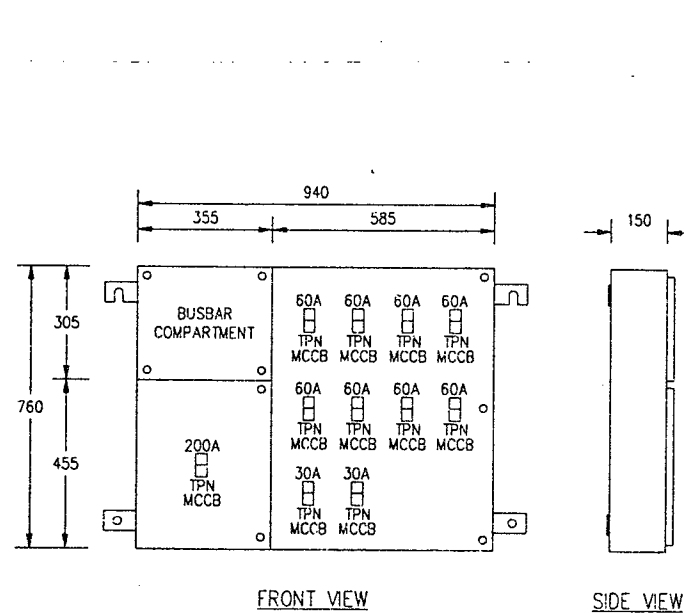
ELECTRICAL CONTRACTOR: SINAR LETRIK KEPONG SDN BHD NO.29,JALAN PJS 11/18, BANDAR SUNWAY, 46150 SELANGOR. TEL : 7318848 FAX : 7316108		CONSULTANT PERUNDING HASHIM & NEH SDN BHD. JURUTERA PERUNDING 62 & 63,JALAN SS2/72, 47300 PETALING JAYA,SELANGOR D.E. TEL : 7555088 FAX : 7555924		PROJECT: CADANGAN PEMBANGUNAN KOMPLEKS BARU INSTITUT KEJURUTERAAN TEKNOLOGI TENAGA NATIONAL (IKATAN) DI ATAS LOT-PT 572,573,1164-1174 DAN DI SEBAHAGIAN LOT PT 559,566-570,1050,1051,1054 & 1413.MUKIM DENGKIL,BANGI,SELANGOR D.E. UNTUK TETUAN T.N.B.		MANUFACTURER: SUNCO SWITCHGEARS SDN. BHD. LOT NO. 14236, 6 1/2 MILES, JALAN PUCHONG, 58200 KUALA LUMPUR. TEL. NO.: 7920711 FAX: NO.: 7926867	
DRAWN: K S LOOI	DESIGNED:	DATE: 8/2/96	DATE OF ISSUED:	DRAWING TITLE: GENERAL ARRANGEMENT & SCHEMATIC DIAGRAM FOR MAIN DB E3B		JOB NO.: ST 689/11/95	
CHECKED:	APPROVED:	SCALE: 1 TO 20	NO. OF SET: 40 OF 57	ACAD REF.: 9615-40	DRAWING NO.: SB 015/2/96-40		



MAIN DB NG

(WALL MOUNTING TYPE)

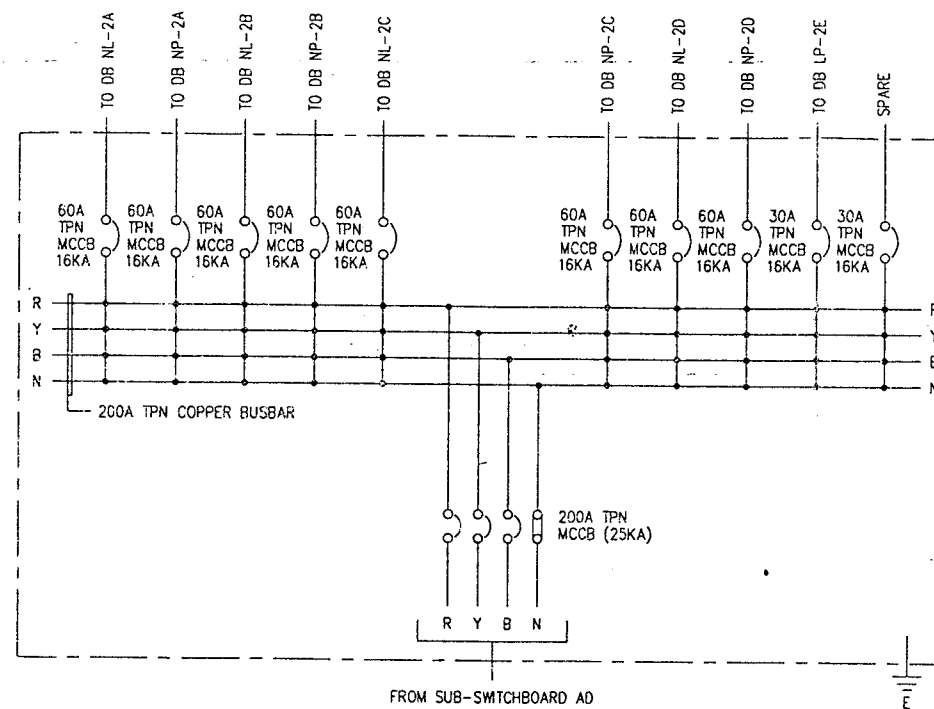
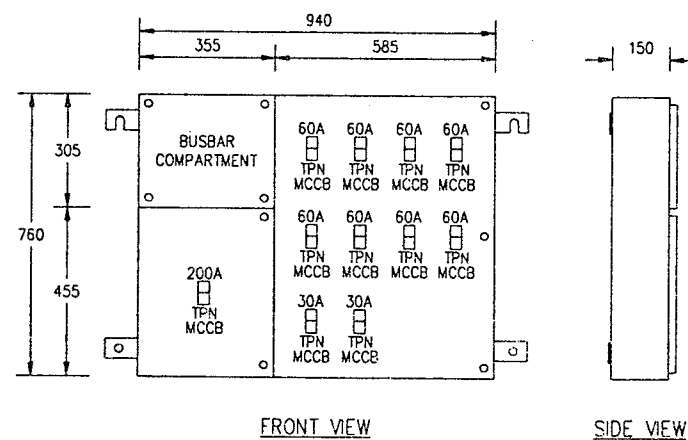
ELECTRICAL CONTRACTOR: SINAR LETRIK KEPONG SDN BHD NO.29,JALAN PJS 11/18, BANDAR SUNWAY, 46150 SELANGOR. TEL : 7318848 FAX : 7316108		CONSULTANT PERUNDING HASHIM & NEH SDN BHD. JURUTERA PERUNDING 62 & 63,JALAN SS2/72, 47300 PETALING JAYA,SELANGOR D.E. TEL : 7555088 FAX : 7555924		PROJECT: CADANGAN PEMBANGUNAN KOMPLEKS BARU INSTITUT KEJURUTERAAN TEKNOLOGI TENAGA NATIONAL (IKATAN) DI ATAS LOT PT 572,573,1164-1174 DAN DI SEBAHAGIAN LOT PT 559,566-570,1050,1051,1054 & 1413.MUKIM DENGKIL,BANGI,SELANGOR D.E. UNTUK TETUAN T.N.B.		MANUFACTURER: SUNCO SWITCHGEARS SDN. BHD. LOT NO. 14236, 6 1/2 MILES, JALAN PUCHONG, 58200 KUALA LUMPUR. TEL. NO.: 7920711 FAX. NO.: 7926867	
DRAWN: K S LOOI	DESIGNED:	DATE: 8/2/96	DATE OF ISSUED:	DRAWING TITLE: GENERAL ARRANGEMENT & SCHEMATIC DIAGRAM FOR MAIN DB NG		JOB NO.: ST 689/11/95	
CHECKED:	APPROVED:	SCALE: 1 TO 20	NO. OF SET: 41 OF 57			ACAD REF.: 9615-41	DRAWING NO.: SB 015/2/96-41



MAIN DB N1

(WALL MOUNTING TYPE)

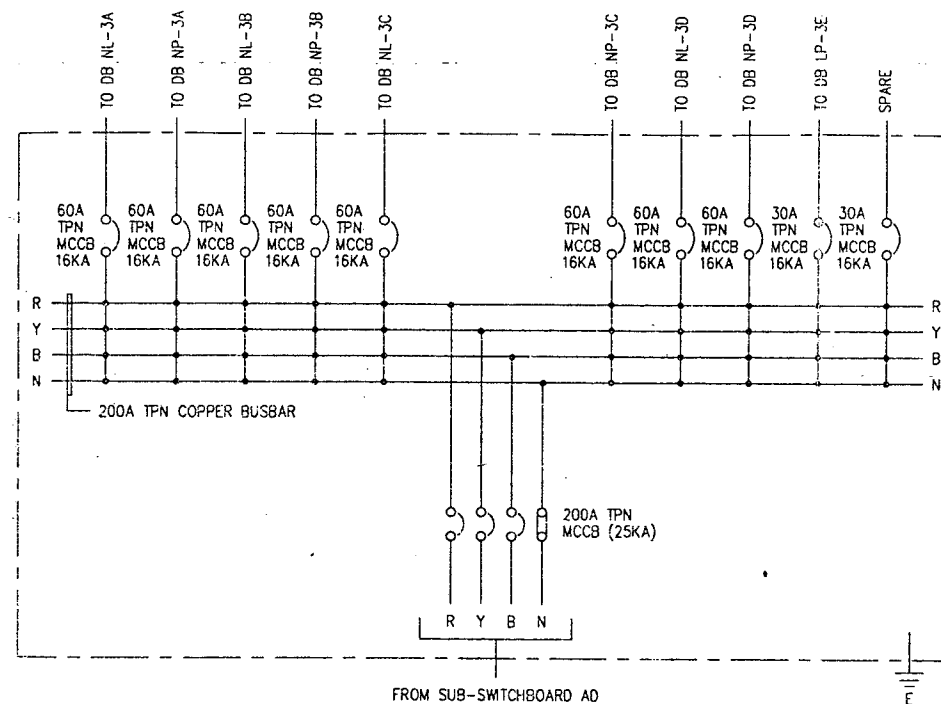
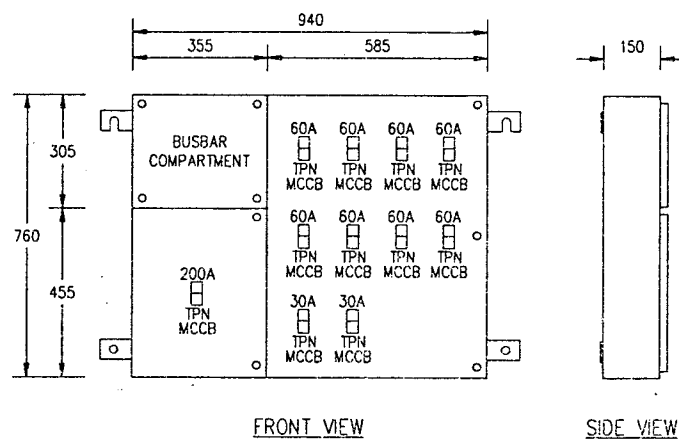
ELECTRICAL CONTRACTOR: - SINAR LETRIK KEPONG SDN BHD NO.29,JALAN PJS 11/18, BANDAR SUNWAY, 46150 SELANGOR. TEL : 7318848 FAX : 7316108		CONSULTANT PERUNDING HASHIM & NEH SDN BHD. JURUTERA PERUNDING 62 & 63,JALAN SS2/72, 47300 PETALING JAYA,SELANGOR D.E. TEL : 7555088 FAX : 7555924		PROJECT: CADANGAN PEMBANGUNAN KOMPLEKS BARU INSTITUT KEJURUTERAAN TEKNOLOGI TENAGA NATIONAL (IKATAN) DI ATAS LOT PT 572,573,1164-1174 DAN DI SEBAHAGIAN LOT PT 559,566-570,1050,1051,1054 & 1413.MUKIM DENGKIL,BANGI,SELANGOR D.E. UNTUK TETUAN T.N.B.		MANUFACTURER: SUNCO SWITCHGEARS SDN. BHD. LOT NO. 14236, 6 1/2 MILES, JALAN PUCHONG, 58200 KUALA LUMPUR. TEL. NO.: 7920711 FAX. NO.: 7926867	
DRAWN: K. S. LOOI	DESIGNED:	DATE: 8/2/96	DATE OF ISSUED:	DRAWING TITLE: GENERAL ARRANGEMENT & SCHEMATIC DIAGRAM FOR MAIN DB N1		JOB NO.: ST 689/11/95	
CHECKED:	APPROVED:	SCALE: 1 TO 20	NO. OF SET: 42 OF 57			ACAD REF.: 9615-42	DRAWING NO.: SB 015/2/96-42



MAIN DB N2

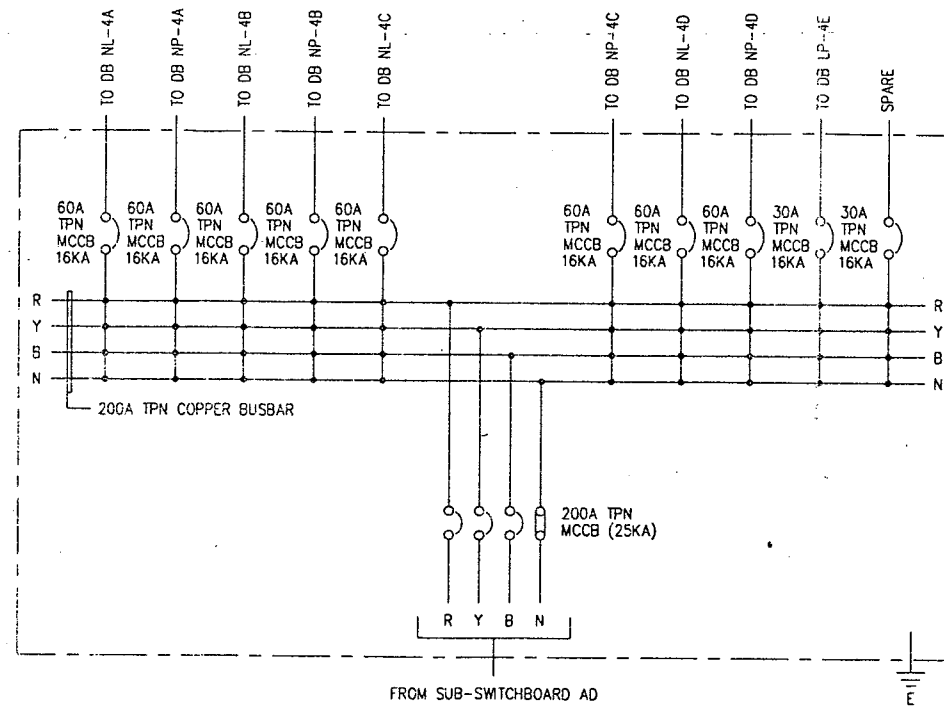
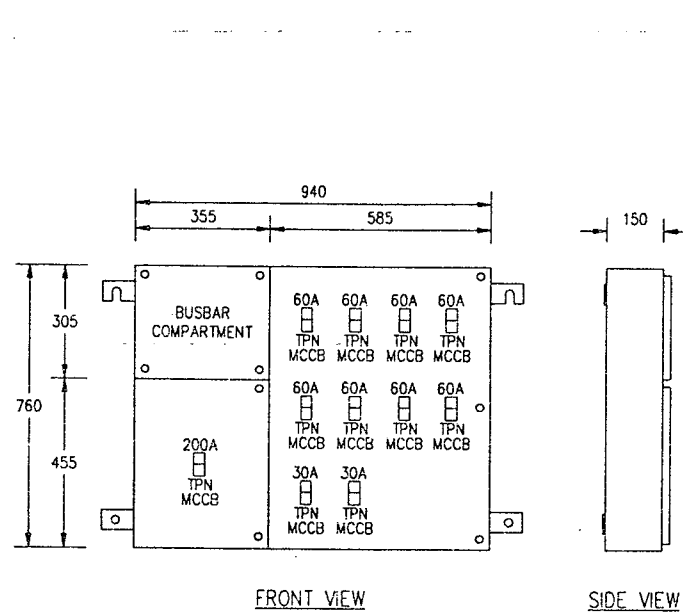
(WALL MOUNTING TYPE)

ELECTRICAL CONTRACTOR: SINAR LETRIK KEPONG SDN BHD NO.29, JALAN PJS 11/18, BANDAR SUNWAY, 46150 SELANGOR. TEL : 7318848 FAX : 7316108		CONSULTANT PERUNDING HASHIM & NEH SDN BHD. JURUTERA PERUNDING 62 & 63, JALAN SS2/72, 47300 PETALING JAYA, SELANGOR D.E. TEL : 7555088 FAX : 7555924		PROJECT: CADANGAN PEMBANGUNAN KOMPLEKS BARU INSTITUT KEJURUTERAAN TEKNOLOGI TENAGA NATIONAL (IKATAN) DI ATAS LOT PT 572,573,1164-1174 DAN DI SEBAHAGIAN LOT PT 559,566-570,1050,1051,1054 & 1413.MUKIM DENGKIL, BANGI, SELANGOR D.E. UNTUK TETUAN T.N.B.		MANUFACTURER: SUNCO SWITCHGEARS SDN. BHD. LOT NO. 14236, 6 1/2 MILES, JALAN PUCHONG, 58200 KUALA LUMPUR. TEL. NO.: 7920711 FAX: NO.: 7926867	
DRAWN: K.S LOOI	DESIGNED:	DATE: 8/2/96	DATE OF ISSUED:	DRAWING TITLE: GENERAL ARRANGEMENT & SCHEMATIC DIAGRAM FOR MAIN DB N2		JOB NO.: ST 689/11/95	
CHECKED:	APPROVED:	SCALE: 1 TO 20	NO. OF SET: 43 OF 57	ACAD REF.: 9615-43		DRAWING NO.: SB 015/2/96-43	



MAIN DB N3
(WALL MOUNTING TYPE)

ELECTRICAL CONTRACTOR:- SINAR LETRIK KEPONG SDN BHD NO.29,JALAN PJS 11/18, BANDAR SUNWAY, 46150 SELANGOR. TEL : 7318848 FAX : 7316108		CONSULTANT PERUNDING HASHIM & NEH SDN BHD. JURUTERA PERUNDING 62 & 63,JALAN SS2/72, 47300 PETALING JAYA,SELANGOR D.E. TEL : 7555088 FAX : 7555924		PROJECT: CADANGAN PEMBANGUNAN KOMPLEKS BARU INSTITUT KEJURUTERAAN TEKNOLOGI TENAGA NATIONAL (IKATAN). DI ATAS LOT PT 572,573,1164-1174 DAN DI SEBAHAGIAN LOT PT 559,566-570,1050,1051,1054 & 1413.MUKIM DENGKIL,BANGI,SELANGOR D.E. UNTUK TETUAN T.N.B.		MANUFACTURER: SUNCO SWITCHGEARS SDN. BHD. LOT NO. 14236, 6 1/2 MILES, JALAN PUCHONG, 58200 KUALA LUMPUR. TEL. NO.: 7920711 FAX. NO.: 7926867	
DRAWN: K S LOOI	DESIGNED:	DATE: 8/2/96	DATE OF ISSUED:	DRAWING TITLE: GENERAL ARRANGEMENT & SCHEMATIC DIAGRAM FOR MAIN DB N3		JOB NO.: ST 689/11/95	
CHECKED:	APPROVED:	SCALE: 1 TO 20	NO. OF SET: 44 OF 57			ACAD REF.: 9615-44	DRAWING NO.: SB 015/2/96-44



MAIN DB N4

(WALL MOUNTING TYPE)

ELECTRICAL CONTRACTOR:
SINAR LETRIK KEPONG SDN BHD
 NO.29, JALAN PJS 11/18,
 BANDAR SUNWAY,
 46150 SELANGOR.
 TEL : 7318848
 FAX : 7316108

CONSULTANT
PERUNDING HASHIM & NEH SDN BHD.
 JURUTERA PERUNDING
 62 & 63, JALAN SS2/72,
 47300-PETALING-JAYA, SELANGOR D.E.
 TEL : 7555088
 FAX : 7555924

PROJECT:
 CADANGAN PEMBANGUNAN KOMPLEKS BARU INSTITUT
 KEJURUTERAAN TEKNOLOGI TENAGA NATIONAL (IKATAN)
 DI ATAS LOT PT 572,573,1164-1174 DAN DI SEBAHAGIAN
 LOT PT 559,566-570,1050,1051,1054 & 1413.MUKIM
 DENGKIL,BANGI,SELANGOR D.E. UNTUK. TETUAN T.N.B.

MANUFACTURER:
SUNCO SWITCHGEARS SDN. BHD.
 LOT NO. 14236, 6 1/2 MILES,
 JALAN PUCHONG,
 58200 KUALA LUMPUR.
 TEL. NO.: 7920711
 FAX. NO.: 7926867

DRAWN: K S LOOI

DESIGNED:

DATE: 8/2/96

DATE OF ISSUED:

DRAWING TITLE:
 GENERAL ARRANGEMENT & SCHEMATIC DIAGRAM FOR
 MAIN DB N4

JOB NO.: ST 689/11/95

CHECKED:

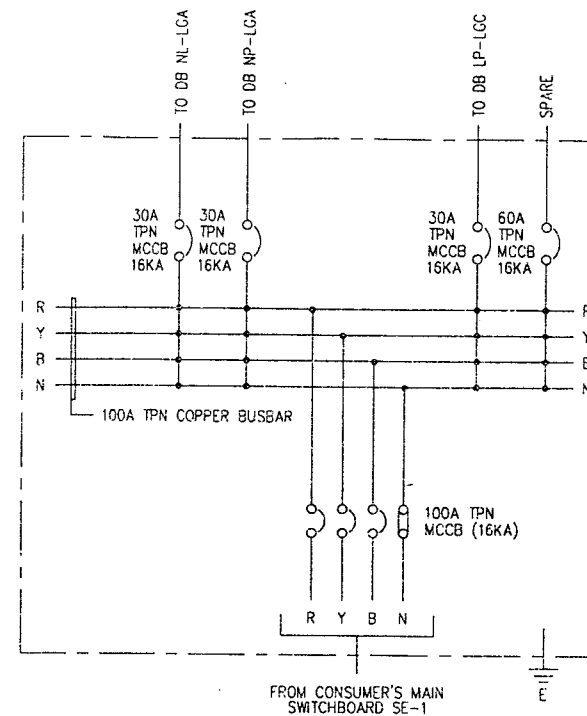
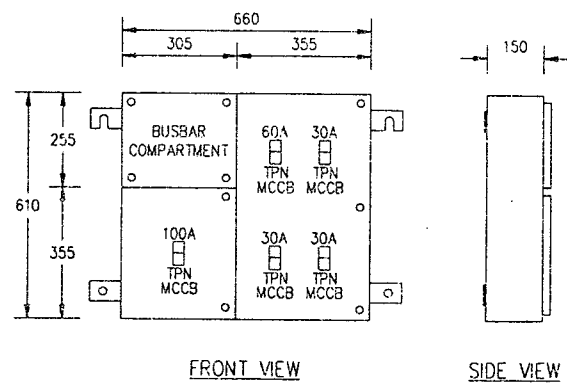
APPROVED:

SCALE: 1 TO 20

NO. OF SET: 45 OF 57

ACAD REF.: 9615-45

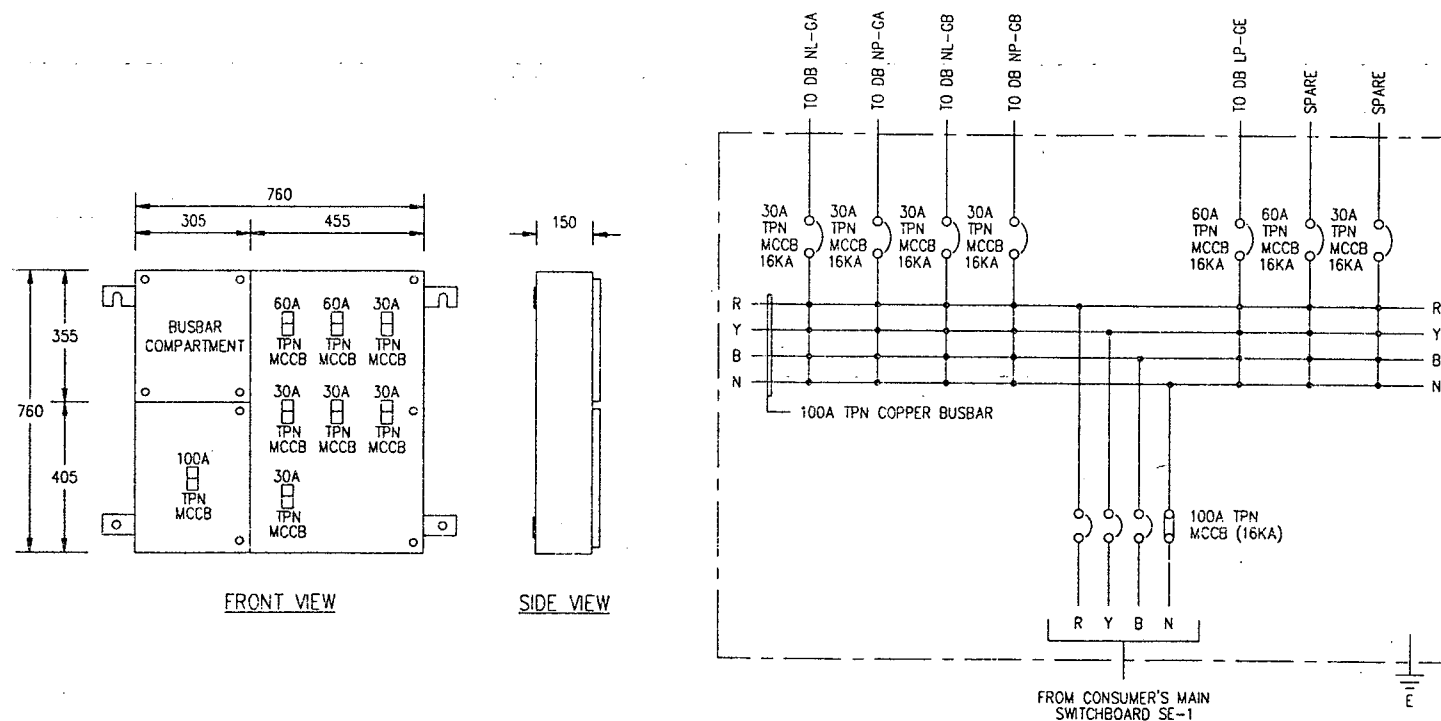
DRAWING NO.: SB 015/2/96-45



MAIN DB NLGA

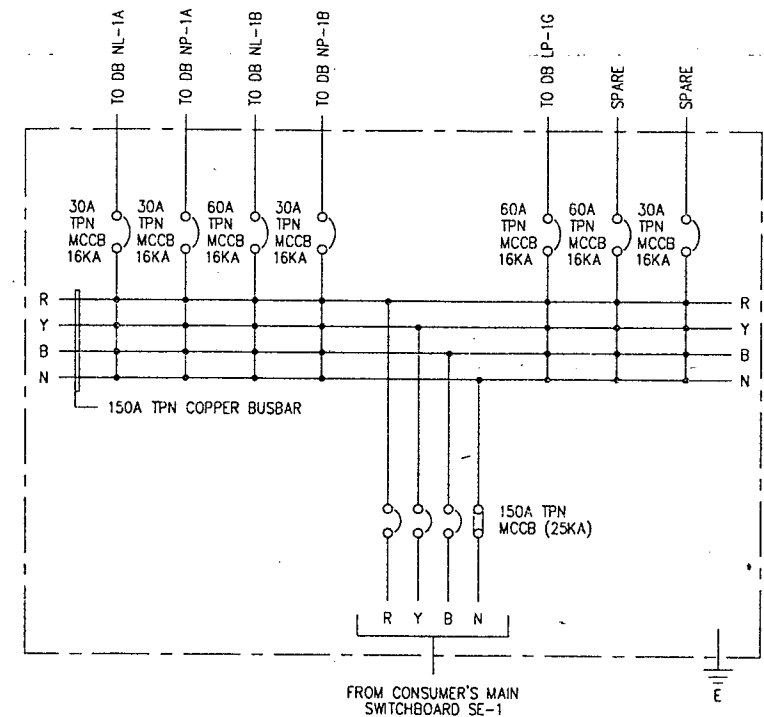
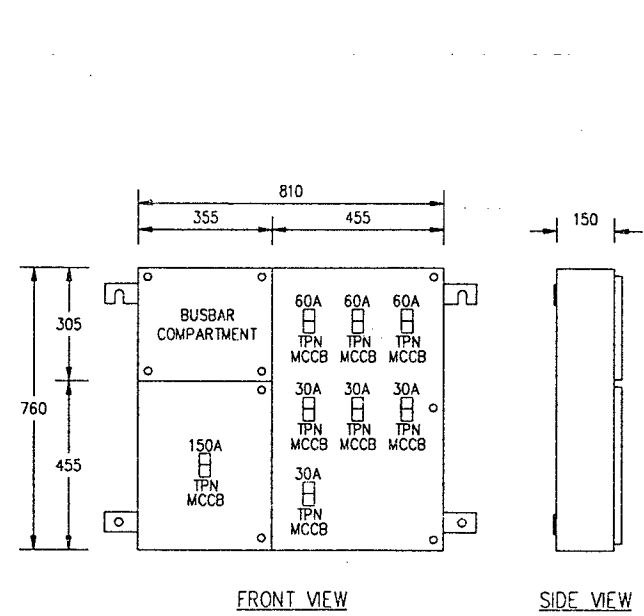
(WALL MOUNTING TYPE)

ELECTRICAL CONTRACTOR: SINAR LETRIK KEPONG SDN BHD NO.29,JALAN PJS 11/18, BANDAR SUNWAY, 46150 SELANGOR. TEL : 7318848 FAX : 7316108		CONSULTANT PERUNDING HASHIM & NEH SDN BHD. JURUTERA PERUNDING 62 & 63,JALAN SS2/72, 47300 PETALING JAYA,SELANGOR D.E. TEL : 7555088 FAX : 7555924		PROJECT: CADANGAN PEMBANGUNAN KOMPLEKS BARU INSTITUT KEJURUTERAAN TEKNOLOGI TENAGA NATIONAL (IKATAN) DI ATAS LOT PT 572,573,1164-1174 DAN DI SEBAHAGIAN LOT PT 559,566-570,1050,1051,1054 & 1413.MUKIM DENGKIL,BANGI,SELANGOR D.E. UNTUK TETUAN T.N.B.		MANUFACTURER: SUNCO SWITCHGEARS SDN. BHD. LOT NO. 14236, 6 1/2 MILES, JALAN PUCHONG, 58200 KUALA LUMPUR. TEL. NO.: 7920711 FAX. NO.: 7926867	
DRAWN: K S LOOI	DESIGNED:	DATE: 8/2/96	DATE OF ISSUED:	DRAWING TITLE: GENERAL ARRANGEMENT & SCHEMATIC DIAGRAM FOR MAIN DB NLGA	JOB NO.: ST 689/11/95		
CHECKED:	APPROVED:	SCALE: 1 TO 20	NO. OF SET: 46 OF 57	ACAD REF.: 9615-46		DRAWING NO.: SB_015/2/96-46	



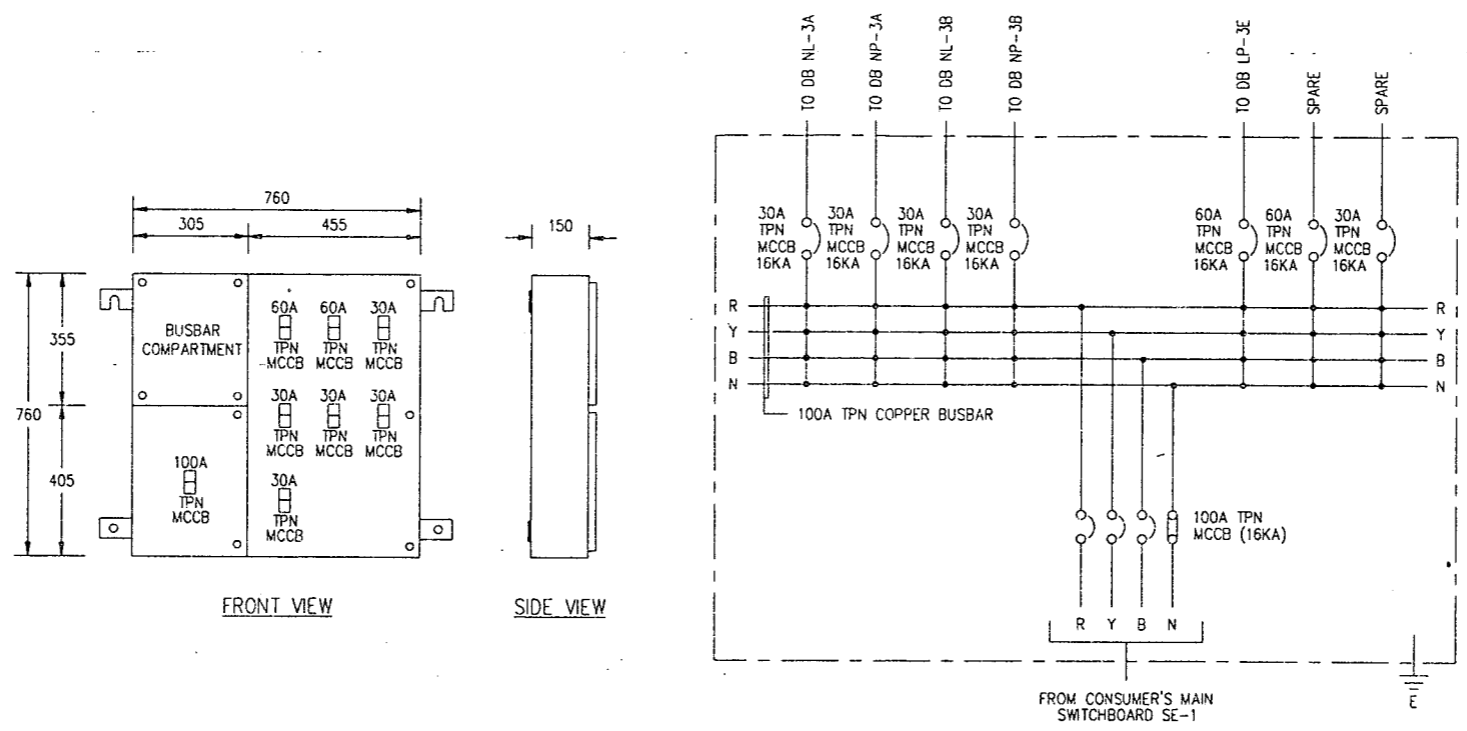
MAIN DB NGA
(WALL MOUNTING TYPE)

ELECTRICAL CONTRACTOR: SINAR LETRIK KEPONG SDN BHD NO.29,JALAN PJS 11/18, BANDAR SUNWAY, 46150 SELANGOR. TEL : 7318848 FAX : 7316108		CONSULTANT PERUNDING HASHIM & NEH SDN BHD. JURUTERA PERUNDING 62 & 63,JALAN SS2/72, 47300 PETALING JAYA,SELANGOR D.E. TEL : 7555088 FAX : 7555924		PROJECT: CADANGAN PEMBANGUNAN KOMPLEKS BARU INSTITUT KEJURUTERAAN TEKNOLOGI TENAGA NATIONAL (IKATAN) DI ATAS LOT PT 572,573,1164-1174 DAN DI SEBAHAGIAN LOT PT 559,566-570,1050,1051,1054 & 1413.MUKIM DENGKIL,BANGI,SELANGOR D.E. UNTUK TETUAN T.N.B.		MANUFACTURER: SUNCO SWITCHGEARS SDN. BHD. LOT NO: 14236, 6 1/2 MILES, JALAN PUCHONG, 58200 KUALA LUMPUR. TEL. NO.: 7920711 FAX. NO.: 7926867	
DRAWN: K S.LOOI	DESIGNED:	DATE: 8/2/96	DATE OF ISSUED:	DRAWING TITLE: GENERAL ARRANGEMENT & SCHEMATIC DIAGRAM FOR MAIN DB NGA		JOB NO.: ST 689/11/95	
CHECKED:	APPROVED:	SCALE: 1 TO 20	NO. OF SET: 47 OF 57			ACAD REF.: 9615-47	DRAWING NO.: SB 015/2/96-47



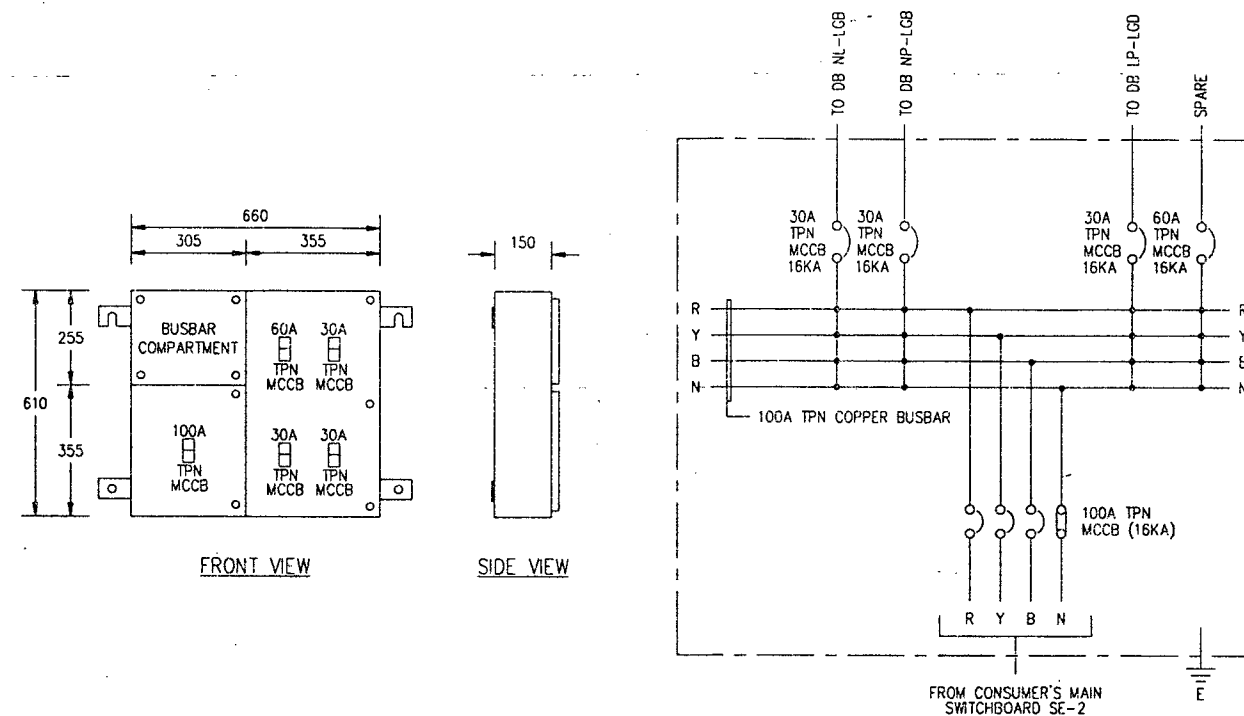
MAIN DB N1A
(WALL MOUNTING TYPE)

ELECTRICAL CONTRACTOR: SINAR LETRIK KEPONG SDN BHD NO.29,JALAN PJS 11/18, BANDAR SUNWAY, 46150 SELANGOR. TEL:- 7318848 - FAX : 7316108		CONSULTANT PERUNDING HASHIM & NEH SDN BHD. JURUTERA PERUNDING 62 & 63,JALAN SS2/72, 47300 PETALING JAYA,SELANGOR D.E. TEL : 7555088 FAX : 7555924		PROJECT: CADANGAN PEMBANGUNAN KOMPLEKS BARU INSTITUT KEJURUTERAAN TEKNOLOGI TENAGA NATIONAL (IKATAN) DI ATAS LOT PT 572,573,1164-1174 DAN DI SEBAHAGIAN LOT PT 559,566-570,1050,1051,1054 & 1413.MUKIM DENGKIL,BANGI,SELANGOR D.E. UNTUK TETUAN T.N.B.		MANUFACTURER: SUNCO SWITCHGEARS SDN. BHD. LOT NO. 14236, 6 1/2 MILES, JALAN PUCHONG, 58200 KUALA LUMPUR. TEL. NO.: 7920711 FAX. NO.: 7926867	
DRAWN: K. S. LOOI	DESIGNED:	DATE: 8/2/96	DATE OF ISSUED:	DRAWING TITLE: GENERAL ARRANGEMENT & SCHEMATIC DIAGRAM FOR MAIN DB N1A		JOB NO.: ST 689/11/95	
CHECKED:	APPROVED:	SCALE: 1 TO 20	NO. OF SET: 48 OF 57			ACAD REF.: 9615-48	DRAWING NO.: SB 015/2/96-48



MAIN DB N3A
(WALL MOUNTING TYPE)

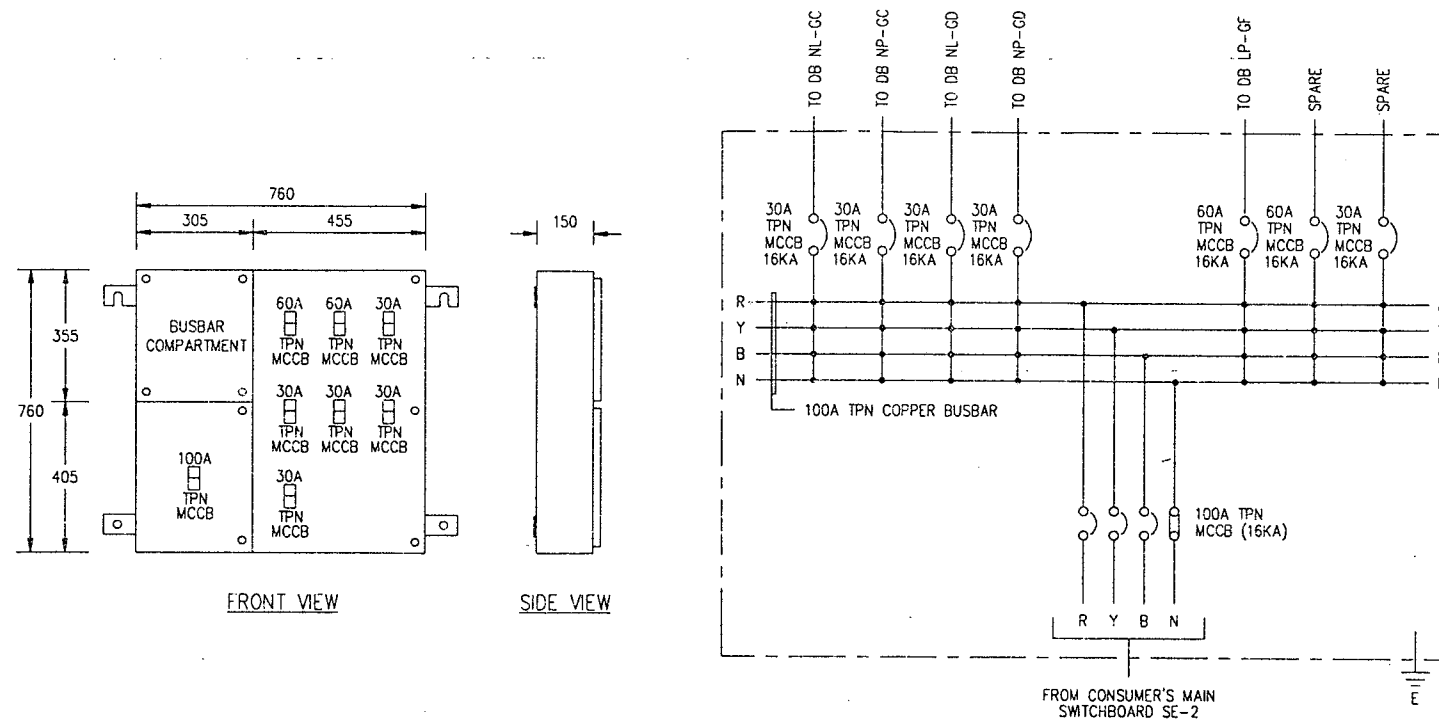
ELECTRICAL CONTRACTOR: SINAR LETRIK KEPONG SDN BHD NO.29,JALAN PJS 11/18, BANDAR SUNWAY, 46150 SELANGOR. TEL : 7318848 FAX : 7316108		CONSULTANT PERUNDING HASHIM & NEH SDN BHD. JURUTERA PERUNDING 62 & 63,JALAN SS2/72, 47300 PETALING JAYA,SELANGOR D.E. TEL : 7555088 FAX : 7555924		PROJECT: CADANGAN PEMBANGUNAN KOMPLEKS BARU INSTITUT KEJURUTERAAN TEKNOLOGI TENAGA NATIONAL (IKATAN) DI ATAS LOT PT 572,573,1164-1174 DAN DI SEBAHAGIAN LOT PT 559,566-570,1050,1051,1054 & 1413.MUKIM DENGKIL,BANGI,SELANGOR D.E. UNTUK TETUAN T.N.B.		MANUFACTURER: SUNCO SWITCHGEARS SDN. BHD. LOT NO. 14236, 6 1/2 MILES, JALAN PUCHONG, 58200 KUALA LUMPUR.. TEL. NO.: 7920711 FAX. NO.: 7926867	
DRAWN: K S LOOI	DESIGNED:	DATE: 8/2/96	DATE OF ISSUED:	DRAWING TITLE: GENERAL ARRANGEMENT & SCHEMATIC DIAGRAM FOR MAIN DB N3A		JOB NO.: ST 689/11/95	
CHECKED:	APPROVED:	SCALE: 1 TO 20	NO. OF SET: 50 OF 57			ACAD REF.: 9615-50	DRAWING NO.: SB 015/2/96-50



MAIN DB NLGB

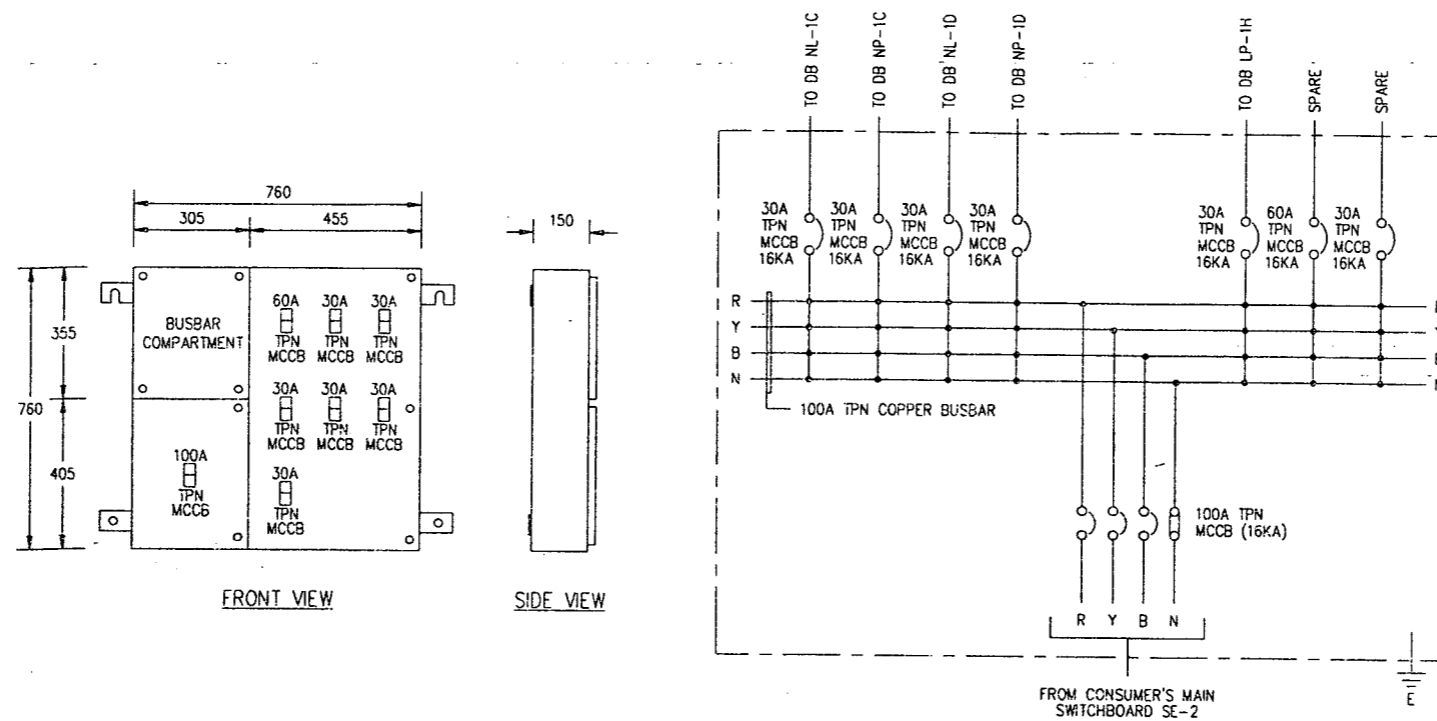
(WALL MOUNTING TYPE)

ELECTRICAL CONTRACTOR:- SINAR LETRIK KEPONG SDN BHD NO.29, JALAN PJS 11/18, BANDAR SUNWAY, 46150 SELANGOR. TEL : 7318848 FAX : 7316108		CONSULTANT PERUNDING HASHIM & NEH SDN BHD. JURUTERA PERUNDING 62 & 63, JALAN SS2/72, 47300 PETALING JAYA, SELANGOR D.E. TEL : 7555088 FAX : 7555924		PROJECT: CADANGAN PEMBANGUNAN KOMPLEKS BARU INSTITUT KEJURUTERAAN TEKNOLOGI TENAGA NATIONAL (IKATAN) DI ATAS LOT PT 572,573,1164-1174 DAN DI SEBAHAGIAN LOT PT 559,566-570,1050,1051,1054 & 1413.MUKIM DENGKIL, BANGI, SELANGOR D.E. UNTUK TETUAN. T.N.B.		MANUFACTURER: SUNCO SWITCHGEARS SDN. BHD. LOT NO. 14236, 6 1/2 MILES, JALAN PUCHONG, 58200 KUALA LUMPUR. TEL. NO.: 7920711 FAX. NO.: 7926867	
DRAWN: K S LOOI	DESIGNED:	DATE: 8/2/96	DATE OF ISSUED:	DRAWING TITLE: GENERAL ARRANGEMENT & SCHEMATIC DIAGRAM FOR MAIN DB NLGB		JOB NO.: ST 689/11/95	
CHECKED:	APPROVED:	SCALE: 1 TO 20	NO. OF SET: 51 OF 57	ACAD REF.: 9615-51	DRAWING NO.: SB 015/2/96-51		



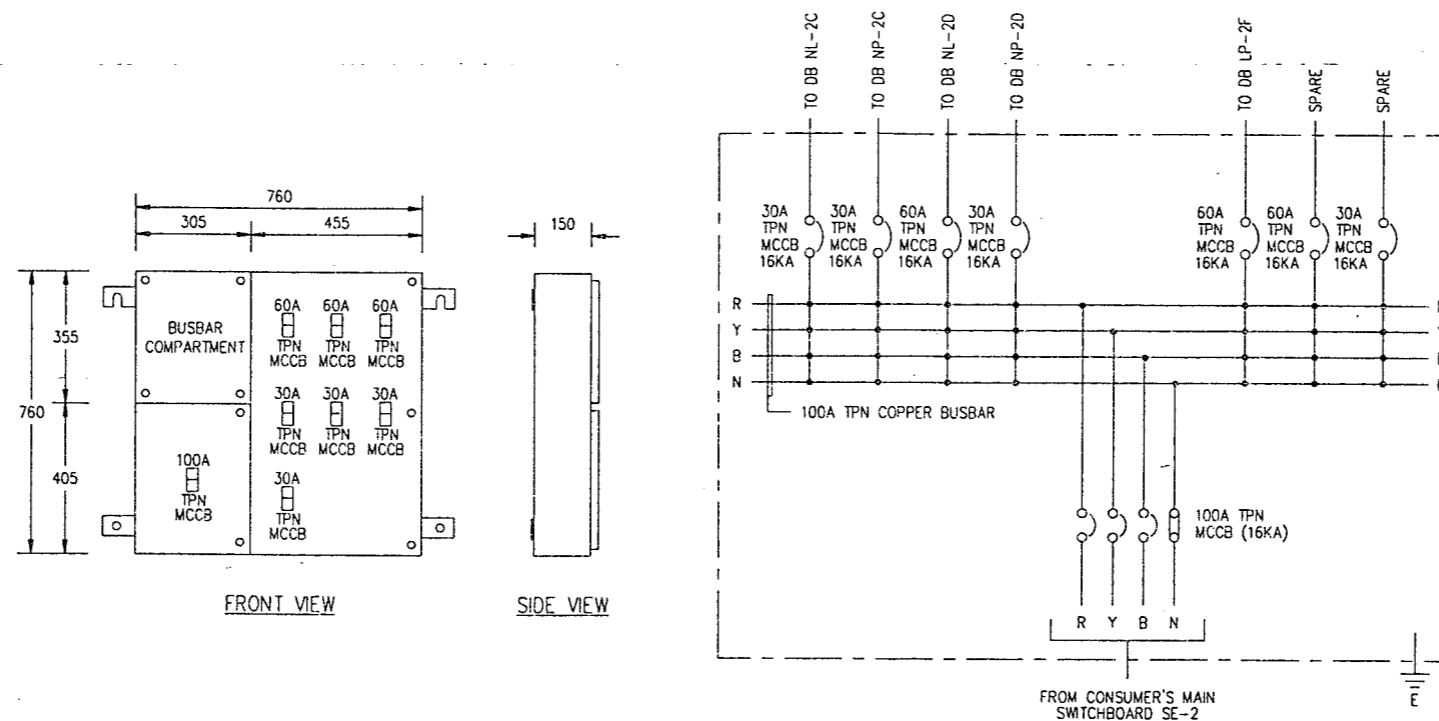
MAIN DB NGB
(WALL MOUNTING TYPE)

ELECTRICAL CONTRACTOR: SINAR LETRIK KEPONG SDN BHD NO.29,JALAN PJS 11/18, BANDAR SUNWAY, 46150 SELANGOR. TEL : 7318848 FAX : .7316108		CONSULTANT PERUNDING HASHIM & NEH SDN BHD. JURUTERA PERUNDING 62 & 63,JALAN SS2/72, 47300 PETALING JAYA,SELANGOR D.E. TEL : 7555088 FAX : 7555924		PROJECT: CADANGAN PEMBANGUNAN KOMPLEKS BARU INSTITUT KEJURUTERAAN TEKNOLOGI TENAGA NATIONAL (IKATAN) DI ATAS LOT PT 572,573,1164-1174 DAN DI SEBAHAGIAN LOT PT 559,566-570,1050,1051,1054 & 1413.MUKIM DENGKIL,BANGI,SELANGOR D.E. UNTUK TETUAN I.N.B.		MANUFACTURER: SUNCO SWITCHGEARS SDN. BHD. LOT NO. 14236, 6 1/2 MILES, JALAN PUCHONG, 58200 KUALA LUMPUR. TEL. NO.: 7920711 FAX.-NO.: 7926867	
DRAWN: K S LOOI	DESIGNED:	DATE: 8/2/96	DATE OF ISSUED:	DRAWING TITLE: GENERAL ARRANGEMENT & SCHEMATIC DIAGRAM FOR MAIN DB NGB		JOB NO.: ST 689/11/95	
CHECKED:	APPROVED:	SCALE: 1 TO 20	NO. OF SET: 52 OF 57			ACAD REF.: 9615-52	DRAWING NO.: SB 015/2/96-52



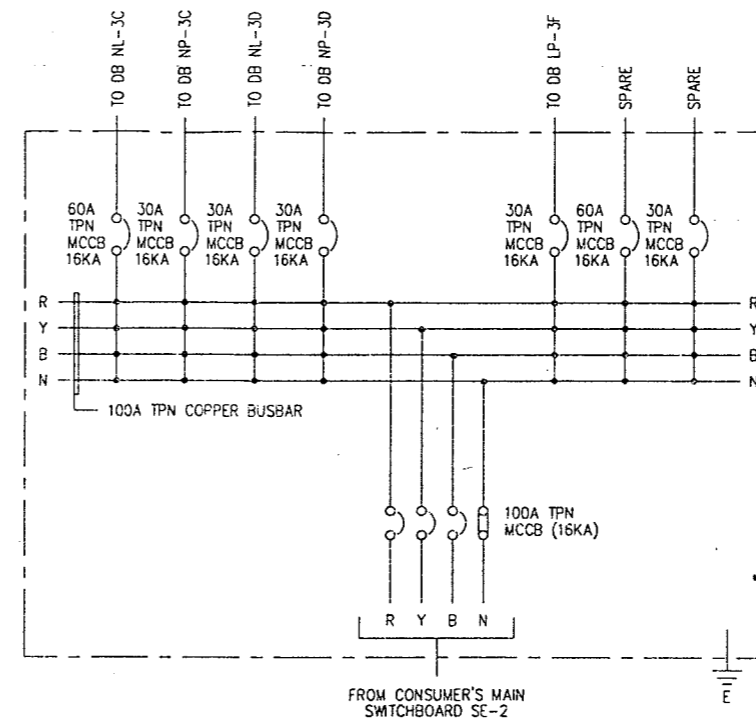
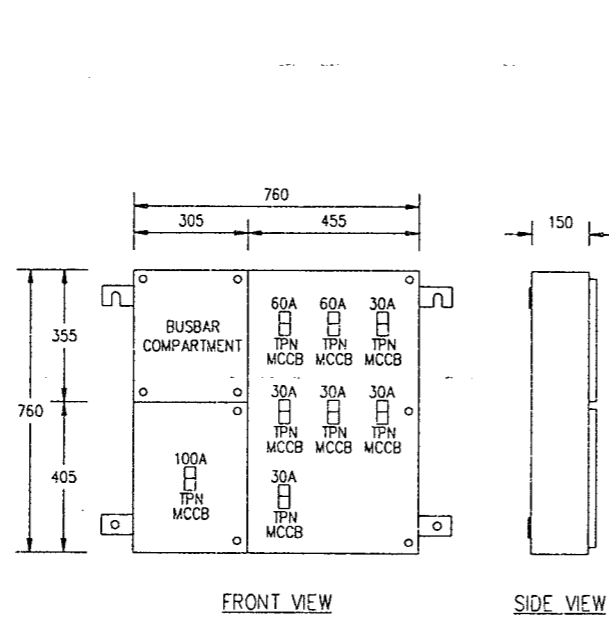
MAIN DB N1B
(WALL MOUNTING TYPE)

ELECTRICAL CONTRACTOR: SINAR LETRIK KEPONG SDN BHD NO.29,JALAN PJS 11/18, BANDAR SUNWAY, 46150 SELANGOR. TEL : 7318848 FAX : 7316108		CONSULTANT PERUNDING HASHIM & NEH SDN BHD. JURUTERA PERUNDING 62 & 63,JALAN SS2/72, 47300 PETALING JAYA,SELANGOR D.E. TEL : 7555088 FAX : 7555924		PROJECT: CADANGAN PEMBANGUNAN KOMPLEKS BARU INSTITUT KEJURUTERAAN TEKNOLOGI TENAGA NATIONAL (IKATAN) DI ATAS LOT PT 572,573,1164-1174 DAN DI SEBAHAGIAN LOT PT 559,566-570,1050,1051,1054 & 1413.MUKIM DENGKIL,BANGI,SELANGOR D.E. UNTUK TETUAN T.N.B.		MANUFACTURER: SUNCO SWITCHGEARS SDN. BHD. LOT NO. 14236, 6 1/2 MILES, JALAN PUCHONG, 58200 KUALA LUMPUR. TEL: NO:-7920711 FAX. NO.: 7926867	
DRAWN: K S LOOI	DESIGNED:	DATE: 8/2/96	DATE OF ISSUED:	DRAWING TITLE: GENERAL ARRANGEMENT & SCHEMATIC DIAGRAM FOR MAIN DB N1B		JOB NO.: ST 689/11/95	
CHECKED:	APPROVED:	SCALE: 1 TO 20	NO. OF SET: 53 OF 57	ACAD REF.: 9615-53		DRAWING NO.: SB 015/2/96-53	



MAIN DB N2B
(WALL MOUNTING TYPE)

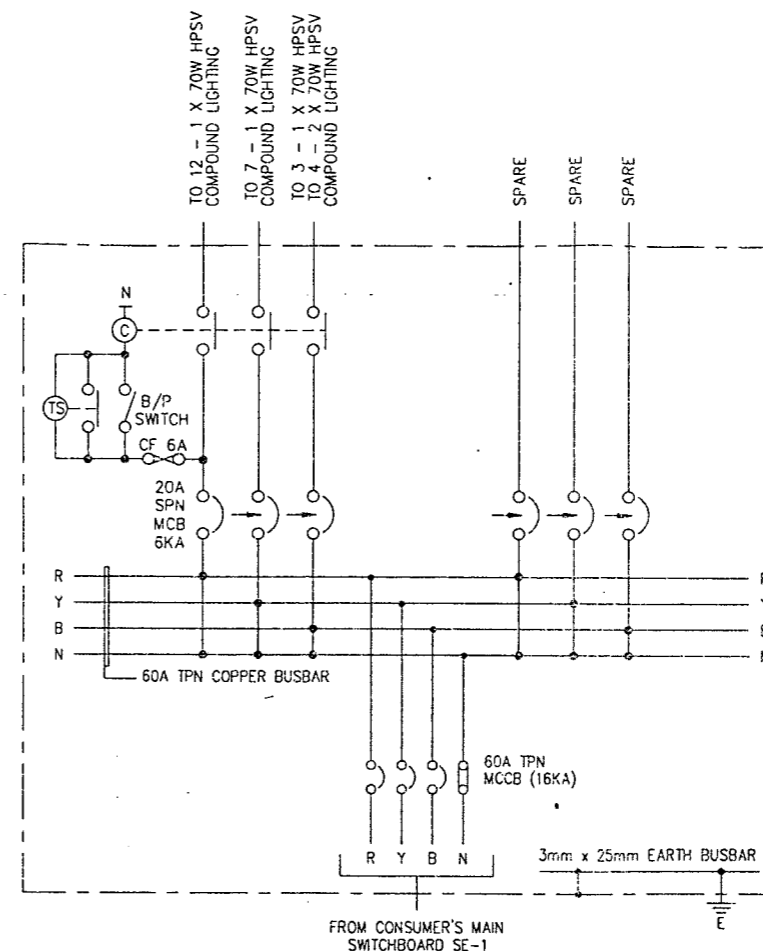
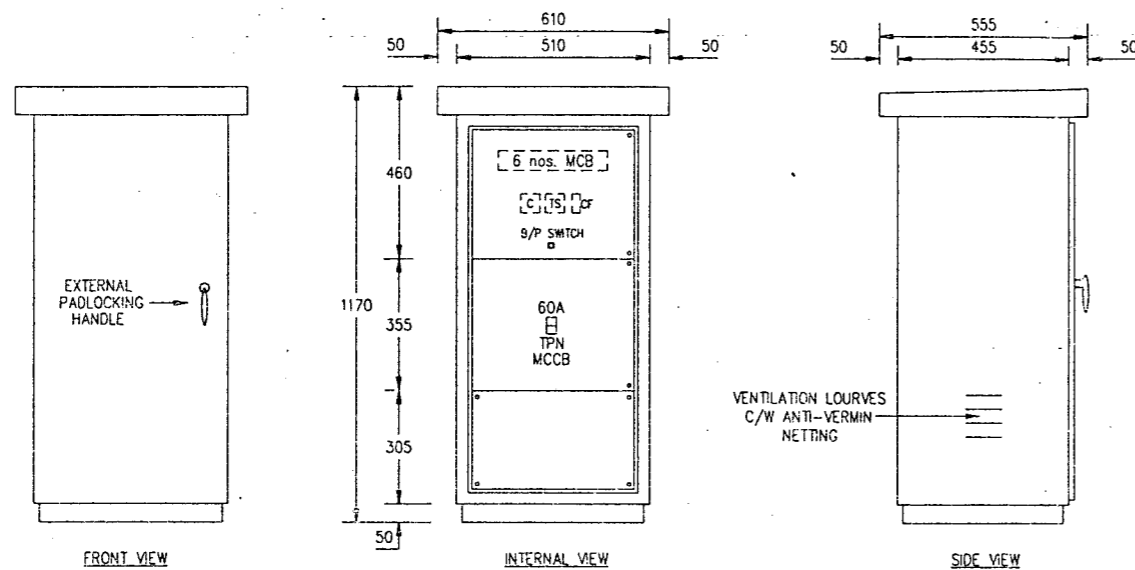
ELECTRICAL CONTRACTOR:- SINAR LETRIK KEPONG SDN BHD NO.29,JALAN PJS 11/18, BANDAR SUNWAY, 46150 SELANGOR. TEL : 7318848 FAX : 7316108		CONSULTANT PERUNDING HASHIM & NEH SDN BHD. JURUTERA PERUNDING 62 & 63,JALAN SS2/72, 47300 PETALING JAYA,SELANGOR D.E. TEL.: 7555088 FAX : 7555924		PROJECT: CADANGAN PEMBANGUNAN KOMPLEKS BARU INSTITUT KEJURUTERAAN TEKNOLOGI TENAGA NATIONAL (IKATAN) DI ATAS LOT PT 572,573,1164-1174 DAN DI SEBAHAGIAN LOT PT 559,566-570,1050,1051,1054 & 1413.MUKIM DENGKIL,BANGI,SELANGOR D.E. UNTUK TETUAN T.N.B.		MANUFACTURER: SUNCO SWITCHGEARS SDN. BHD. LOT NO. 14236, 6 1/2 MILES, JALAN PUCHONG, 58200 KUALA LUMPUR. TEL. NO.: 7920711 FAX. NO.: 7926867	
DRAWN: K S LOOI	DESIGNED:	DATE: 8/2/96	DATE OF ISSUED:	DRAWING TITLE: GENERAL ARRANGEMENT & SCHEMATIC DIAGRAM FOR MAIN DB N2B		JOB NO.: ST 689/11/95	
CHECKED:	APPROVED:	SCALE: 1 TO 20	NO. OF SET: 54 OF 57			ACAD REF.: 9615-54	DRAWING NO.: SB 015/2/96-54



MAIN DB N3B

(WALL MOUNTING TYPE)

ELECTRICAL CONTRACTOR:- SINAR LETRIK KEPONG SDN BHD NO.29,JALAN PJS 11/18, BANDAR SUNWAY, 46150 SELANGOR. TEL : 7318848 FAX : 7316108		CONSULTANT PERUNDING HASHIM & NEH SDN BHD. JURUTERA PERUNDING 62 & 63,JALAN SS2/72, 47300 PETALING JAYA,SELANGOR D.E. TEL : 7555088 FAX : 7555924		PROJECT: CADANGAN PEMBANGUNAN KOMPLEKS BARU INSTITUT KEJURUTERAAN TEKNOLOGI TENAGA NATIONAL (IKATAN) DI ATAS LOT PT 572,573,1164-1174 DAN DI SEBAHAGIAN LOT PT 559,566-570,1050,1051,1054 & 1413.MUKIM DENGKIL,BANGI,SELANGOR D.E. UNTUK TETUAN T.N.B.		MANUFACTURER: SUNCO SWITCHGEARS SDN. BHD. LOT NO. 14236, 6 1/2 MILES, JALAN PUCHONG, 58200 KUALA LUMPUR. TEL. NO.: 7920711 FAX. NO.: 7926867	
DRAWN: K S LOOI	DESIGNED:	DATE: 8/2/96	DATE OF ISSUED:	DRAWING TITLE: GENERAL ARRANGEMENT & SCHEMATIC DIAGRAM FOR MAIN DB N3B		JOB NO.: ST 689/11/95	
CHECKED:	APPROVED:	SCALE: 1 TO 20	NO. OF SET: 55 OF 57			ACAD REF.: 9615-55	DRAWING NO.: SB 015/2/96-55



FEEDER PILLAR 'SE1'

(FLOOR STANDING WETHERPROOF TYPE)

ELECTRICAL CONTRACTOR:-
SINAR LETRIK KEPONG SDN BHD
NO.29, JALAN PJS 11/18,
BANDAR SUNWAY,
46150 SELANGOR.
TEL : 7318848
FAX : 7316108

CONSULTANT
PERUNDING HASHIM & NEH SDN BHD.
JURUTERA PERUNDING
62 & 63, JALAN SS2/72,
47300 PETALING JAYA, SELANGOR D.E.
TEL : 7555088
FAX : 7555924

PROJECT:
CADANGAN PEMBANGUNAN KOMPLEKS BARU INSTITUT
KEJURUTERAAN TEKNOLOGI TENAGA NATIONAL (IKATAN)
DI ATAS LOT PT 572,573,1164-1174 DAN DI SEBAHAGIAN
LOT PT 559,566-570,1050,1051,1054 & 1413.MUKIM
DENGKIL, BANGI, SELANGOR D.E. UNTUK TETUAN T.N.B.

MANUFACTURER:
SUNCO SWITCHGEARS SDN. BHD.
LOT NO. 14236, 6 1/2 MILES,
JALAN PUCHONG,
58200 KUALA LUMPUR.
TEL. NO.: 7920711
FAX. NO.: 7926867

DRAWN: K S LOOI

DESIGNED:

DATE: 8/2/96

DATE OF ISSUED:

DRAWING TITLE:

GENERAL ARRANGEMENT & SCHEMATIC DIAGRAM FOR
FEEDER PILLAR 'SE1'

JOB NO.: ST 689/11/95

CHECKED:

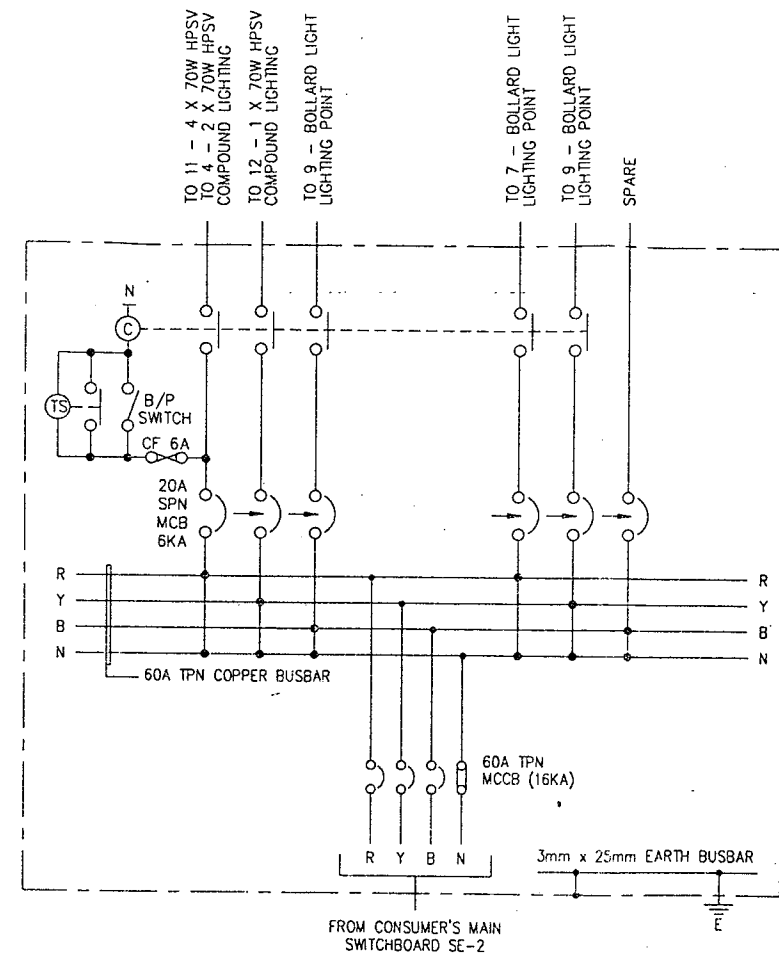
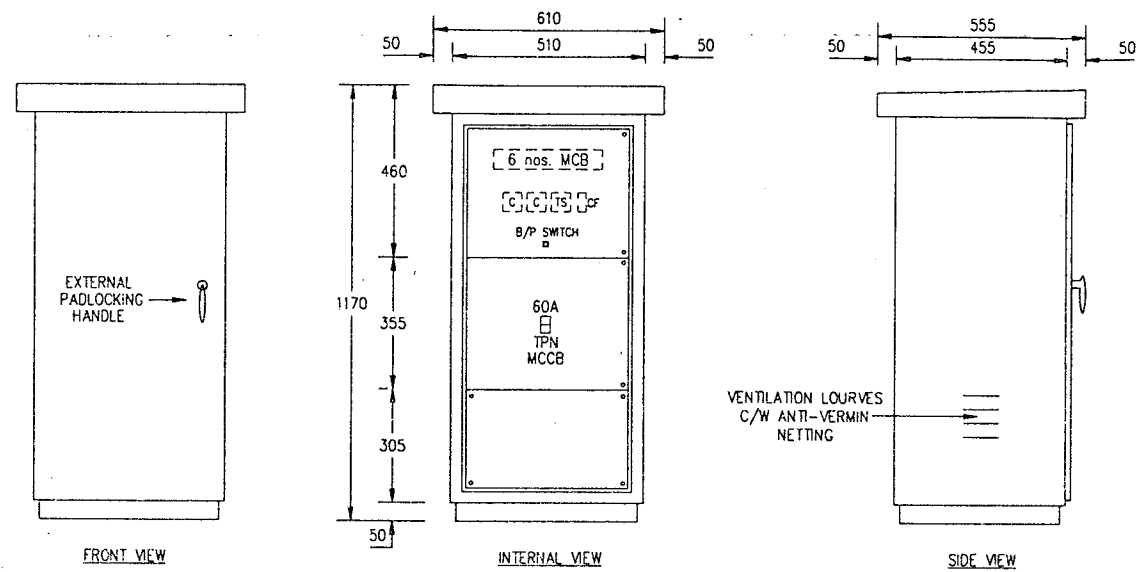
APPROVED:

SCALE: 1 TO 20

NO. OF SET: 56 OF 57

ACAD REF.: 9615-56

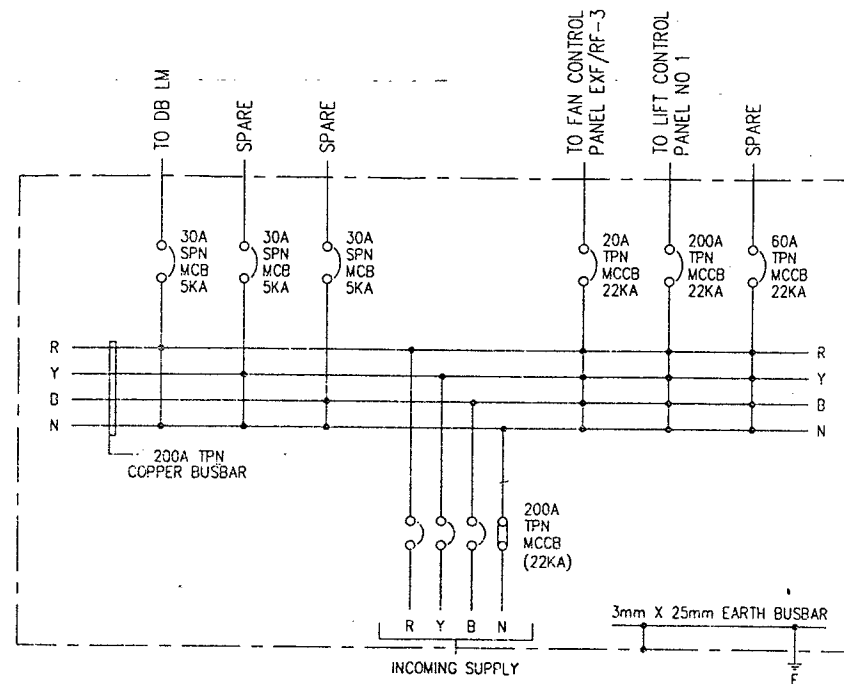
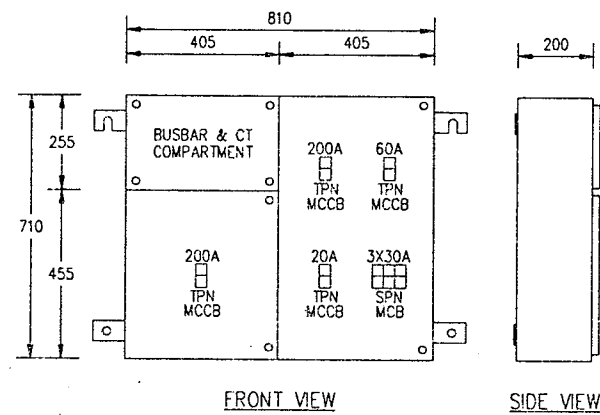
DRAWING NO.: SB 015/2/96-56



FEEDER PILLAR 'SE2'

(FLOOR STANDING WETHERPROOF TYPE)

ELECTRICAL CONTRACTOR: - SINAR LETRIK KEPONG SDN BHD NO.29, JALAN PJS 11/18, BANDAR SUNWAY, 46150 SELANGOR. TEL.: 7318848. FAX.: 7316108		CONSULTANT PERUNDING HASHIM & NEH SDN BHD. JURUTERA PERUNDING 62 & 63, JALAN SS2/72, 47300 PETALING JAYA, SELANGOR D.E. TEL.: 7555088 FAX.: 7555924		PROJECT: CADANGAN PEMBANGUNAN KOMPLEKS BARU INSTITUT KEJURUTERAAN TEKNOLOGI TENAGA NATIONAL (IKATAN) DI ATAS LOT PT 572,573,1164-1174 DAN DI SEBAHAGIAN LOT PT 559,566-570,1050,1051,1054 & 1413. MUKIM DENGKIL, BANGI, SELANGOR D.E. UNTUK TETUAN T.N.B.		MANUFACTURER: SUNCO SWITCHGEARS SDN. BHD. LOT NO. 14236, 6 1/2 MILES, JALAN PUCHONG, 58200 KUALA LUMPUR. TEL. NO.: 7920711 FAX. NO.: 7926867	
DRAWN: K S LOOI	DESIGNED:	DATE: 8/2/96	DATE OF ISSUED:	DRAWING TITLE: GENERAL ARRANGEMENT & SCHEMATIC DIAGRAM FOR FEEDER PILLAR 'SE2'		JOB NO.: ST 689/11/95	
CHECKED:	APPROVED:	SCALE: 1 TO 20	NO. OF SET: 57 OF 57			ACAD REF.: 9615-57	DRAWING NO.: SB 015/2/96-57



LIFT MAIN SWITCHBOARD

(WALL-MOUNTING TYPE)

REV. NO.	DATE	DESCRIPTION OF AMENDMENT
A	10/6/96	ADDITIONAL OF 1 NO. 200A TP MCCB
A	10/6/96	OMISSION OF 3 NOS. 60A TP MCCB
A	10/6/96	OMISSION OF ELR

MANUFACTURER:
SUNCO SWITCHGEARS SDN. BHD.
 LOT NO. 14236, 6 1/2 MILES,
 JALAN PUCHONG,
 58200 KUALA LUMPUR.
 TEL. NO.: 7920711
 FAX. NO.: 7926867

JOB NO.: ST 689/11/95	REVISION	A				
ACAD REF.: 9615-59	DRAWING NO.: SB 015/2/96-59					

ELECTRICAL CONTRACTOR:-
SINAR LETRIK KEPONG SDN BHD
 NO.29,JALAN PJS 11/18,
 BANDAR SUNWAY,
 46150 SELANGOR.
 TEL : 7318848
 FAX : 7316108

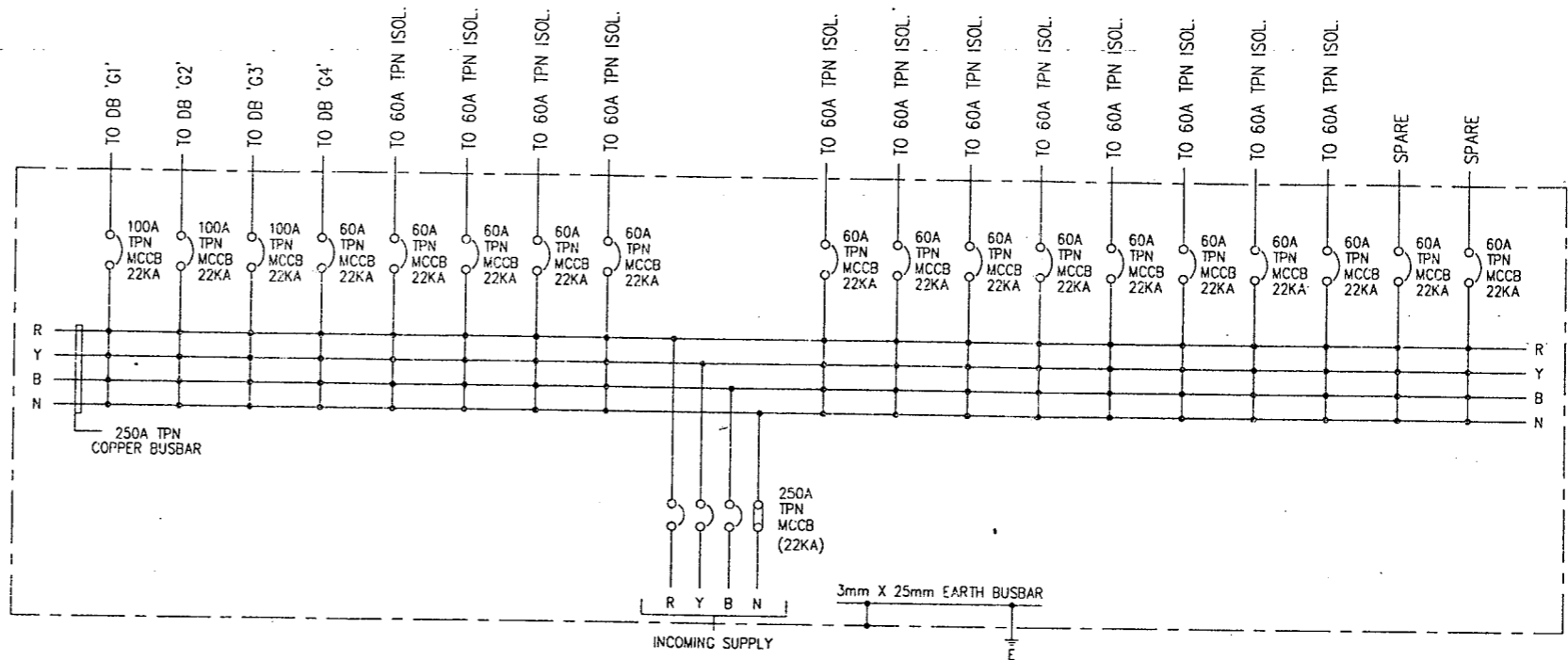
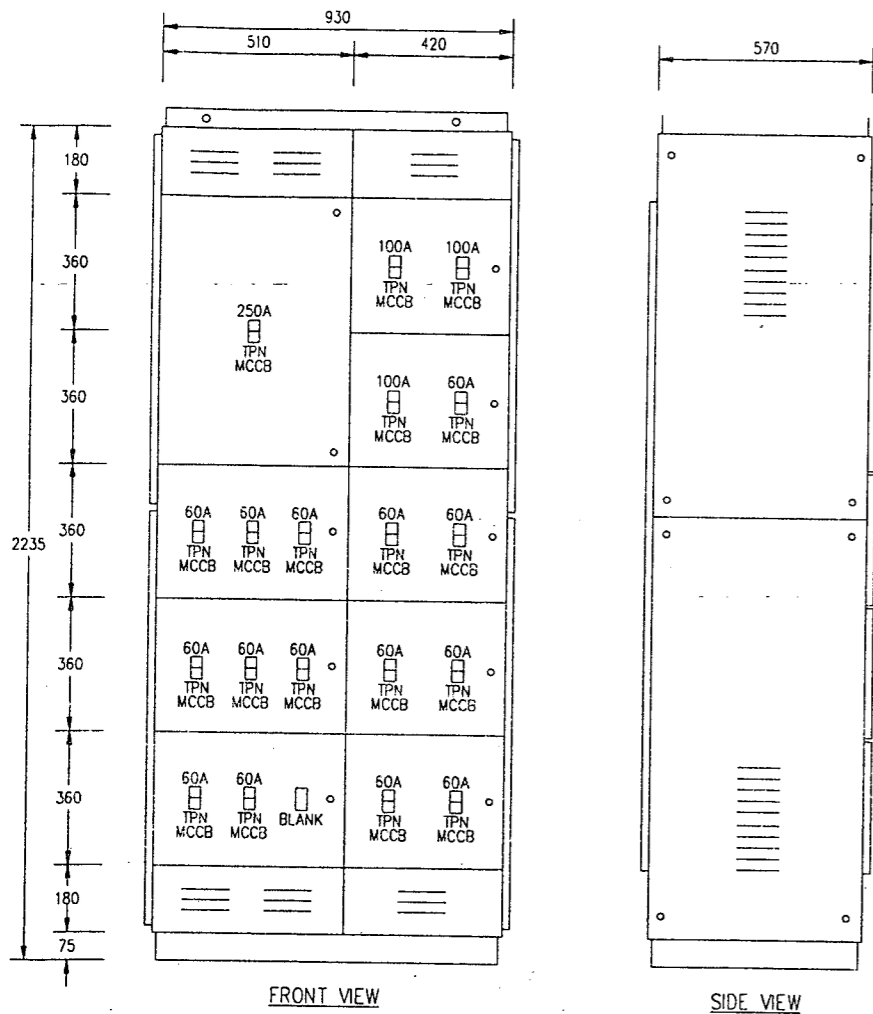
CONSULTANT
PERUNDING HASHIM & NEH SDN BHD.
 JURUTERA PERUNDING
 62 & 63,JALAN SS2/72,
 47300 PETALING JAYA,SELANGOR D.E.
 TEL : 7555088
 FAX : 7555924

PROJECT:
 CADANGAN PEMBANGUNAN KOMPLEKS BARU INSTITUT
 KEJURUTERAAN TEKNOLOGI TENAGA NATIONAL (IKATAN)
 DI ATAS LOT PT 572,573,1164-1174 DAN DI SEBAHAGIAN
 LOT PT 559,566-570,1050,1051,1054 & 1413,MUKIM
 DENGKIL,BANGI,SELANGOR D.E. UNTUK TETUAN T.N.B.

DRAWN: K S LOOI
 DESIGNED:

DATE: 8/2/96
 DATE OF ISSUED:
 SCALE: 1 TO 20
 NO. OF SET:

DRAWING TITLE:
 GENERAL ARRANGEMENT & SCHEMATIC DIAGRAM FOR
 LIFT MAIN SWITCHBOARD



SUB SWITCHBOARD 'F1'

(FLOOR STANDING TYPE)

REV. NO.	DATE	DESCRIPTION OF AMENDMENT
A	10/6/96	ADDITIONAL OF 2 NOS. 60A TP MCCB
A	10/6/96	OMISSION OF ELR

MANUFACTURER:
SUNCO SWITCHGEARS SDN. BHD.
 LOT NO. 14236, 6 1/2 MILES,
 JALAN PUCHONG,
 58200 KUALA LUMPUR.
 TEL. NO.: 7920711
 FAX. NO.: 7926867

JOB NO.: ST 689/11/95	REVISION	A				
ACAD REF.: 9615-60	DRAWING NO.: SB 015/2/96-60					

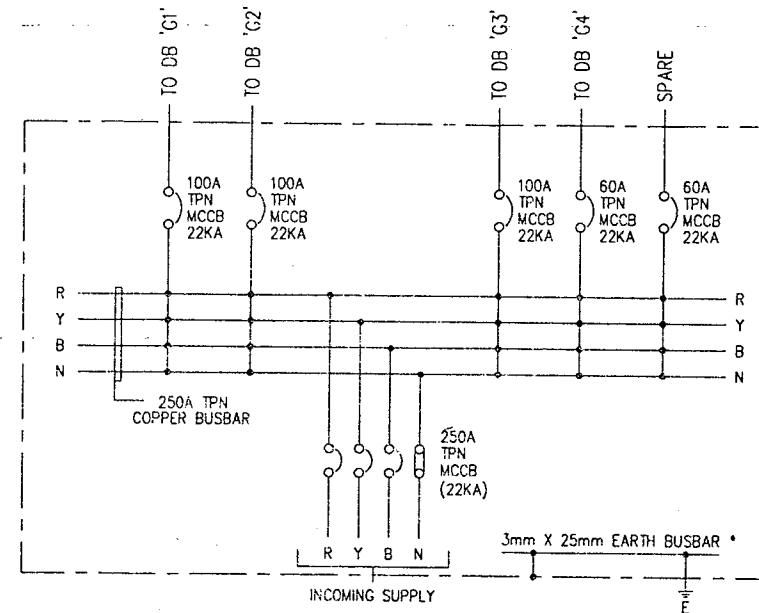
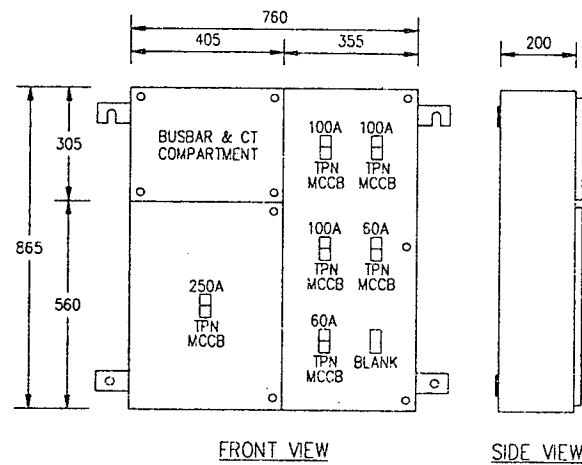
ELECTRICAL CONTRACTOR:
SINAR LETRIK KEPONG SDN BHD
 NO.29,JALAN PJS 11/18,
 BANDAR SUNWAY,
 46150 SELANGOR.
 TEL : 7318848
 FAX : 7316108

CONSULTANT
PERUNDING HASHIM & NEH SDN BHD.
 JURUTERA PERUNDING
 62 & 63,JALAN SS2/72,
 47300 PETALING JAYA,SELANGOR D.E.
 TEL : 7555088
 FAX :-7555924

PROJECT:
 CADANGAN PEMBANGUNAN KOMPLEKS BARU INSTITUT
 KEJURUTERAAN TEKNOLOGI TENAGA NATIONAL (IKATAN)
 DI ATAS LOT PT 572,573,1164-1174 DAN DI SEBAHAGIAN
 LOT PT 559,566-570,1050,1051,1054 & 1413.MUKIM
 DENGKIL,BANGI,SELANGOR D.E. UNTUK TETUAN T.N.B.

DRAWN: K S LOOI	DESIGNED:	DATE: 8/2/96	DATE OF ISSUED:
CHECKED:	APPROVED:	SCALE: 1 TO 20	NO. OF SET:

DRAWING TITLE:
 GENERAL ARRANGEMENT & SCHEMATIC DIAGRAM FOR
 SUB SWITCHBOARD 'F1'



SUB SWITCHBOARD 'G1'

(WALL-MOUNTING TYPE)

REV. NO.	DATE	DESCRIPTION OF AMENDMENT
A	10/6/96	OMISSION OF ELR

MANUFACTURER:
SUNCO SWITCHGEARS SDN. BHD.
LOT NO. 14236, 6 1/2 MILES,
JALAN PUCHONG,
58200 KUALA LUMPUR.
TEL. NO.: 7920711
FAX. NO.: 7926867

JOB NO.: ST 689/11/95	REVISION	A				
ACAD REF.: 9615-61	DRAWING NO.: SB 015/2/96-61					

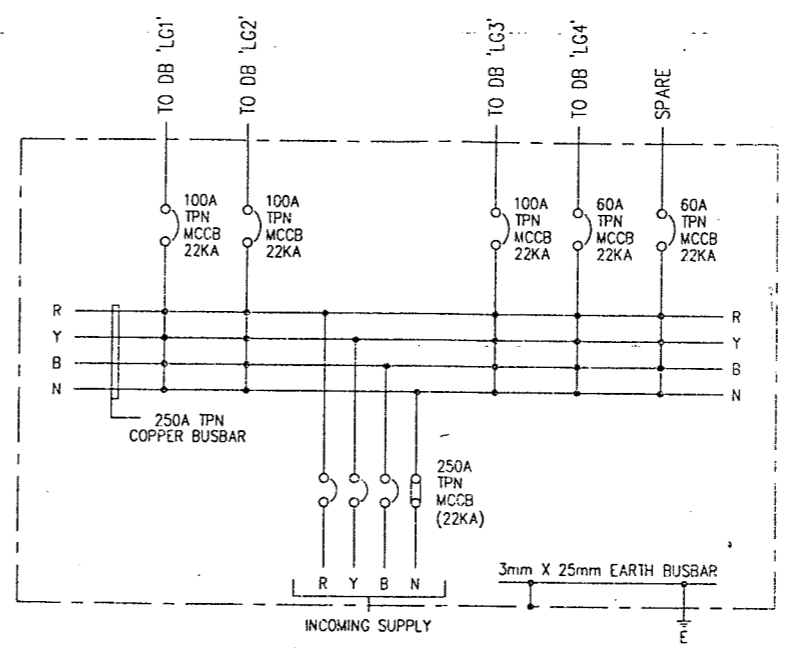
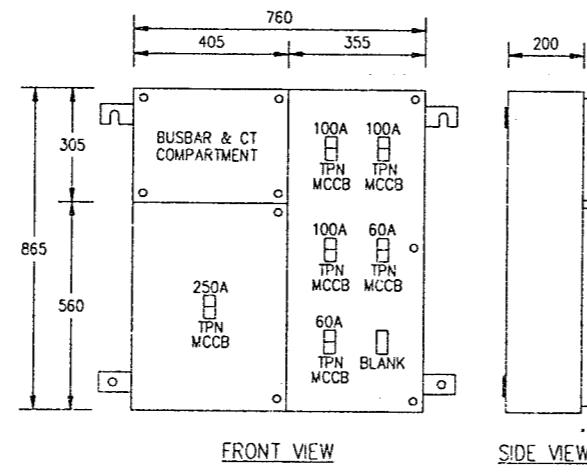
ELECTRICAL CONTRACTOR:
SINAR LETRIK KEPONG SDN BHD
NO.29, JALAN PJS 11/18,
BANDAR SUNWAY,
46150 SELANGOR.
TEL : 7318848
FAX : 7316108

CONSULTANT
PERUNDING HASHIM & NEH SDN BHD.
JURUTERA PERUNDING
62 & 63, JALAN SS2/72,
47300 PETALING JAYA, SELANGOR D.E.
TEL : 7555088
FAX : 7555924

PROJECT:
CADANGAN PEMBANGUNAN KOMPLEKS BARU INSTITUT
KEJURUTERAAN TEKNOLOGI TENAGA NATIONAL (IKATAN)
DI ATAS LOT PT 572,573,1164-1174 DAN DI SEBAHAGIAN
LOT PT 559,566-570,1050,1051,1054 & 1413.MUKIM
DENGKIL,BANGI,SELANGOR D.E. UNTUK TETUAN T.N.B.

DRAWN: K S LOOI	DESIGNED:	DATE: 8/2/96	DATE OF ISSUED:
CHECKED:	APPROVED:	SCALE: 1 TO 20	NO. OF SET:

DRAWING TITLE:
GENERAL ARRANGEMENT & SCHEMATIC DIAGRAM FOR
SUB SWITCHBOARD 'G1'



SUB SWITCHBOARD 'NAL'

(WALL-MOUNTING TYPE)

ELECTRICAL CONTRACTOR:
SINAR LETRIK KEPONG SDN BHD
 NO.29, JALAN PJS 11/18,
 BANDAR SUNWAY,
 46150 SELANGOR.
 TEL : 7318848
 FAX : -7316108

CONSULTANT
PERUNDING HASHIM & NEH SDN BHD.
 JURUTERA PERUNDING
 62 & 63, JALAN SS2/72,
 47300 PETALING JAYA, SELANGOR D.E.
 TEL : 7555088
 FAX : 7555924

PROJECT:
 CADANGAN PEMBANGUNAN KOMPLEKS BARU INSTITUT
 KEJURUTERAAN TEKNOLOGI TENAGA NATIONAL (IKATAN)
 DI ATAS LOT PT 572,573,1164-1174 DAN DI SEBAHAGIAN
 LOT PT 559,566-570,1050,1051,1054 & 1413.MUKIM
 DENGKIL, BANGI, SELANGOR D.E. UNTUK TETUAN T.N.B.

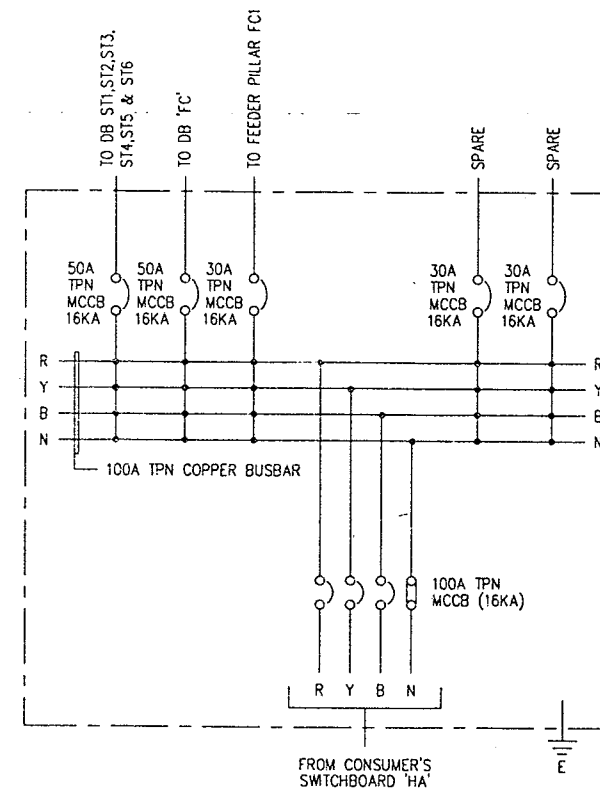
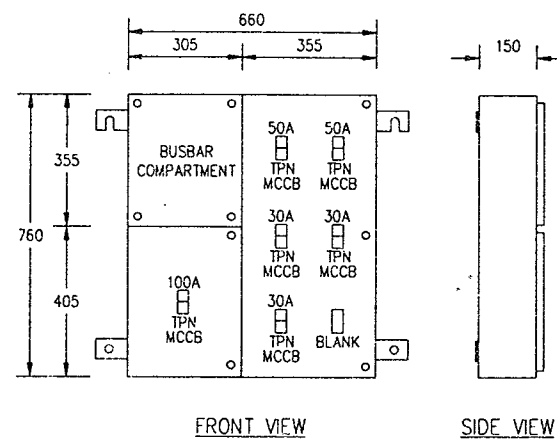
REV. NO.	DATE	DESCRIPTION OF AMENDMENT
A	10/6/96	OMISSION OF ELR

MANUFACTURER:
SUNCO SWITCHGEARS SDN. BHD.
 LOT NO. 14236, 6 1/2 MILES,
 JALAN PUCHONG,
 58200 KUALA LUMPUR.
 TEL. NO.: 7920711
 FAX. NO.: 7926867

JOB NO.:	ST 689/11/95	REVISION	A				
ACAD REF.:	9615-62	DRAWING NO.: SB 015/2/96-62					

DRAWN: K S LOOI	DESIGNED:	DATE: 8/2/96	DATE OF ISSUED:
CHECKED:	APPROVED:	SCALE: 1 TO 20	NO. OF SET:

DRAWING TITLE:
 GENERAL ARRANGEMENT & SCHEMATIC DIAGRAM FOR
 SUB SWITCHBOARD 'NAL'



SUB-SWITCHBOARD FC

(WALL MOUNTING TYPE)

ELECTRICAL CONTRACTOR:
SINAR LETRIK KEPONG SDN BHD
 NO.29, JALAN PJS 11/18,
 BANDAR SUNWAY,
 46150 SELANGOR.
 TEL : 7318848
 FAX : 7316108

CONSULTANT
PERUNDING HASHIM & NEH SDN BHD.
 JURUTERA PERUNDING
 62 & 63, JALAN SS2/72,
 47300 PETALING JAYA, SELANGOR D.E.
 TEL : 7555088
 FAX : 7555924

PROJECT:
 CADANGAN PEMBANGUNAN KOMPLEKS BARU INSTITUT
 KEJURUTERAAN TEKNOLOGI TENAGA NATIONAL (IKATAN)
 DI ATAS LOT PT 572,573,1164-1174 DAN DI SEBAHAGIAN
 LOT PT 559,566-570,1050,1051,1054 & 1413.MUKIM
 DENGKIL, BANGI, SELANGOR D.E. UNTUK TETUAN T.N.B.

MANUFACTURER:
SUNCO SWITCHGEARS SDN. BHD.
 LOT NO. 14236, 6 1/2 MILES,
 JALAN PUCHONG,
 58200 KUALA LUMPUR.
 TEL. NO.: 7920711
 FAX. NO.: 7926867

DRAWN: K S LOOI

DESIGNED:

DATE: 14/5/96

DATE OF ISSUED:

DRAWING TITLE:

GENERAL ARRANGEMENT & SCHEMATIC DIAGRAM FOR
 SUB-SWITCHBOARD FC

JOB NO.: ST 689/11/95

REVISION A

CHECKED:

APPROVED:

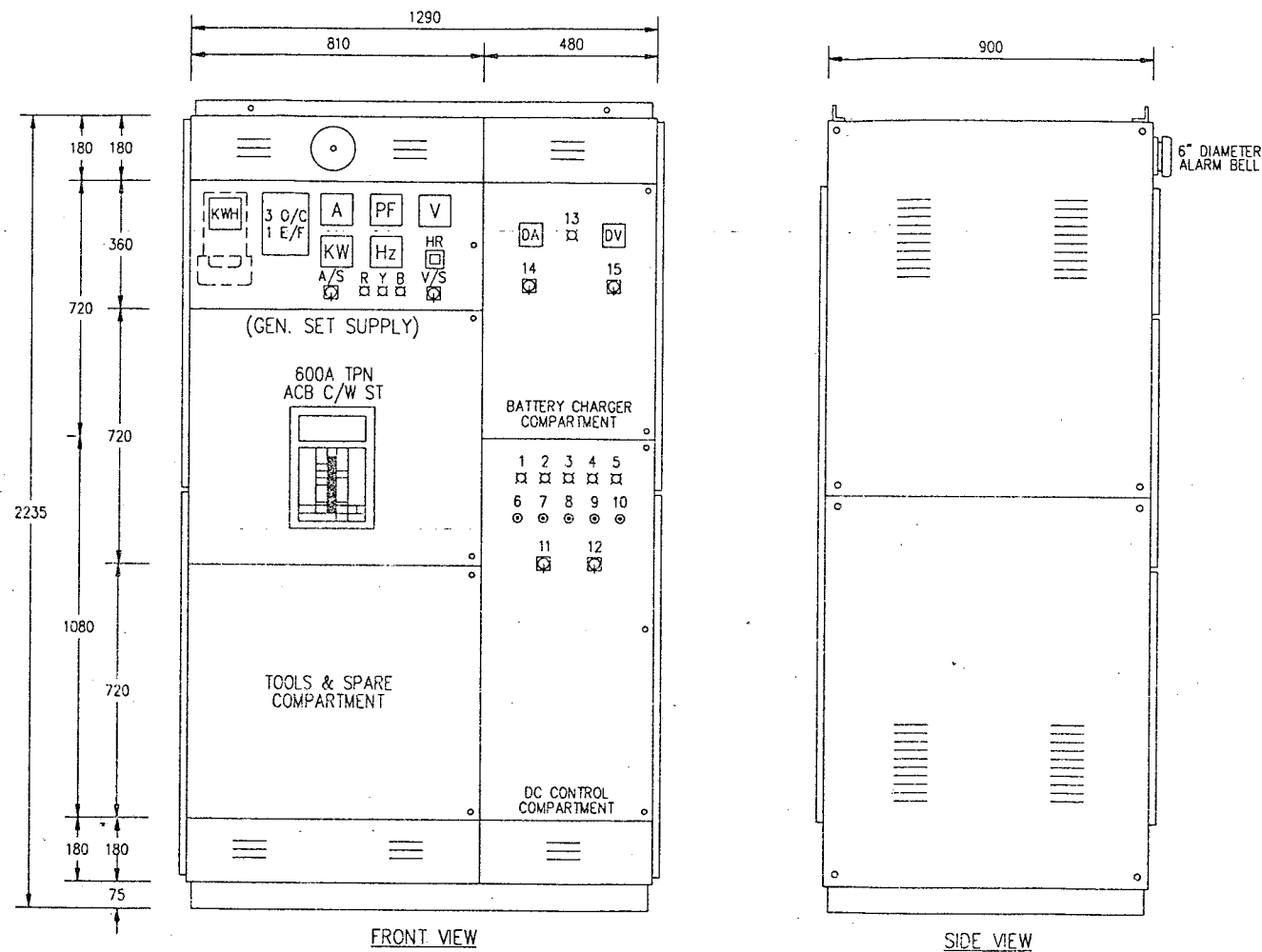
SCALE: 1 TO 20

NO. OF SET:

ACAD REF.: 9615-63

DRAWING NO.: SB 015/2/96-63

REV. NO.	DATE	DESCRIPTION OF AMENDMENT
A	10/6/96	UPGRADING OF 60A INCOMER TO 100A

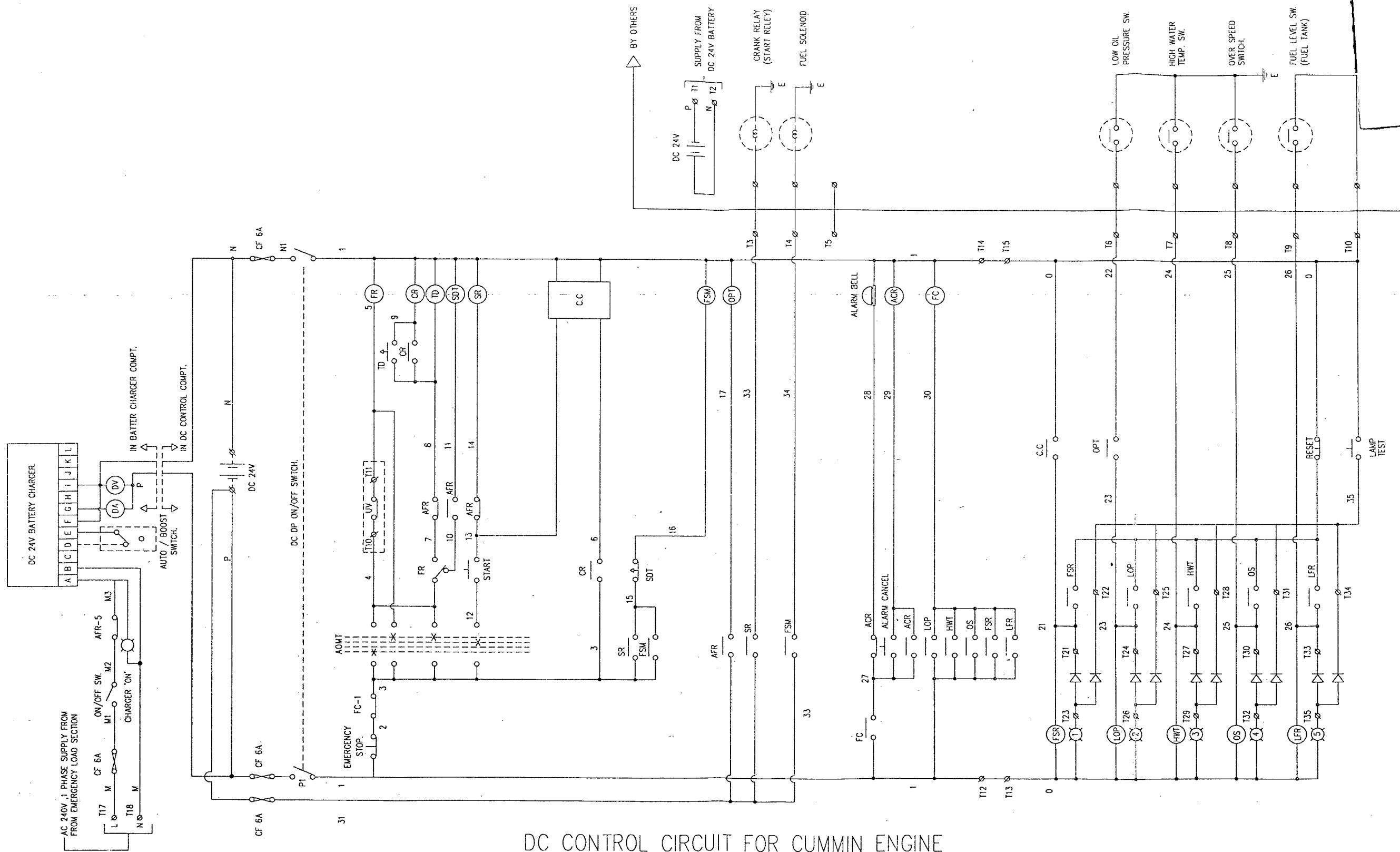


- LEGEND :-
- 1) FAIL TO START I/L
 - 2) LOW OIL PRESSURE I/L
 - 3) HIGH WATER TEMPERATURE I/L
 - 4) OVER SPEED I/L
 - 5) LOW FUEL LEVEL I/L
 - 6) START PUSH BUTTON
 - 7) RESET PUSH BUTTON
 - 8) ALARM CANCEL PUSH BUTTON
 - 9) LAMP TEST PUSH BUTTON
 - 10) EMERGENCY STOP PUSH BUTTON
 - 11) DC DP ON/OFF SWITCH
 - 12) AUTO/OFF/MANUAL/TEST SELECTOR SWITCH
 - 13) BATTERY CHARGER ON I/L
 - 14) BATTERY CHARGER ON/OFF SWITCH
 - 15) AUTO/BOOST SELECTOR SWITCH

350 KVA GEN. SET CONTROL PANEL

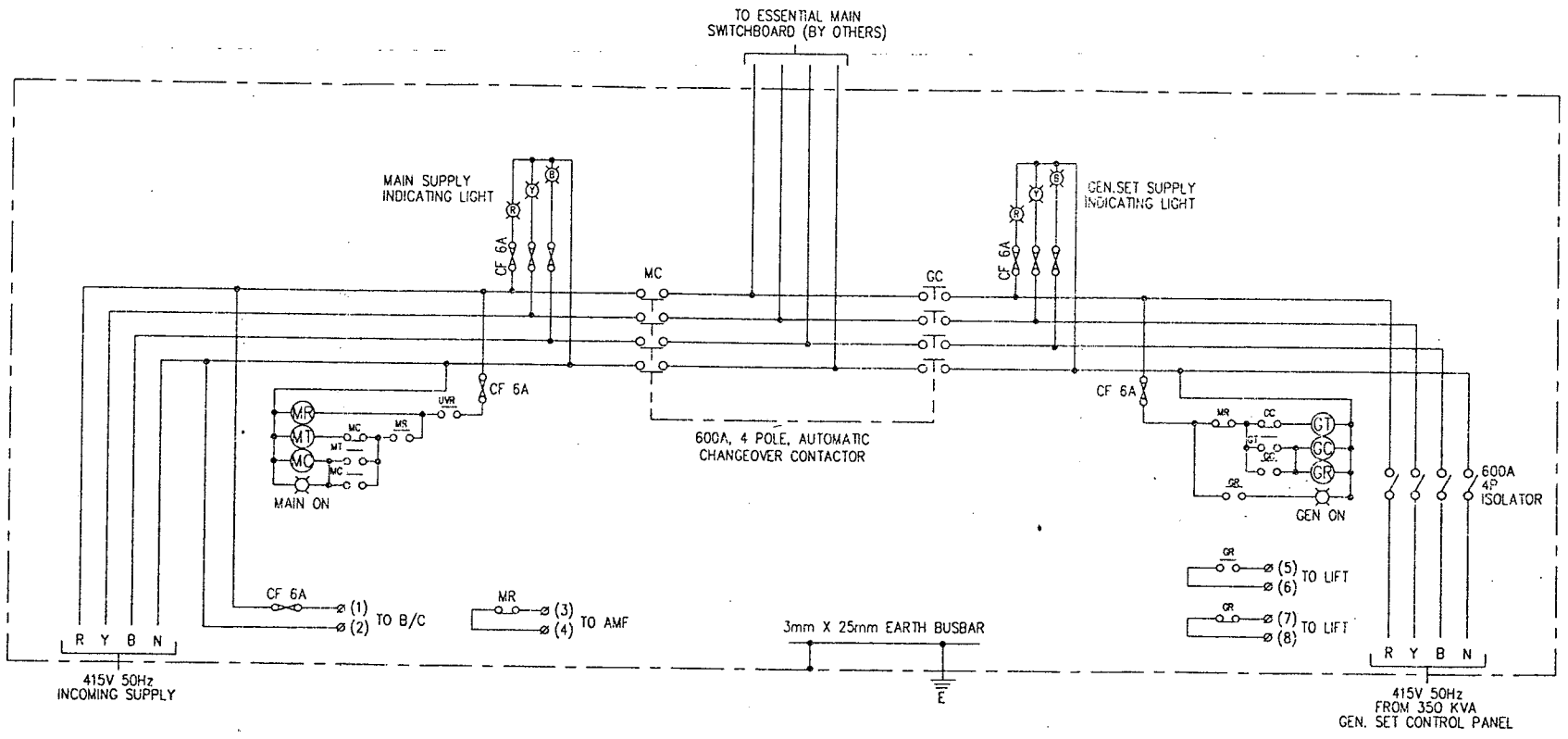
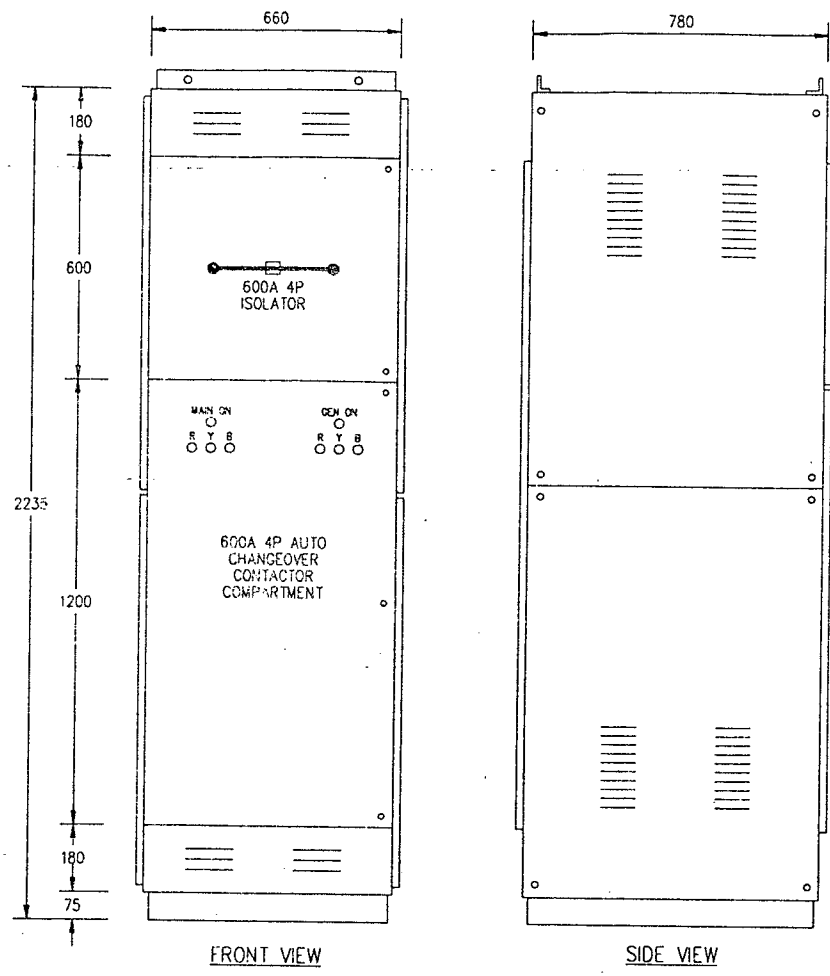
(FLOOR STANDING MODULAR TYPE)

ELECTRICAL CONTRACTOR: SINAR LETRIK KEPONG SDN BHD NO.29,JALAN PJS 11/18, BANDAR SUNWAY, 46150 SELANGOR. TEL : 7318848 FAX : 7316108		CONSULTANT PERUNDING HASHIM & NEH SDN BHD. JURUTERA PERUNDING 62 & 63,JALAN SS2/72, 47300 PETALING JAYA,SELANGOR D.E. TEL : 7555088 FAX : 7555924		PROJECT: CADANGAN PEMBANGUNAN KOMPLEKS BARU INSTITUT KEJURUTERAAN TEKNOLOGI TENAGA NATIONAL (IKATAN) DI ATAS LOT PT 572,573,1164-1174 DAN DI SEBAHAGIAN LOT PT 559,566-570,1050,1051,1054 & 1413.MUKIM DENGKIL,BANGI,SELANGOR D.E. UNTUK TETUAN T.N.B.		MANUFACTURER: SUNCO SWITCHGEARS SDN. BHD. LOT NO. 14236, 6 1/2 MILES, JALAN PUCHONG, 58200 KUALA LUMPUR. TEL. NO.: 7920711 FAX. NO.: 7926867	
DRAWN: K S LOOI	DESIGNED:	DATE: 8/2/96	DATE OF ISSUED:	DRAWING TITLE: GENERAL ARRANGEMENT FOR 350 KVA GEN. SET CONTROL PANEL (NEW PLANT ROOM BUILDING)		JOB NO.: ST 689/11/95	
CHECKED:	APPROVED:	SCALE: 1 TO 20	NO. OF SET:			ACAD REF.: 9615-64	DRAWING NO.: SB 015/2/96-64



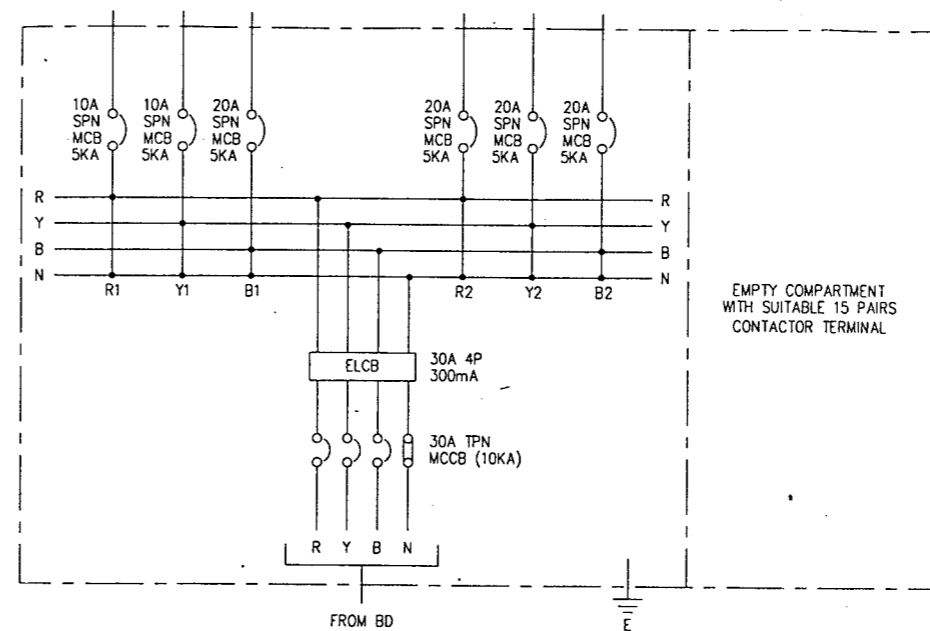
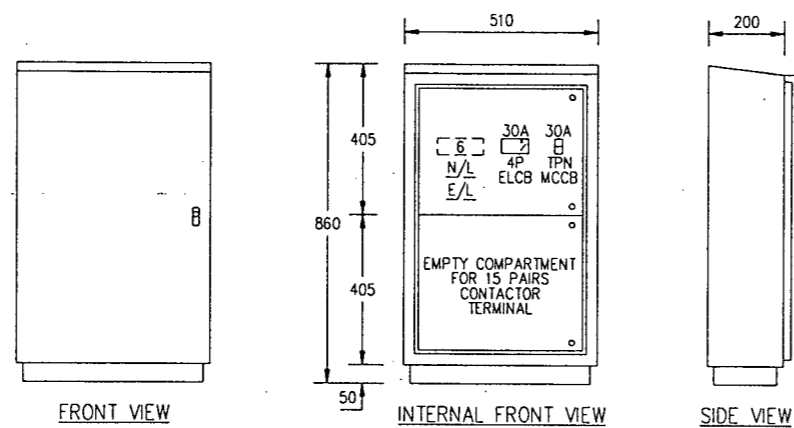
DC CONTROL CIRCUIT FOR CUMMIN ENGINE

ELECTRICAL CONTRACTOR:- SINAR LETRIK KEPONG SDN BHD NO.29,JALAN PJS 11/18, BANDAR SUNWAY, 46150 SELANGOR. TEL : 7318848 FAX : 7316108		CONSULTANT PERUNDING HASHIM & NEH SDN BHD. JURUTERA PERUNDING 62 & 63,JALAN SS2/72, 47300 PETALING JAYA,SELANGOR D.E. TEL : 7555088 FAX : 7555924		PROJECT: CADANGAN PEMBANGUNAN KOMPLEKS BARU INSTITUT KEJURUTERAAN TEKNOLOGI TENAGA NATIONAL (IKATAN) DI ATAS LOT PT 572,573,1164-1174 DAN DI SEBAHAGIAN LOT PT 559,566-570,1050,1051,1054 & 1413.MUKIM DENGKIL,BANGI,SELANGOR D.E. UNTUK TETUAN T.N.B.		MANUFACTURER: SUNCO SWITCHGEARS SDN. BHD. LOT NO. 14236, 6 1/2 MILES, JALAN PUCHONG, 58200 KUALA LUMPUR. TEL. NO.: 7920711 FAX. NO.: 7926867	
DRAWN: K S LOOI -	DESIGNED:	DATE: 8/2/96	DATE OF ISSUED:	DRAWING TITLE: DC CONTROL CIRCUIT FOR 350 KVA GEN. SET CONTROL PANEL (FOR CUMMIN ENGINE)	JOB NO.: ST 689/11/95		
CHECKED:	APPROVED:	SCALE: N.T.S	NO. OF SET:	ACAD REF.: 9615-66	DRAWING NO.: SB 015/2/96-66		



CHANGEOVER PANEL
(FLOOR STANDING MODULAR TYPE)

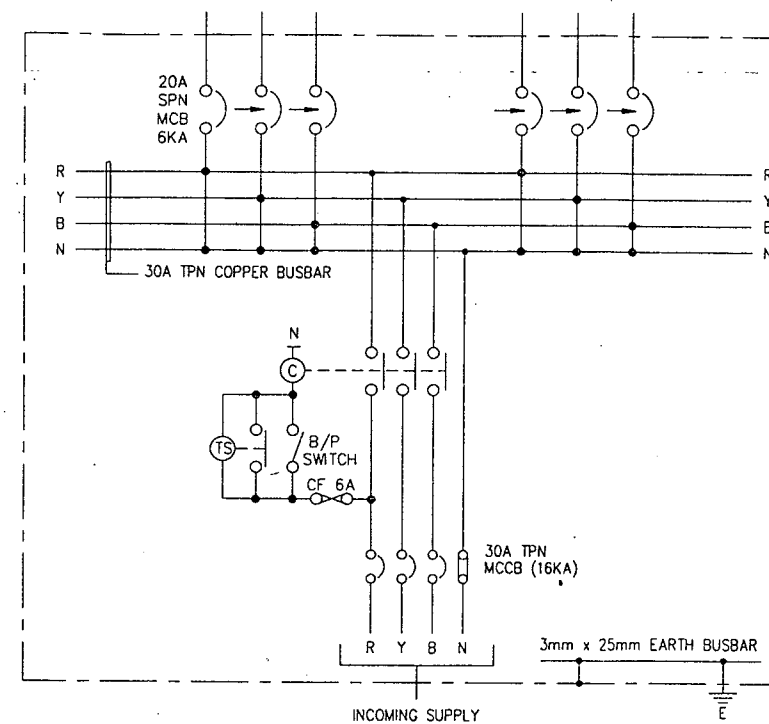
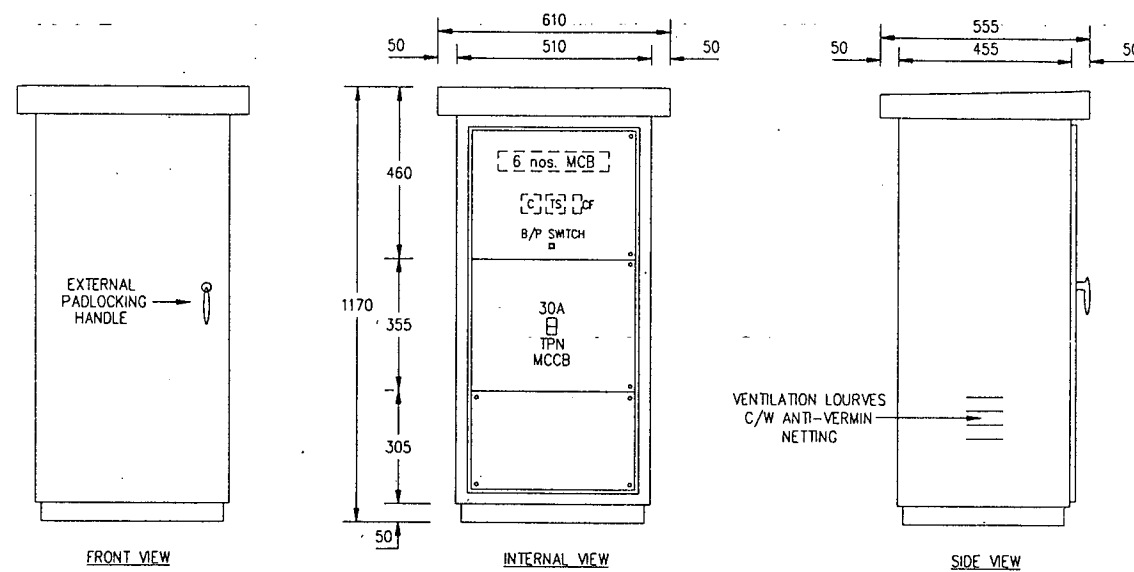
ELECTRICAL CONTRACTOR: SINAR LETRIK KEPONG SDN BHD NO.29, JALAN PJS 11/18, BANDAR SUNWAY, 46150 SELANGOR. TEL : 7318848 FAX : 7316108		CONSULTANT PERUNDING HASHIM & NEH SDN BHD. JURUTERA PERUNDING 62 & 63, JALAN SS2/72, 47300 PETALING JAYA, SELANGOR D.E. TEL : 7555088 FAX : 7555924		PROJECT: CADANGAN PEMBANGUNAN KOMPLEKS BARU INSTITUT KEJURUTERAAN TEKNOLOGI TENAGA NATIONAL (IKATAN) DI ATAS LOT PT 572,573,1164-1174 DAN DI SEBAHAGIAN LOT PT 559,566-570,1050,1051,1054 & 1413.MUKIM DENGKIL, BANGI, SELANGOR D.E. UNTUK TETUAN T.N.B.		MANUFACTURER: SUNCO SWITCHGEARS SDN. BHD. LOT NO. 14236, 6 1/2 MILES, JALAN PUCHONG, 58200 KUALA LUMPUR. TEL. NO.: 7920711 FAX. NO.: 7926867	
DRAWN: K S LOOI	DESIGNED:	DATE: 8/2/96	DATE OF ISSUED:	DRAWING TITLE: GENERAL ARRANGEMENT & SCHEMATIC DIAGRAM FOR CHANGEOVER PANEL (NEW PLANT ROOM BUILDING)		JOB NO.: ST 689/11/95	
CHECKED:	APPROVED:	SCALE: 1 TO 20	NO. OF SET:	ACAD REF.: 9615-67	DRAWING NO.: SB 015/2/96-67		



DB CHT

(FLOOR STANDING WEATHERPROOF TYPE)

ELECTRICAL CONTRACTOR: SINAR LETRIK KEPONG SDN BHD NO.29, JALAN PJS 11/18, BANDAR SUNWAY, 46150 SELANGOR. TEL : 7318848 FAX : 7316108		CONSULTANT PERUNDING HASHIM & NEH SDN BHD. JURUTERA PERUNDING 62 & 63, JALAN SS2/72, 47300 PETALING JAYA, SELANGOR D.E. TEL : 7555088 FAX : 7555924		PROJECT: CADANGAN PEMBANGUNAN KOMPLEKS BARU INSTITUT KEJURUTERAAN TEKNOLOGI TENAGA NATIONAL (IKATAN) DI ATAS LOT PT 572,573,1164-1174 DAN DI SEBAHAGIAN LOT PT 559,566-570,1050,1051,1054 & 1413.MUKIM DENGKIL, BANGI, SELANGOR D.E. UNTUK TETUAN T.N.B.		MANUFACTURER: SUNCO SWITCHGEARS SDN. BHD. LOT NO. 14236, 6 1/2 MILES, JALAN PUCHONG, 58200 KUALA LUMPUR. TEL. NO.: 7920711 FAX. NO.: 7926867	
DRAWN: K S LOOI	DESIGNED:	DATE: 14/5/96	DATE OF ISSUED:	DRAWING TITLE: GENERAL ARRANGEMENT & SCHEMATIC DIAGRAM FOR DB CHT		JOB NO.: ST 689/11/95	
CHECKED:	APPROVED:	SCALE: 1 TO 20	NO. OF SET:			ACAD REF.: 9615-68	DRAWING NO.: SB 015/2/96-68



FEEDER PILLAR CL 1

(FLOOR STANDING WETHERPROOF TYPE)

ELECTRICAL CONTRACTOR: SINAR LETRIK KEPONG SDN BHD NO.29, JALAN PJS 11/18, BANDAR SUNWAY, 46150 SELANGOR. TEL : 7318848 FAX : 7316108		CONSULTANT PERUNDING HASHIM & NEH SDN BHD. JURUTERA PERUNDING 62 & 63, JALAN SS2/72, 47300 PETALING JAYA, SELANGOR D.E. TEL : 7555088 FAX : 7555924		PROJECT: CADANGAN PEMBANGUNAN KOMPLEKS BARU INSTITUT KEJURUTERAAN TEKNOLOGI TENAGA NATIONAL (IKATAN) DI ATAS LOT PT 572,573,1164-1174 DAN DI SEBAHAGIAN LOT PT 559,566-570,1050,1051,1054 & 1413.MUKIM DENGKIL, BANGI, SELANGOR D.E. UNTUK TETUAN T.N.B.		MANUFACTURER: SUNCO SWITCHGEARS SDN. BHD. LOT NO. 14236, 6 1/2 MILES, JALAN PUCHONG, 58200. KUALA LUMPUR. TEL. NO.: 7920711 FAX. NO.: 7926867	
DRAWN: K S LOOI	DESIGNED:	DATE: 8/2/96	DATE OF ISSUED:	DRAWING TITLE: GENERAL ARRANGEMENT & SCHEMATIC DIAGRAM FOR FEEDER PILLAR CL 1		JOB NO.: ST 689/11/95	
CHECKED:	APPROVED:	SCALE: 1 TO 20	NO. OF SET:			ACAD REF.: 9615-69	DRAWING NO.: SB 015/2/96-69

LEGEND.	DESCRIPTIONS :	PART.NO.:	MFG.BY.:
ACB	AIR CIRCUIT BREAKER	FIN	ABB
IDMT E/F & O/C	IDMT EARTH FAULT & OVER CURRENT RELAY	SPAJ 140C	ABB
MCB	MINIATURE CIRCUIT BREAKER	S 231	ABB
MCCB	MOULDED CASE CIRCUIT BREAKER	S'SERIES'	ABB
AS	AMMETER SELECTOR SWITCH.	SN3AC.	SEIKO.
VS.	VOLTMETER SELECTOR SWITCH.	SN3VC.	SEIKO.
A	AMMETER.	EQ96.	IME
V.	VOLTMETER.	EQ96.	IME
PF.	POWER FACTOR METER.	DPQ96.	IME
Hz.	FREQUENCY METER.	EQ96.	IME
Hr.	HOUR RUN METER.	TP48	IME
KW	KILOWATT METER.	RQW96DT	IME
KWH.	KILOWATT HOUR METER.	ET411B.	KRIZIK.
○r,y,b	PHASE INDICATING LIGHT.	XB2'SERIES'	TELEMECANIQUE
○'MAIN ON'.	MAIN ON INDICATING LIGHT.	XB2'SERIES'	TELEMECANIQUE
○'GEN.ON'.	GENERATOR ON INDICATING LIGHT.	XB2'SERIES'	TELEMECANIQUE
⚡	CAPACITOR BANK	MKP'SERIES'	RODERSTEIN
C/O/C.	CHANGE OVER CONTACTOR.	MZ'SERIES'	KYORITSU
CT's.	CURRENT TRANSFORMER. (protection).	CLASS 10P10.	BMAX.
CT's.	CURRENT TRANSFORMER. (metering)	CLASS. 1	BMAX.
∞	EXHAUST FAN.	FV25 AUM1	NATIONAL
PFR	POWER FACTOR REGULATOR		CIRCUTOR
CONT.	CONTACTOR	S 'SERIES'	FUJI
ELCB	EARTH LEAKAGE CIRCUIT BREAKER	FIN 0.3	F & G
TS	TIME SWITCH	QRT	GRASSLIN
B/P SWITCH	BY PASS SWITCH	5A	CLIPSAL
F/S	FUSE SWITCH	SILAT-BS	PETERREINS
ELR	EARTH LEAKAGE RELAY	EM 302	KASUGA
SS	SURGE SUPPRESSOR	FLT 60-400	FLASHTRAB
AFR	ALTERNATOR FAIL RELAY	LY4	OMROM
MCR	MAIN CHANGE OVER RELAY	MK 3PI	OMROM
FR	FAIL RELAY	MK 3PI	OMROM
SR	START RELAY	MK 3PI	OMROM
FSM	FUEL SOLENOID MONITOR RELAY	MK 3PI	OMROM
GCR	GENERATOR CHANGE OVER RELAY	MK 3PI	OMROM
LOP	LOW OIL PRESSURE FAIL RELAY	MK 3PI	OMROM
HWT	HIGH WATER TEMPERATURE FAIL RELAY	MK 3PI	OMROM
OS	OVER SPEED RELAY	MK 3PI	OMROM
FSR	LOW FUEL LEVER FAIL RELAY	MK 3PI	OMROM
ACR	ALARM CANCEL RELAY	MK 3PI	OMROM

LEGEND.	DESCRIPTIONS :	PART.NO.:	MFG.BY.:
FC	FAULT CHECK RELAY	MK 3PI	OMROM
TD	POWER FAIL START TIMER	MK 3PI	OMROM
SDT	SHUNT DOWN TIME	H 3G	OMRON
GCT	GENERATOR CHANGE-OVER TIMER	H 3G	OMRON
CC	CRANKING CARD	CC24	ENERGY
DA	DC AMMETER		REVALCO
DV	DC VOLTMETER		REVALCO

RATING	CABLE SIZES
10A	2 X 2.5 sq.mm PVC CABLE.
20A	4 X 4 sq.mm PVC CABLE.
30A	4 X 6 sq.mm PVC CABLE.
50A	4 X 16 sq.mm PVC CABLE.
60A	4 X 16 sq.mm PVC CABLE.
100A	4 X 35 sq.mm PVC CABLE.
125A	4 X 50 sq.mm PVC CABLE.
150A	4 X 70 sq.mm PVC CABLE.
200A	4 X 95 sq.mm PVC CABLE.
250A	4 X 120 sq.mm PVC CABLE.
300A	4 X 150 sq.mm PVC CABLE.

THICKNESS OF ELECTRO-GALVANISED PLATE: -
MSB: -
FRAME: - 12 swg.
OTHERS: - 14 swg.
SSB: -
FRAME: - 14 swg.
OTHERS: - 16 swg.

RATING	COPPER BUSBAR SIZES
60A	1 no. 3mm X 25mm per phase & neutral
100A	1 no. 3mm X 25mm per phase & neutral
125A	1 no. 5mm X 25mm per phase & neutral
150A	1 no. 5mm X 25mm per phase & neutral
200A	1 no. 6mm X 25mm per phase & neutral
250A	1 no. 6mm X 25mm per phase & neutral
300A	1 no. 6mm X 30mm per phase & neutral
400A	1 no. 6mm X 40mm per phase & neutral
500A	1 no. 6mm X 60mm per phase & neutral
600A	1 no. 6mm X 60mm per phase & neutral
800A	1 no. 6mm X 75mm per phase & neutral
1000A	1 no. 6mm X 100mm per phase & neutral
1600A	2 no. 6mm X 75mm per phase & neutral

FINISHING: -
1) PHOSPHATE TREATING (RUST REMOVAL)
2) RUST PREVENTIVE
3) ELECTROSTATIC WITH EPOXY POWDER PAINT
(PR 11/946 CW9)

ELECTRICAL CONTRACTOR: - SINAR LETRIK KEPONG SDN BHD NO.29,JALAN PJS 11/18, BANDAR SUNWAY, 46150 SELANGOR. TEL : 7318848 FAX : 7316108		CONSULTANT PERUNDING HASHIM & NEH SDN BHD. JURUTERA PERUNDING 62 & 63,JALAN SS2/72, 47300 PETALING JAYA,SELANGOR D.E. TEL : 7555088 FAX : 7555924		PROJECT: CADANGAN PEMBANGUNAN KOMPLEKS BARU INSTITUT KEJURUTERAAN TEKNOLOGI TENAGA NATIONAL (IKATAN) DI ATAS LOT PT 572,573,1164-1174 DAN DI SEBAHAGIAN LOT PT 559,566-570,1050,1051,1054 & 1413.MUKIM DENGKIL,BANGI,SELANGOR D.E. UNTUK TETUAN T.N.B.		MANUFACTURER: SUNCO SWITCHGEARS SDN. BHD. LOT NO. 14236, 6 1/2 MILES, JALAN PUCHONG, 58200 KUALA LUMPUR. TEL. NO.: 7920711 FAX. NO.: 7926867	
DRAWN: K S LOOI	DESIGNED:	DATE: 8/2/96	DATE OF ISSUED:	DRAWING TITLE: LEGEND,CABLE SIZES & COPPER BUSBAR SIZES		JOB NO.: ST 689/11/95	
CHECKED:	APPROVED:	SCALE: N.T.S	NO. OF SET: 58 OF 58			ACAD REF.: 9615-58	DRAWING NO.: SB 015/2/96-58

ITEM 1.C.

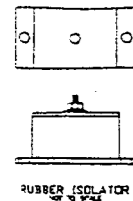
MULTI-B MF & MINI HITACHI BUS DUCT LAYOUT

**DRAWING NO :- MJ/KIB/M079/NO.1 to
MJ/KIB/M079/NO.3**

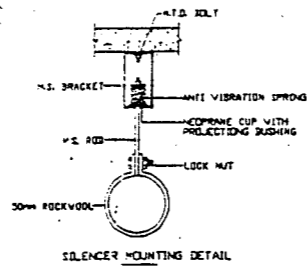
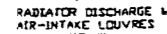
ITEM 1.E.

**GENSET ROOM LAYOUT FOR 1 x 250KVA STANDBY
GENSET CUMMINS MODEL LTA 10-GC/GS3 WITH
ACOUSTIC TREATMENT**

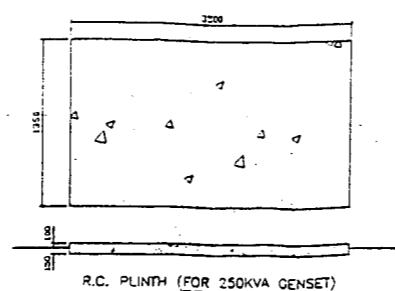
DRAWING NO :- ST 172/96



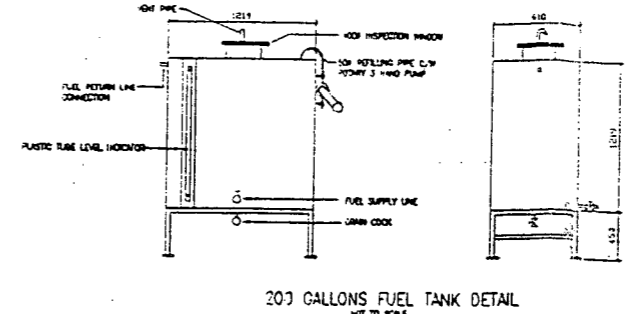
RUBBER ISOLATOR



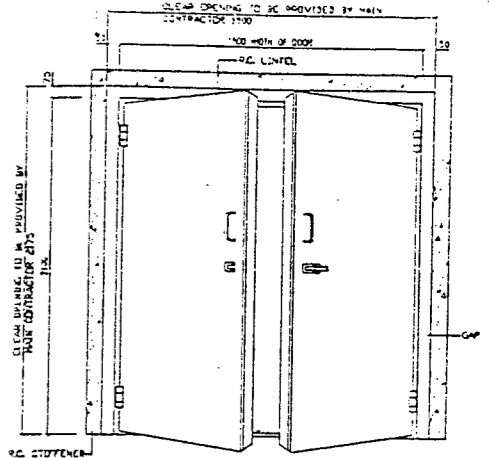
SILENCER MOUNTING DETAIL



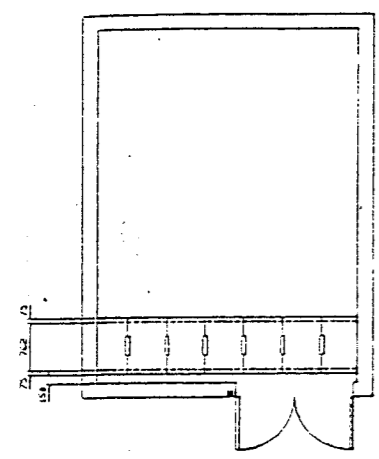
R.C. PLINTH (FOR 250KVA GENSET)



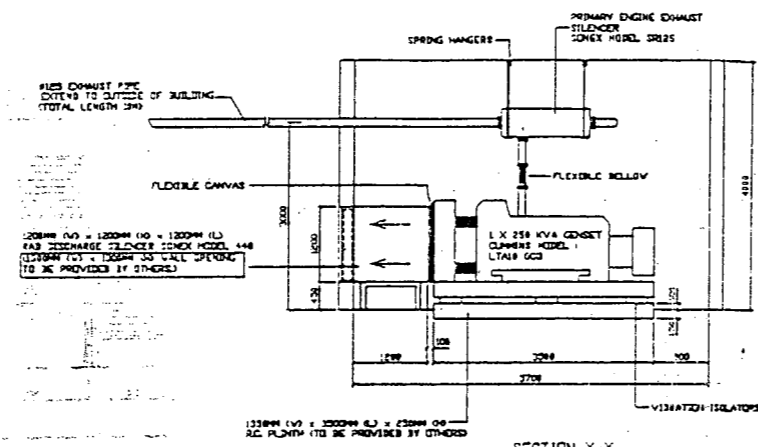
200 GALLONS FUEL TANK DETAIL



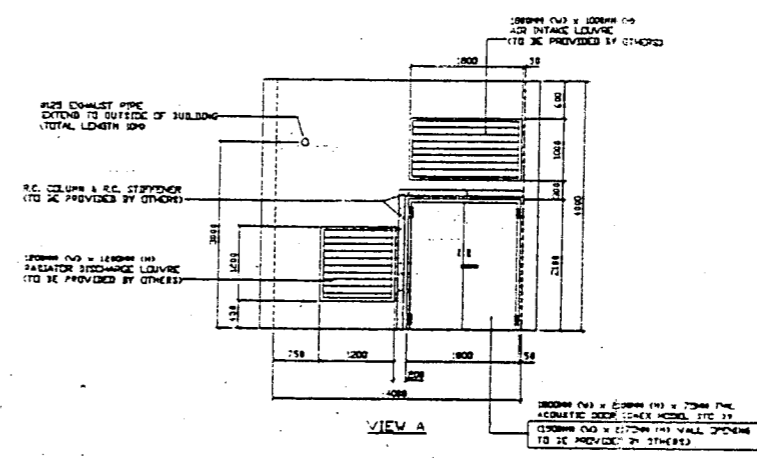
ACOUSTIC DOOR (DOUBLE LEAF)
SONEX MODEL : STC 39



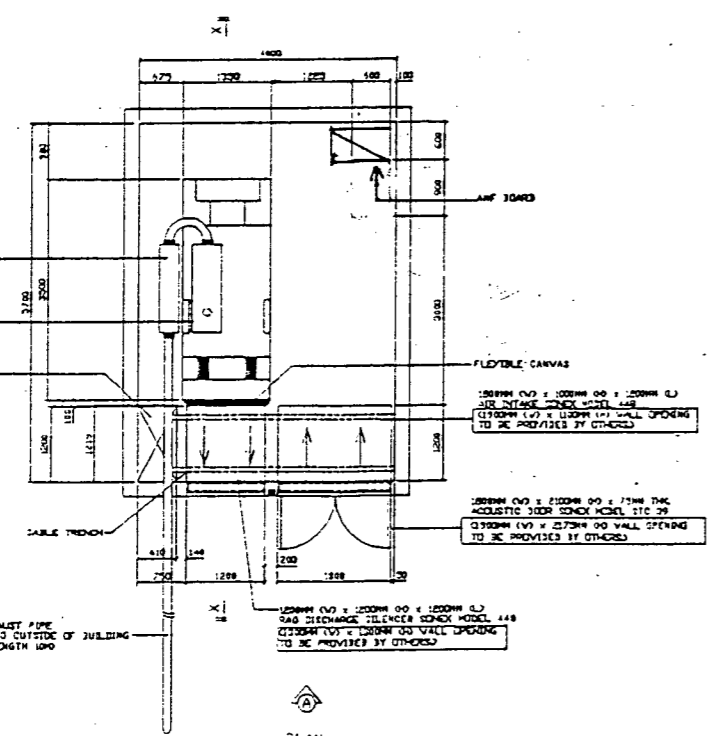
LOCATION OF CABLE TRENCH



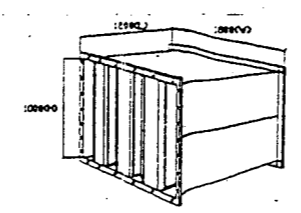
SECTION X-X



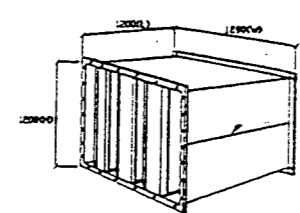
VIEW A



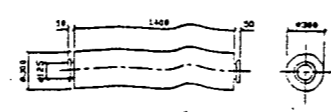
21.2A



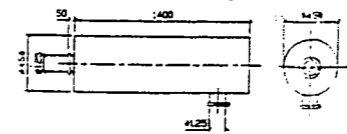
TYPICAL PERSPECTIVE VIEW OF AIR INTAKE SILENCER (SONEX MODEL : 448)



TYPICAL PERSPECTIVE VIEW OF RAD. DISCHARGE SILENCER (SONEX MODEL : 448)

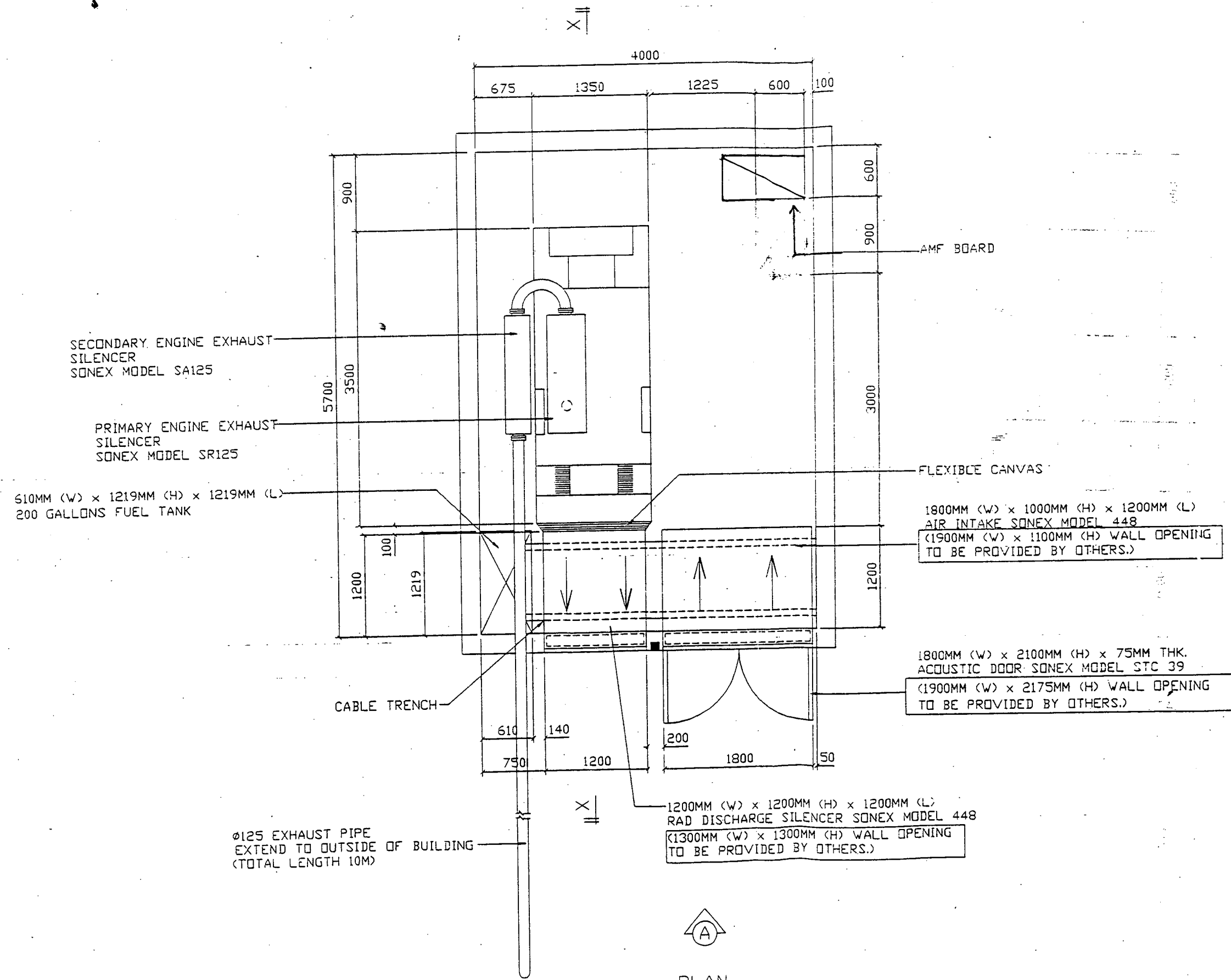


SECONDARY ENGINE EXHAUST SILENCER (SONEX MODEL 3825)

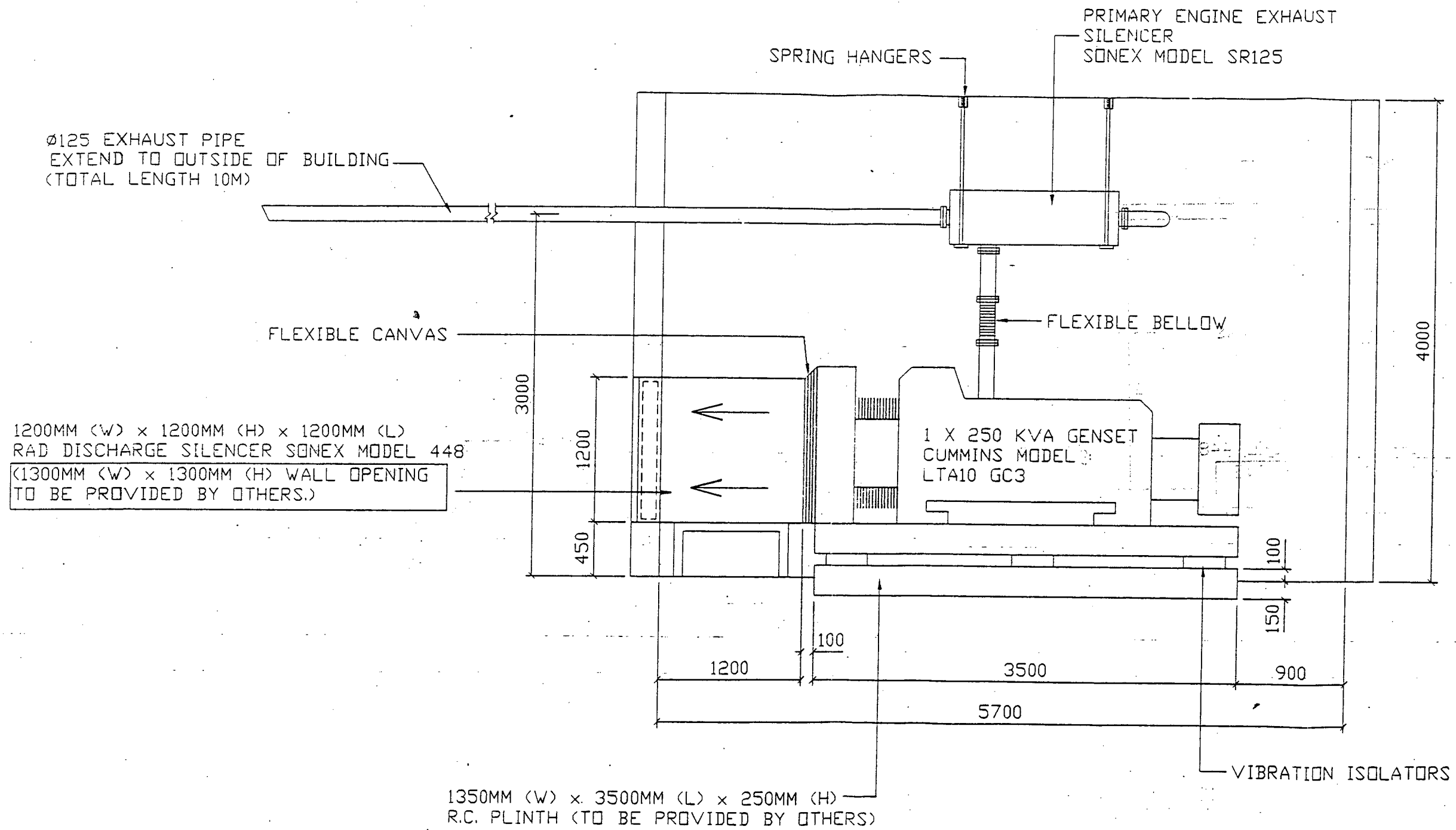


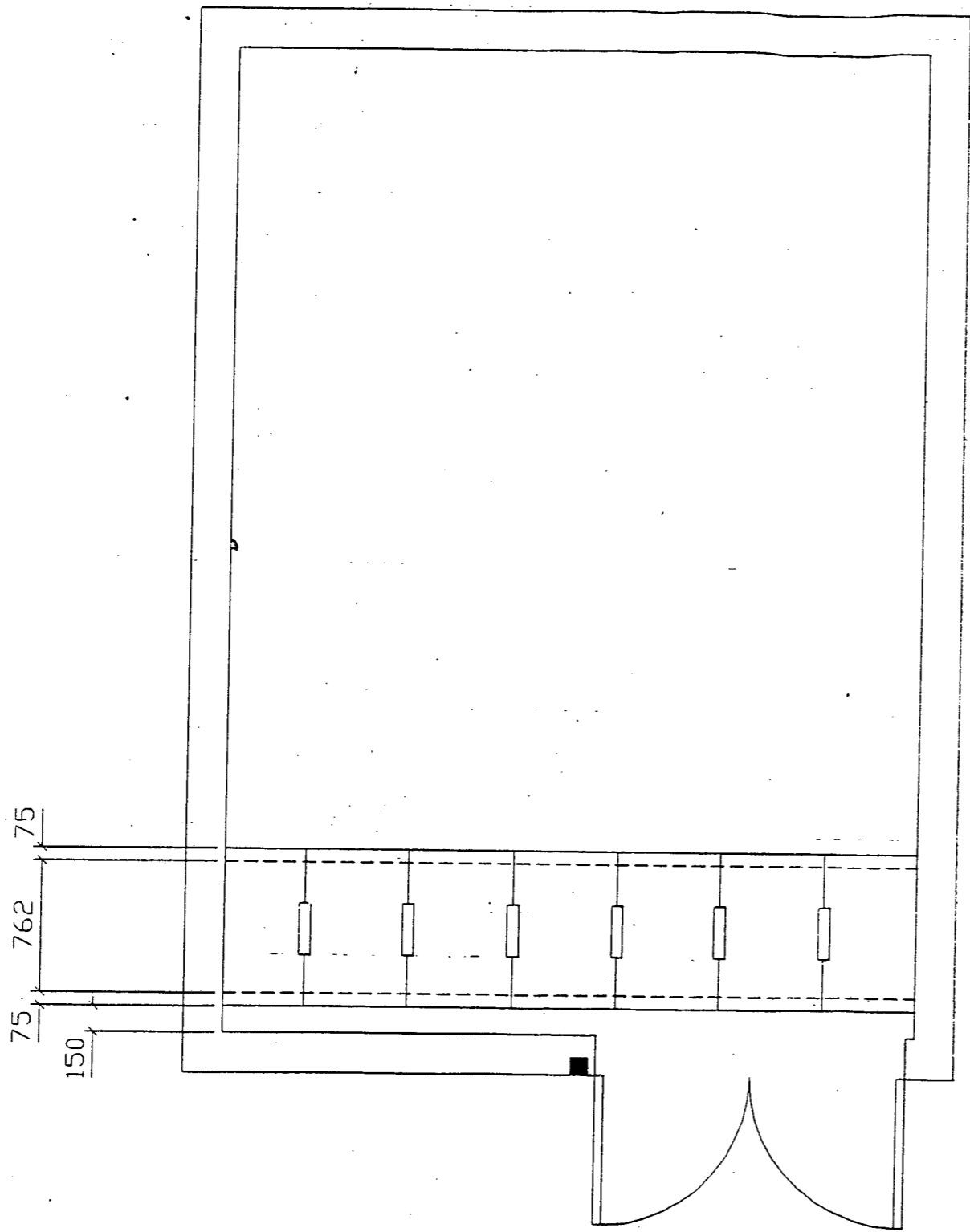
PRIMARY ENGINE EXHAUST SILENCER (SONEX MODEL 3825)

PROJECT	KATAN
OWNER	TENAGA NASIONAL BERHAD
M & E CONSULTANT	PERUNDING HASHIM & NEH SDN. BHD.
MECHANICAL DESIGNER	SEKATA TEKNIK SDN. BHD. 29, JALAN MALINI BAHARU 2/3A, TAMAN OVERSEAS LINCRA, OFF JALAN KUALA LUMPUR, SEKING KUALA LUMPUR, MALAYSIA. TEL : 03-738088, 731886 FAX : 03-738088
ELECTRICAL CONTRACTOR	LETRIK SINAR KEPONG SDN. BHD.
GENSET SUPPLIER	SCOTT & ENGLISH (M) SDN. BHD.
DRAWING TITLE	GENSET ROOM LAYOUT FOR 1 X 250KVA STANDBY GENSET CUMMINS MODEL LTAL1003 WITH ACOUSTIC TREATMENT
DRAWN BY : MYV	SCALE : 1:50
CHECKED BY : MYV	DATE : MARCH 1996
DRAWING NO. : ST 172/96	

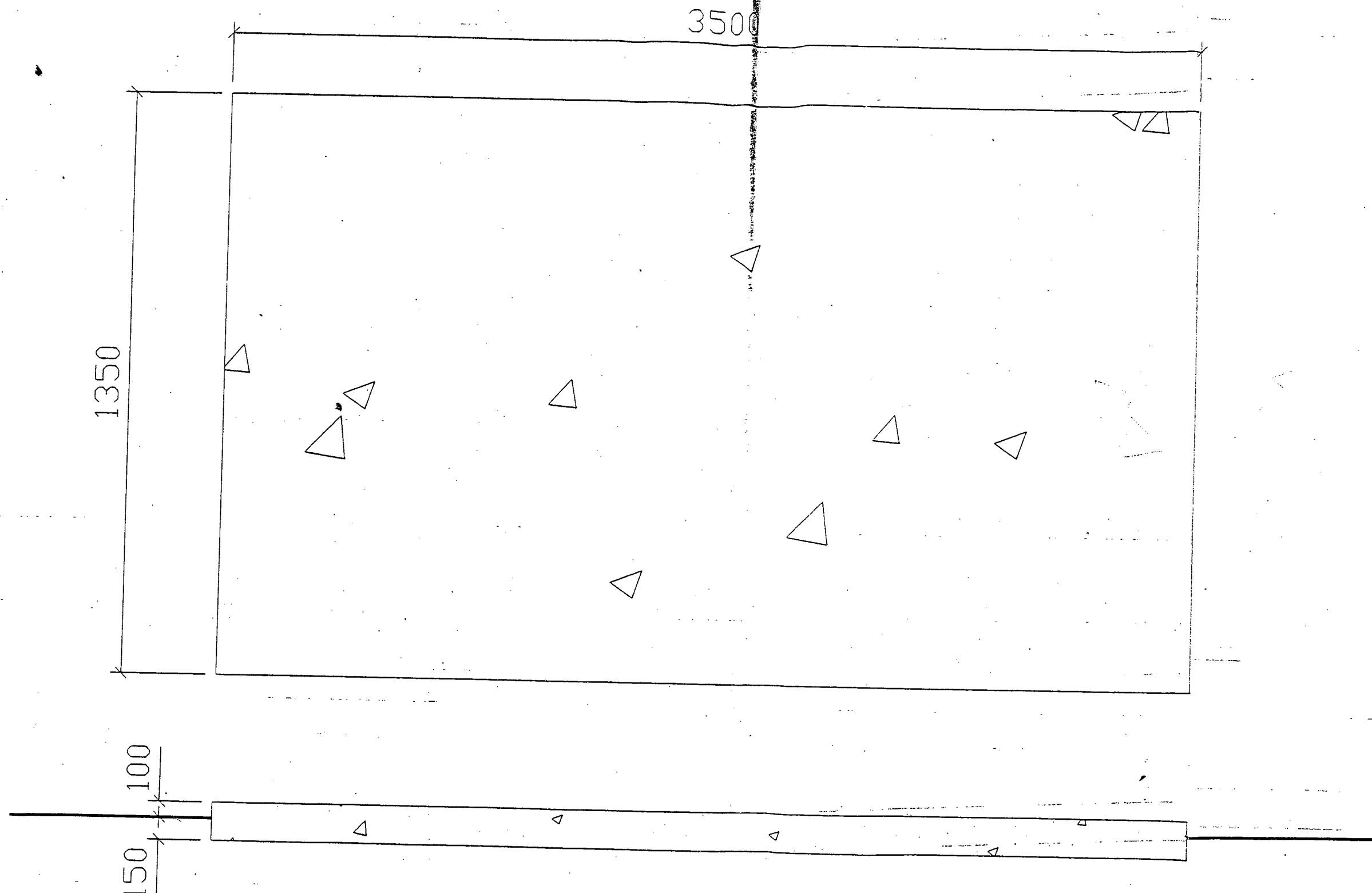


PLAN





LOCATION OF CABLE TRENCH



R.C. PLINTH (FOR 250KVA GENSET)
NOT TO SCALE